

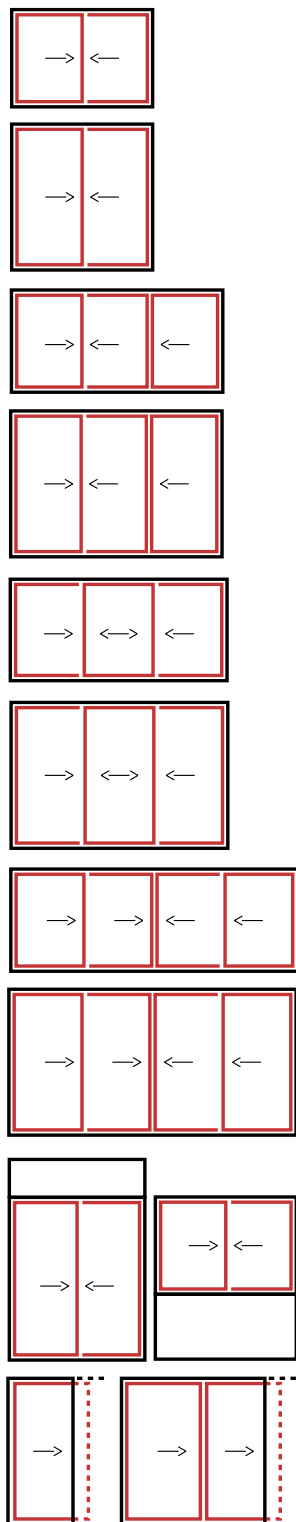
# Saphir

Edition 3<sup>th</sup> quarter 2006

## GX-GXi

■	Product concept	P. 2
■	Performance	P. 6
■	Inertia values	P. 12
■	Applications	P. 20
	<b>GX: standard</b>	
	2-leaf window	P. 20
	2-leaf patio door	P. 22
	3-leaf dependent window and patio door	P. 24
	3-leaf independent window and patio door	P. 26
	4-leaf window and patio door	P. 28
	3-leaf. 3-rail window and patio door	P. 30
	6-leaf. 3-rail window and patio door	P. 32
	2-leaf window on bottom fixed light	P. 34
	Fully retractable opening frames	P. 36 to 47
	<b>Gxi: thermal-break</b>	
	2-leaf window	P. 48
	2-leaf patio door	P. 49
	3-leaf dependent window and patio door	P. 50
	3-leaf independent window and patio door	P. 52
	4-leaf window and patio door	P. 54
	3-leaf. 3-rail window and patio door	P. 56
	6-leaf. 3-rail window and patio door	P. 58
	2-leaf window on bottom fixed light	P. 60
■	Options	P. 62
■	Infill volumes	P. 83
■	Installation examples	P. 90
■	Accessory summary	P. 102
■	Tool summary	P. 106
■	Profile summary	P. 107
■	Numerical index	P. 120

## Product concept GX



### OUTER FRAME

■ **Profiles:**

Tubular peripheral rails with or without guttering:

- 2 rails: 52mm module
- 3 rails: 101mm module

■ **Assembly:**

- Mitre-cut, using pin or crimp corner cleats
- Concealed lower rail drainage through machined holes (Perfopack tool) with weep hole covers.

■ **Options:**

- Outer frame with integrated architrave
- Groove-free outer frames. FX integration outer frame.
- Stainless, aluminium or polyamide roller tracking. Rebated guttering.

### OPENING FRAME

■ **Profiles:**

32.6mm transom and 39.5mm mullion. Standard mullion for window (45mm depth). reinforced 81mm mullion for patio door, outer frame central mullion overall width 41mm for optimal sight lines.

■ **Assembly:**

Square cut. transoms slotting into mullions. Stainless screws.

■ **Infill volume:**

EPDM marine quality U gaskets, pre-drained. 6-24mm glass.

■ **Weathering:**

Double barrier consisting of brush gaskets with central blade for reinforced waterproofing. Machined drainage for lower transom.

■ **Options:**

- Baffle for multi-leaved modules
- Intermediate transom. Rebated drip mould profile for exposed sites, acoustic gasket.

### ROLLERS

Polyamide-flanged and -hooped rollers on needle bearings, replaceable without dismantling leaf.

4 roller types, single, double, standard or adjustable.

Max. weight per leaf:

- 2 single rollers: 100kg (60kg on polyamide rail)
- 2 double rollers: 200kg (120kg on polyamide rail)

### CLOSING MECHANISMS

- Half-moon 1-point closing mechanism with pull handle.
- Manual closing mechanism with mullion-integrated thumb pull and foolproofing mechanism.
- Single inside thumb pull closing mechanism.
- Double inside/outside thumb pull closing mechanism.
- Double keyed thumb pull closing mechanism (outside cylinder)
- Automatic thumb pull closing mechanism.

■ **Options:**

- Open/close thumb pull.
- Filled or open pull handle. Pass-keyed closing mechanisms.
- 2 and 3-point security closing mechanisms.

### INSTALLATION

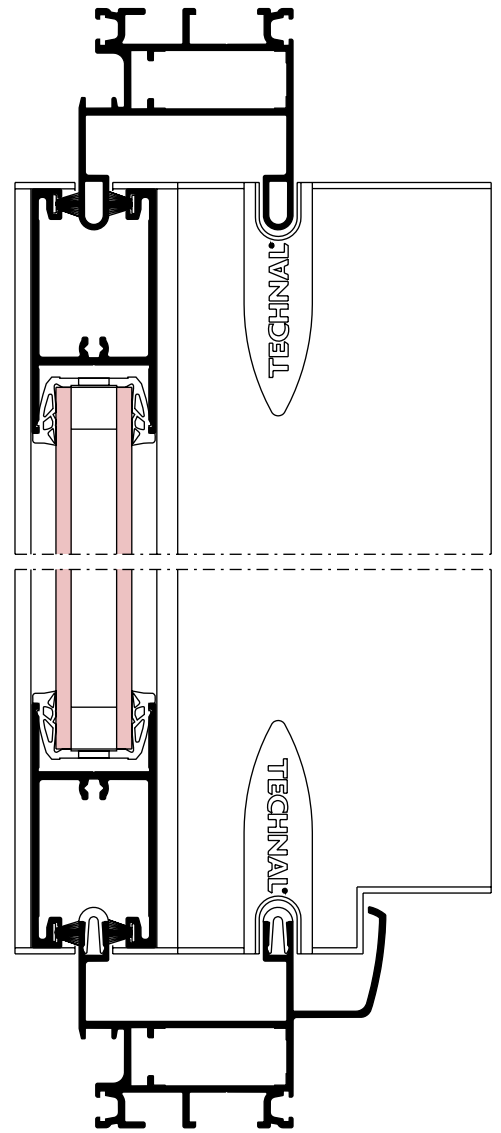
Adjustable jack screws.

- Flashing to accommodate 80-160mm lining
- Outer frame with integrated pre-frame for 100mm lining
- Single-piece inside sill for offset sill-mounted 100mm and 120mm lining.

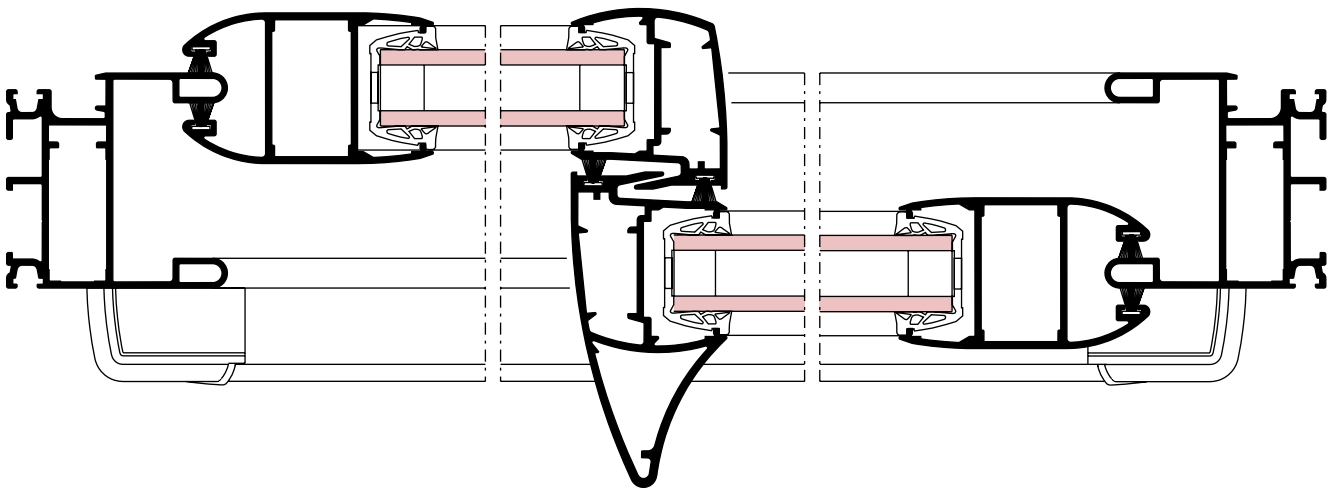
### TOOLS

- 1 Perfopack for outer frame punching.
- 1 Perfopack for drainage machining
- 1 Perfopack for jamb machining

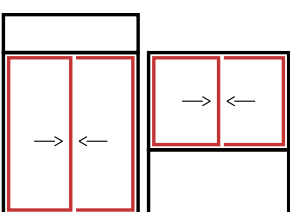
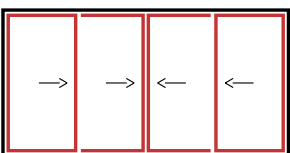
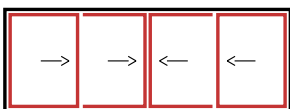
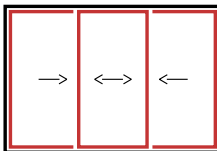
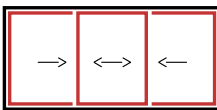
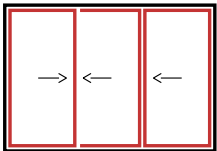
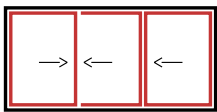
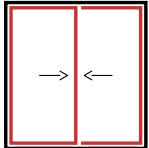
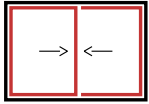
Vertical section 1/2 scale



Horizontal section 1/2 scale



## Product concept GXi



### OUTER FRAME

■ **Thermal-break:**

Achieved using glass fibre reinforced double polyamide strip crimped onto 2 aluminium profiles (9mm-wide break).

■ **Profiles:**

Tubular peripheral rails with or without guttering:

- 2 rails: 52mm module
- 3 rails: 101mm module

■ **Assembly:**

- Mitre-cut, using pin or crimp corner cleats
- Concealed lower rail drainage through machined holes (Perfopack tool) with weep hole covers.

■ **Options:**

- Outer frame with integrated architrave
- Groove-free outer frames.
- Stainless roller tracking.

### OPENING FRAME

■ **Thermal-break:**

Centrally, a polyamide profile mounted on each central mullion profile acts as a thermal shield. Glass fibre reinforced double polyamide strips crimped onto 2 aluminium profiles ensure break on transoms (9mm-wide break) and on side mullions (10mm-wide break).

■ **Profiles:**

32.6mm transom and 39.5mm mullion. Standard mullion for window (45mm depth), reinforced 81mm mullion for patio door, outer frame central mullion overall width 41mm for optimal sight lines.

■ **Assembly:**

Square cut. transoms slotting into mullions. Stainless screws.

■ **Infill volumes:**

Marine quality EPDM U gaskets. 14-24mm double glazing.

Weathering: double barrier consisting of brush gaskets with reinforced central blade.

■ **Weathering:**

Drainage by lower transom drilling.

■ **Options:**

- Baffle for multi-leaved modules
- Intermediate transom. Rebated drip mould profile for exposed sites, acoustic gasket.

### ACCESSORIES

■ **Rollers:**

- Polyamide-hooped rollers mounted on needle bearings for leaf loads of up to 100kg (single roller) or 200kg (double roller)
- Single or double polyamide-flanged rollers, standard or adjustable.
- Rollers can be changed without dismantling leaves.

■ **Closing mechanisms:**

- Half-moon 1-point closing mechanism with pull handle.
- Manual closing mechanism with mullion-integrated thumb pull and foolproofing mechanism.
- Single inside thumb pull closing mechanism.
- Double inside/outside thumb pull closing mechanism.
- Double keyed thumb pull closing mechanism (outside cylinder)
- Automatic thumb pull closing mechanism.

■ **Options:**

- Open/close thumb pull.
- Filled or open pull handle. Pass-keyed closing mechanisms.
- 2 and 3-point security closing mechanisms.

### INSTALLATION

Adjustable jack screws.

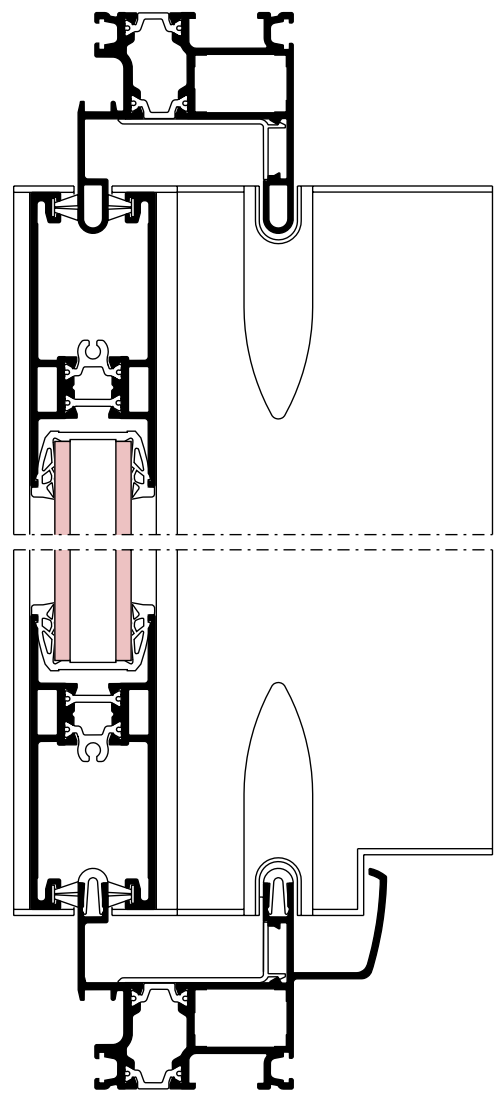
- Flashing to accommodate 80-160mm lining
- Single-piece inside sill for offset sill-mounted 100mm and 120mm lining.

### TOOLS

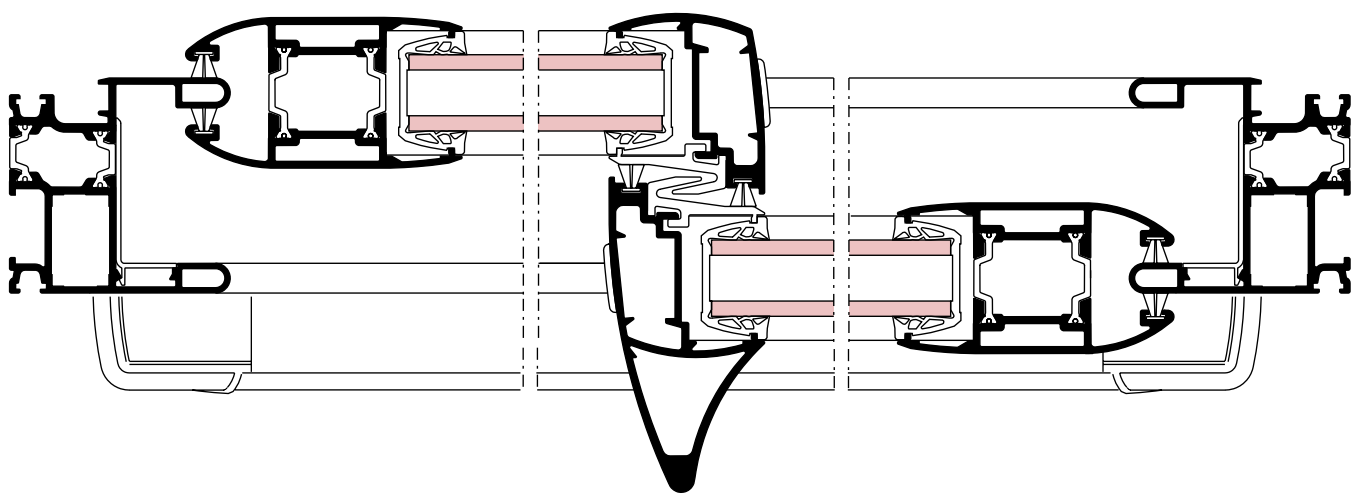
- 1 Perfopack for outer frame punching.
- 1 Perfopack for drainage machining
- 1 Perfopack for jamb machining



Vertical section 1/2 scale



Horizontal section 1/2 scale



**Performance**

**Weathering and durability performance**

■ **GX Weathering performance (wind, air and water):**

A.E.V.:    **A = Air permeability**    **EN12207**  
               **E = Water permeability**    **EN12208**  
               **V = Wind resistance**        **EN12210**

Type	Test report n°	Classification
2-leaf window H= 1.42 W= 1.41	CEBTP certificate N°E213-8-078	A3 - EE - VE
2-leaf patio door H = 2.15 W = 1.80 (1 reinforced central mullion FG029)	CEBTP certificate N° E223-01-024	A* <sub>3</sub> - E* <sub>A7</sub> - V* <sub>C3</sub>
2-leaf patio door H = 2.25 W = 2.80 (1 reinforced central mullion FG029)	CEBTP certificate N° E213-8-077	A3 - E3 - V2
2-leaf patio door H = 2.25 W = 2.80 (2 reinforced central mullions FG029)	Test agreement SOCOTEC R.0598/14	A3 - E3 - VE
Patio door with 3 independent leaves H = 2.25 W = 3.00	CEBTP certificate N° E213-8-079	A3 - E2 - V2
Patio door with 3 leaves and 3 rails H = 2.25 W = 3.00	CEBTP certificate N° E213-8-082	A3 - EE - V2

■ **GX Acoustic performance:**

Measures taken using standards NF S31-051 – EN ISO 140 - EN ISO 717  
 2-leaf window frame dimensions H= 1480 x W = 1470

Applications	Glass	Gaskets	Alternative	Test report n°	Sound insulation Results dB		
					Surrounding sound R <sub>A, tr</sub>	Traffic Sound R <sub>A</sub>	RW
Standard outer frame	<b>38 - 23</b>	Sliding	Weathering set	<b>625329</b>	<b>33</b>	<b>32</b>	<b>33</b>
Standard outer frame	<b>35 - 20</b>	Sliding	Weathering set	<b>625331</b>	<b>33</b>	<b>31</b>	<b>33</b>
Standard outer frame	<b>4.12.4</b>	Sliding	Weathering set	<b>625328</b>	<b>31</b>	<b>29</b>	<b>31</b>
Standard outer frame	<b>4.12.4</b>	Brush		<b>625330</b>	<b>31</b>	<b>29</b>	<b>31</b>
Styled outer frame	<b>38 - 23</b>	Sliding	Weathering set	<b>625325</b>	<b>35</b>	<b>33</b>	<b>35</b>
Styled outer frame	<b>35 - 20</b>	Sliding	Weathering set	<b>625326</b>	<b>34</b>	<b>33</b>	<b>34</b>

■ **GXi Weathering performance (wind, air and water):**

A.E.V.:    **A** = Air permeability    **EN12207**  
               **E** = Water permeability    **EN12208**  
               **V** = Wind resistance        **EN12210**

Type	Test report n°	Classification
2-leaf window H = 1.42 W = 1.41	CEBTP certificate E213.8.076	A3 - EE - VE
2-leaf window H = 1.42 W = 1.41	CEBTP certificate E223.01.011	A* <sub>3</sub> - E*A <sub>7</sub> - V*C <sub>4</sub>
2-leaf patio door H = 2.15 W = 1.80	CEBTP certificate E223.01.023	A* <sub>3</sub> - E*A <sub>6</sub> - V*B <sub>3</sub>
Patio door with 3 independent leaves H = 2.25 W = 3.00	Internal test 0298/24	A3 - E3 - V2
Patio door with 3 leaves and 3 rails H = 2.25 W = 3.00	Internal test 0298/29	A3 - E3 - V2
Composite GXi/Fxi H = 2.15 W = 1.65	CEBTP certificate E223.01.012	A* <sub>3</sub> - E*A <sub>6</sub> - V*C <sub>4</sub>
Composite GXi/Fxi H = 2.40 W = 1.50	Internal test 0298/20	A3 - E3 - V2

■ **GXi Acoustic performance:**

Measures taken using standards NF S31-051 – EN ISO 140 - EN ISO 717  
 2-leaf window frame dimensions H= 1480 x W = 1470

Applications	Glass	Gaskets	Alternative	Test report n°	Sound insulation Results dB		
					Surrounding sound R <sub>A, tr</sub>	Sound Traffic R <sub>A</sub>	RW
Standard outer frame	<b>38-23</b>	Sliding	Weathering set	<b>PV n° 625273</b>	<b>34</b>	<b>33</b>	<b>34</b>
Standard outer frame	<b>35-20</b>	Sliding	Weathering set	<b>PV n° 625274</b>	<b>34</b>	<b>32</b>	<b>33</b>
Standard outer frame	<b>4-12-4</b>	Sliding	Weathering set	<b>PV n° 625275</b>	<b>30</b>	<b>29</b>	<b>31</b>
Standard outer frame	<b>4-12-4</b>	Brush	Weathering set	<b>PV n° 625276</b>	<b>30</b>	<b>29</b>	<b>30</b>
Standard outer frame	<b>4-12-4</b>	Brush		<b>PV n° 625277</b>	<b>29</b>	<b>28</b>	<b>30</b>
Styled outer frame	<b>38-23</b>	Sliding	Weathering set	<b>PV n° 625278</b>	<b>35</b>	<b>33</b>	<b>35</b>
Styled outer frame	<b>35-20</b>	Sliding	Weathering set	<b>PV n° 625280</b>	<b>34</b>	<b>33</b>	<b>34</b>
Styled outer frame	<b>4-12-4</b>	Sliding	Weathering set	<b>PV n° 625281</b>	<b>31</b>	<b>30</b>	<b>32</b>

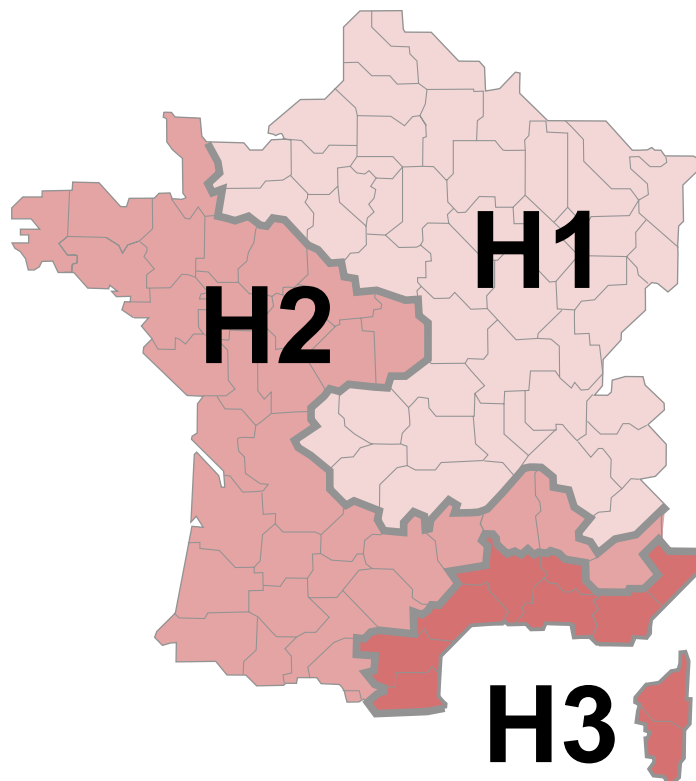
Performance

Thermal performance

■ Regulations

New building and renovations with planning permission		H1 - H2 Zone	H3 Zone
Reference values for window only	<b>Uw</b>	2.4	2.6
Reference values for window with shutter	<b>Ujn</b>	2.0	2.3
Maximum authorised values	<b>Uw</b>	2.9	
Maximum authorised values with compensation (walls, floors, roofing)	<b>Uw</b> <b>Ujn</b>	Acceptable thermal performance lies between reference values and 2.9	

*Uw and Ujn values certified by the CSTB: study ELT/HTO 2001-388*



■ Glass values

Glass	Ug-values according to glazing components Vertical glazing – certified emissivity according to ThU 2000 (EN 673)						Glazing solar factors		
	Emissivity	airspace thickness (mm)	Glazing U value with AIR airspace		Glazing Ug-value with 85% ARGON		g		
			Glass thickness		15% AIR airspace		Glass thickness		
Note: no certified emissivity < 0.05 at end 2001			4+4	4+10	4+4	4+10	4+4	6+6	
Clear standard	0.89	6	3.3				2.8	0.76	0.72
		8	3.1						
		10	2.9						
		12	2.8						
		14							
		16	2.7						
Sunergy (Glaverbel)	0.28	6	2.8	2.8	2.5	2.5		0.54	0.52
		8	2.5	2.5	2.2	2.2			
		10	2.3	2.3	2.1	2.1			
		12	2.2	2.2	2.0	1.9			
		14	2.1	2.0	1.9	1.8			
		16	2.0	2.0	1.8	1.8			
		18	2.0	2.0	1.8	1.8			
		20	2.0	2.0	1.9	1.8			
Eko Plus (SGG) K Glass (Pilkington) Planibel K Glass (Glaverbel)	0.16	6	2.7	2.6	2.3	2.3		0.69	0.65
		8	2.3	2.3	2.0	2.0			
		10	2.1	2.1	1.8	1.8			
		12	1.9	1.9	1.7	1.7			
		14	1.8	1.8	1.6	1.6			
		16	1.7	1.7	1.5	1.5			
		18	1.7	1.7	1.6	1.5			
		20	1.8	1.7	1.6	1.6			
Luxguard low e 1.1 Luxguard low e 1.3	0.10	6	2.6	2.5	2.2	2.2		0.65	
		8	2.2	2.2	1.9	1.9			
		10	2.0	2.0	1.7	1.7			
		12	1.8	1.8	1.5	1.5			
		14	1.7	1.6	1.4	1.4			
		16	1.6	1.6	1.4	1.4			
		18	1.6	1.6	1.4	1.4			
		20	1.6	1.6	1.4	1.4			
Planitherm (SGG) Planibel Plus (Glaverbel)	0.09	6	2.6	2.5	2.2	2.1		0.64	0.61
		8	2.2	2.2	1.9	1.8			
		10	2.0	1.9	1.6	1.6			
		12	1.8	1.8	1.5	1.5			
		14	1.6	1.6	1.4	1.4			
		16	1.6	1.5	1.3	1.3			
		18	1.6	1.5	1.4	1.3			
		20	1.6	1.6	1.4	1.4			
Planitherm Futur N (SGG) Planistar (SGG) Planibel Top N Thermo Plus Energy (Glaverbel) Optitherm (Pilkington) i Plus (Interpane)	0.05	6	2.5	2.5	2.1	2.1		0.62	0.60
		8	2.1	2.1	1.8	1.7			
		10	1.9	1.9	1.5	1.5			
		12	1.7	1.7	1.4	1.4			
		14	1.5	1.5	1.2	1.2			
		16	1.4	1.4	1.2	1.2			
		18	1.4	1.4	1.2	1.2			
		20	1.5	1.4	1.2	1.2			

list given for example purposes, other glass available

list given for example purposes, other glass available

■ Shutter values

ΔR-values by shutter type according to ThU 2000 (EN 13125)	ΔR m <sup>2</sup> .K/W
- Accordion-type shutter, adjustable-louver shutter including all-metal external venetian blinds, swing shutters or fixed-louvred shutters.	0.08
- Shutter without louvres in deployed position, aluminium roller shutters.	0.14
- PVC roller shutter (thickness < or = 12 mm) - Sliding louvred shutter or PVC swing shutter, wooden swing shutter (thickness < 22mm)	0.19
- Sliding fixed-louvred PVC shutter and wooden swing shutter (thickness > 22 mm) - PVC roller shutter (thickness > 12mm)	0.25
- TECHNAL ref V303 40 mm PVC roller louver blind - TECHNAL ref V303 60 mm PVC roller louver blind	0.22 0.26

Performance

**Thermal performance**

■ Values for sliders

	Ug value of glass unit centre pane (W/m <sup>2</sup> .K)	Uw value of window only (W/m <sup>2</sup> .K)	Ujn (W/m <sup>2</sup> .K) for complementary thermal resistance ΔR (m <sup>2</sup> .K/W) of: (see table of shutter types)					
			0.08	0.14	0.19	0.22	0.25	0.26
<b>2 leaves window</b>	1.1	2.2	2.0	1.9	1.9	1.8	1.8	1.8
	1.2	2.4	2.2	2.1	2.0	2.0	2.0	1.9
	1.3	2.5	2.3	2.2	2.1	2.1	2.0	2.0
	1.4	2.5	2.3	2.2	2.1	2.1	2.0	2.0
	1.5	2.6	2.4	2.3	2.2	2.1	2.1	2.1
	1.6	2.7	2.5	2.3	2.2	2.2	2.2	2.1
	1.7	2.7	2.5	2.3	2.2	2.2	2.2	2.1
	1.8	2.8	2.5	2.4	2.3	2.3	2.2	2.2
	1.9	2.8	2.5	2.4	2.3	2.3	2.2	2.2
	2.0	2.9	2.6	2.5	2.4	2.3	2.3	2.3
	2.1	3.0	2.7	2.6	2.5	2.4	2.4	2.3
	2.2	3.0	2.7	2.6	2.5	2.4	2.4	2.3
	2.3	3.1	2.8	2.6	2.5	2.5	2.4	2.4
2.4	3.2	2.9	2.7	2.6	2.5	2.5	2.5	
2.5	3.2	2.9	2.7	2.6	2.5	2.5	2.5	
2.6	3.3	3.0	2.8	2.7	2.6	2.6	2.5	
<b>2 leaves patio-door</b>	1.1	2.1	1.9	1.9	1.8	1.8	1.7	1.7
	1.2	2.2	2.0	1.9	1.9	1.8	1.8	1.8
	1.3	2.3	2.1	2.0	2.0	1.9	1.9	1.9
	1.4	2.4	2.2	2.1	2.0	2.0	2.0	1.9
	1.5	2.4	2.2	2.1	2.0	2.0	2.0	1.9
	1.6	2.5	2.3	2.2	2.1	2.1	2.0	2.0
	1.7	2.6	2.4	2.3	2.2	2.1	2.1	2.1
	1.8	2.6	2.4	2.3	2.2	2.1	2.1	2.1
	1.9	2.7	2.5	2.3	2.2	2.2	2.2	2.1
	2.0	2.8	2.5	2.4	2.3	2.3	2.2	2.2
	2.1	2.9	2.6	2.5	2.4	2.3	2.3	2.3
	2.2	2.9	2.6	2.5	2.4	2.3	2.3	2.3
	2.3	3.0	2.7	2.6	2.5	2.4	2.4	2.3
2.4	3.1	2.8	2.6	2.5	2.5	2.4	2.4	
2.5	3.1	2.8	2.6	2.5	2.5	2.4	2.4	
2.6	3.2	2.9	2.7	2.6	2.5	2.5	2.5	

Low-emissivity layer must be situated on side 2 to reduce risk of thermal breakage of glass.  
Lapped edge finishing is recommended according to glass type.

Joinery prohibited

Sg glazing solar factor (including any solar protection)	Sw solar factor			
	Default value α according to joinery colour			
	0.4	1.0	0.4	1.0
	white. yellow. orange. light red	black. dark brown. dark blue	white. yellow. orange. light red	black. dark brown. dark blue

**2-leaf window WxH=1.85m x 1.48m**

0,1	0,08	0,11	0,09	0,14
0,2	0,14	0,17	0,16	0,20
0,3	0,21	0,23	0,22	0,26
0,4	0,27	0,30	0,28	0,33
0,5	0,33	0,36	0,35	0,39
0,6	0,40	0,42	0,41	0,45
0,7	0,46	0,49	0,47	0,52
0,8	0,52	0,55	0,54	0,58

**2-leaf patio door WxH=1.85m x 2.18m**

0,1	0,08	0,10	0,09	0,13
0,2	0,15	0,17	0,16	0,20
0,3	0,22	0,24	0,23	0,27
0,4	0,29	0,31	0,30	0,33
0,5	0,35	0,38	0,36	0,40
0,6	0,42	0,44	0,43	0,47
0,7	0,49	0,51	0,50	0,54
0,8	0,56	0,58	0,57	0,60

■ Values for composite sliders

	Ug value of glass unit centre pane (W/m <sup>2</sup> .K)	Ug value of window only (W/m <sup>2</sup> .K)	Ujn (W/m <sup>2</sup> .K) for complementary thermal resistance ΔR (m <sup>2</sup> .K/W) of: (see table of shutter types)					
			0.08	0.14	0.19	0.22	0.25	0.26
<b>2-leaf window with non-insulated opening frames</b>	1.1	2.8	2.5	2.4	2.3	2.3	2.2	2.2
	1.2	2.8	2.5	2.4	2.3	2.3	2.2	2.2
	1.3	2.9	2.6	2.5	2.4	2.3	2.3	2.3
	1.4	3.0	2.7	2.6	2.5	2.4	2.4	2.3
	1.5	3.0	2.7	2.6	2.5	2.4	2.4	2.3
	1.6	3.1	2.8	2.6	2.5	2.5	2.4	2.4
	1.7	3.2	2.9	2.7	2.6	2.5	2.5	2.5
	1.8	3.2	2.9	2.7	2.6	2.5	2.5	2.5
	1.9	3.3	3.0	2.8	2.7	2.6	2.6	2.5
	2.0	3.4	3.0	2.9	2.7	2.7	2.6	2.6
	2.1	3.4	3.0	2.9	2.7	2.7	2.6	2.6
	2.2	3.5	3.1	2.9	2.8	2.7	2.7	2.7
	2.3	3.6	3.2	3.0	2.9	2.8	2.7	2.7
2.4	3.6	3.2	3.0	2.9	2.8	2.7	2.7	
2.5	3.7	3.3	3.1	2.9	2.9	2.8	2.8	
2.6	3.8	3.4	3.1	3.0	2.9	2.9	2.9	
<b>Porte-fenêtre 2 vantaux avec ouvrants non isolés</b>	1.1	2.6	2.4	2.3	2.2	2.1	2.1	2.1
	1.2	2.6	2.4	2.3	2.2	2.1	2.1	2.1
	1.3	2.7	2.5	2.3	2.2	2.2	2.2	2.1
	1.4	2.8	2.5	2.4	2.3	2.3	2.2	2.2
	1.5	2.8	2.5	2.4	2.3	2.3	2.2	2.2
	1.6	2.9	2.6	2.5	2.4	2.3	2.3	2.3
	1.7	3.0	2.7	2.6	2.5	2.4	2.4	2.3
	1.8	3.0	2.7	2.6	2.5	2.4	2.4	2.3
	1.9	3.1	2.8	2.6	2.5	2.5	2.4	2.4
	2.0	3.2	2.9	2.7	2.6	2.5	2.5	2.5
	2.1	3.3	3.0	2.8	2.7	2.6	2.6	2.5
	2.2	3.3	3.0	2.8	2.7	2.6	2.6	2.5
	2.3	3.4	3.0	2.9	2.7	2.7	2.6	2.6
2.4	3.5	3.1	2.9	2.8	2.7	2.7	2.7	
2.5	3.5	3.1	2.9	2.8	2.7	2.7	2.7	
2.6	3.6	3.2	3.0	2.9	2.8	2.7	2.7	

Low-emissivity layer must be situated on side 2 to reduce risk of thermal breakage of glass.  
Lapped edge finishing is recommended according to glass type.

Joinery prohibited

Sg glazing solar factor (including any solar protection)	Sw solar factor Default value α according to joinery colour			
	0.4 white. yellow. orange. light red	1.0 black. dark brown. dark blue	0.4 white. yellow. orange. light red	1.0 black. dark brown. dark blue
<b>2-leaf window WxH=1.85m x 1.48m</b>				
0,1	0,09	0,13	0,11	0,17
0,2	0,16	0,20	0,17	0,23
0,3	0,22	0,26	0,24	0,30
0,4	0,29	0,33	0,30	0,36
0,5	0,35	0,39	0,37	0,43
0,6	0,42	0,46	0,43	0,50
0,7	0,48	0,52	0,50	0,56
0,8	0,55	0,59	0,56	0,63
<b>2-leaf patio door WxH=1.85m x 2.18m</b>				
0,1	0,09	0,13	0,10	0,16
0,2	0,16	0,19	0,17	0,23
0,3	0,23	0,26	0,24	0,30
0,4	0,30	0,33	0,31	0,37
0,5	0,37	0,40	0,38	0,43
0,6	0,44	0,47	0,45	0,50
0,7	0,51	0,54	0,52	0,57
0,8	0,58	0,61	0,59	0,64

**Inertia**  
**Inertia values**

	Ref.	$I_{xx'}$ (cm <sup>4</sup> )	$I_{yy'}$ (cm <sup>4</sup> )	$I_{xx'}$ $v$ (cm <sup>3</sup> )	$I_{yy'}$ $v$ (cm <sup>3</sup> )
	<b>FG004</b>	12.70	9.40	3.60	4.80

	Ref.	$I_{xx'}$ (cm <sup>4</sup> )	$I_{yy'}$ (cm <sup>4</sup> )	$I_{xx'}$ $v$ (cm <sup>3</sup> )	$I_{yy'}$ $v$ (cm <sup>3</sup> )
	<b>FG023</b>	14.20	22.20	4.20	7.70

	<b>FG005</b>	4.20	9.50	1.70	3.90
--	--------------	------	------	------	------

	<b>FG024</b>	22.80	35.70	4.50	8.20
--	--------------	-------	-------	------	------

	<b>FG012</b>	19.20	18.90	5.20	4.60
--	--------------	-------	-------	------	------

	<b>FG025</b>	21.50	24.40	4.20	7.80
--	--------------	-------	-------	------	------

	<b>FG013</b>	13.40	31.10	4.00	7.26
--	--------------	-------	-------	------	------

	<b>FG029</b>	5.80	31.00	2.40	6.70
--	--------------	------	-------	------	------

	<b>FG014</b>	14.00	20.80	4.20	7.30
--	--------------	-------	-------	------	------

	<b>FG031</b>	16.20	6.70	4.10	4.10
--	--------------	-------	------	------	------

	<b>FG016</b>	13.40	33.30	4.00	7.30
--	--------------	-------	-------	------	------

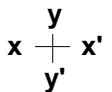
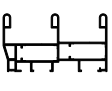
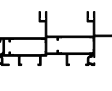
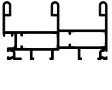
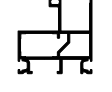
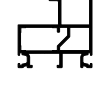
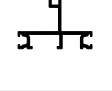
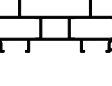
	<b>FG032</b>	12.70	6.40	3.80	3.90
--	--------------	-------	------	------	------

	<b>FG017</b>	14.00	20.90	4.20	7.30
--	--------------	-------	-------	------	------

	<b>FG033</b>	19.10	128.60	5.60	18.20
--	--------------	-------	--------	------	-------

	<b>FG022</b>	14.10	22.20	4.20	7.70
--	--------------	-------	-------	------	------



	Ref.	$I_{xx'}$ (cm <sup>4</sup> )	$I_{yy'}$ (cm <sup>4</sup> )	$I_{xx'}$ v (cm <sup>3</sup> )	$I_{yy'}$ v (cm <sup>3</sup> )
	<b>FG034</b>	21.30	104.70	6.30	19.40
	<b>FG035 or FG038</b>	19.10	129.20	5.60	18.20
	<b>FG036</b>	21.30	101.20	6.30	19.40
	<b>FG039</b>	9.47	10.67	2.60	3.91
	<b>FG040</b>	11.20	10.70	3.18	3.93
	<b>FG041</b>	3.22	4.26	1.17	1.72
	<b>FG043</b>	17.87	71.21	5.19	13.80

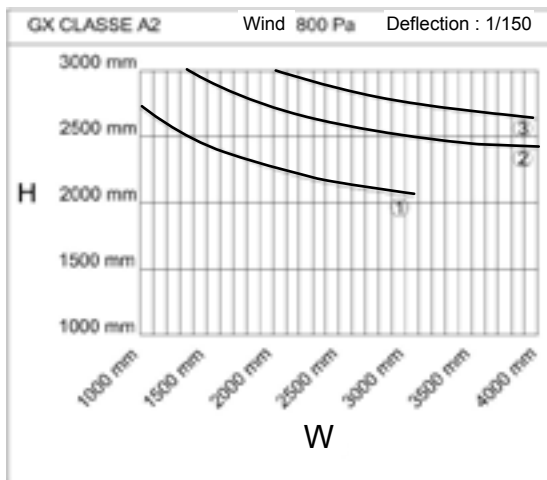
# Inertia

## Usage charts

- Curves plotted for 2-leaf frame, overall outer height and width in Im.  
For frames with more than 2 leaves, use width W of 2 opening frames.

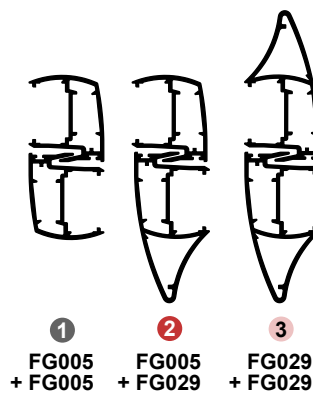
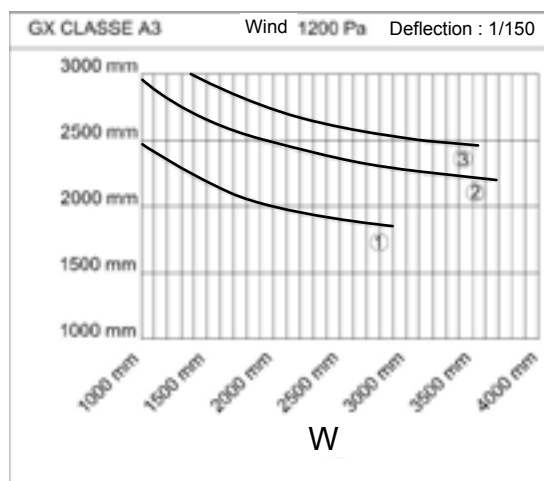
**V\*A<sub>2</sub>**

Double glazing for V\*A<sub>2</sub> classification: max. permitted deflection 1/150 of height of opening frame mullion with 800 Pascals pressure.



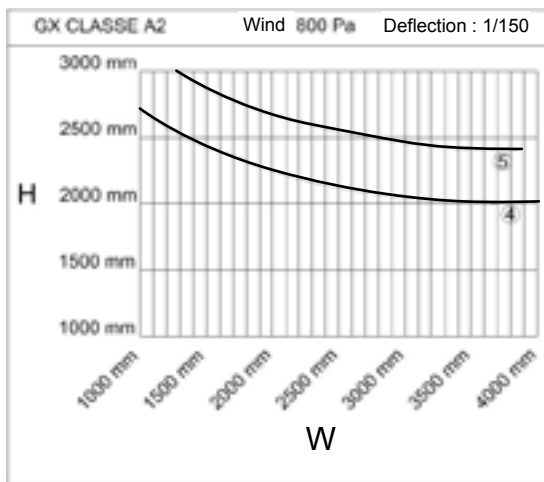
**V\*A<sub>3</sub>**

Double glazing for V\*A<sub>3</sub> classification: max. permitted deflection 1/150 of height of opening frame mullion with 1200 Pascals pressure.



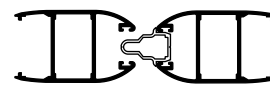
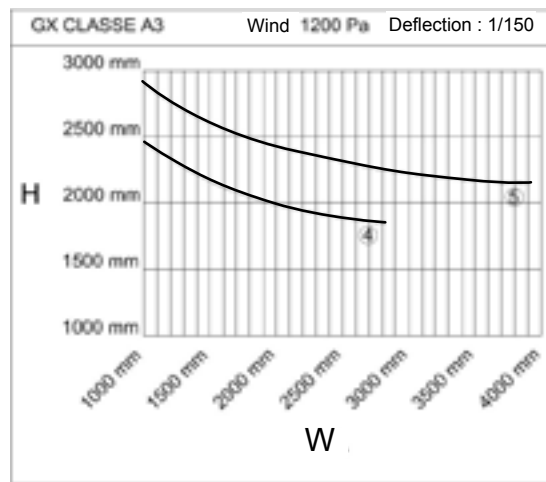
**V\*A<sub>2</sub>**

Double glazing for V\*A<sub>2</sub> classification: max. permitted deflection 1/150 of height of opening frame mullion with 800 Pascals pressure.



**V\*A<sub>3</sub>**

Double glazing for V\*A<sub>3</sub> classification: max. permitted deflection 1/150 of height of opening frame mullion with 1200 Pascals pressure.



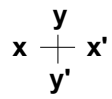

**4**  
FG004 + FG004





**5**  
FG012 + FG012


Inertia

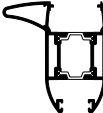
Inertia values


	Ref.	$I_{xx'}$ (cm <sup>4</sup> )	$I_{yy'}$ (cm <sup>4</sup> )	$I_{xx'}$ v (cm <sup>3</sup> )	$I_{yy'}$ v (cm <sup>3</sup> )
	<b>FG001</b>	2.90	7.10	1.00	2.60


	<b>FG002</b>	4.90	27.70	1.90	6.50
----------------------------------------------------------------------------------	--------------	------	-------	------	------

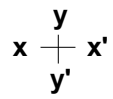

	<b>FG030</b>	5.90	40.20	2.50	8.40
------------------------------------------------------------------------------------	--------------	------	-------	------	------


	<b>HG001</b>	14.20	8.70	3.70	4.40
-------------------------------------------------------------------------------------	--------------	-------	------	------	------


	<b>HG002</b>	19.70	14.10	4.90	3.30
------------------------------------------------------------------------------------	--------------	-------	-------	------	------


	<b>HG003</b>	18.90	6.90	4.80	4.20
-------------------------------------------------------------------------------------	--------------	-------	------	------	------


	<b>HG005</b>	11.90	28.60	3.50	6.30
------------------------------------------------------------------------------------	--------------	-------	-------	------	------


	Ref.	$I_{xx'}$ (cm <sup>4</sup> )	$I_{yy'}$ (cm <sup>4</sup> )	$I_{xx'}$ v (cm <sup>3</sup> )	$I_{yy'}$ v (cm <sup>3</sup> )
	<b>HG006</b>	12.30	18.10	3.60	6.30

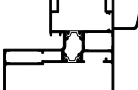
	<b>HG007</b>	11.90	28.30	3.50	6.20
-----------------------------------------------------------------------------------	--------------	-------	-------	------	------


	<b>HG008</b>	12.40	17.90	3.60	6.20
-------------------------------------------------------------------------------------	--------------	-------	-------	------	------

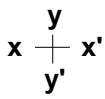
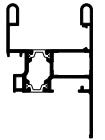
	<b>HG012</b>	20.00	20.60	5.10	6.80
-------------------------------------------------------------------------------------	--------------	-------	-------	------	------

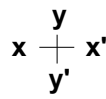
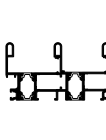
	<b>HG013</b>	12.50	19.30	3.60	6.80
-------------------------------------------------------------------------------------	--------------	-------	-------	------	------

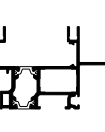
	<b>HG014</b>	12.70	19.30	3.60	6.70
-------------------------------------------------------------------------------------	--------------	-------	-------	------	------

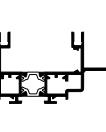
	<b>HG015</b>	30.10	57.10	6.30	14.00
-------------------------------------------------------------------------------------	--------------	-------	-------	------	-------

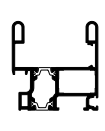
	<b>HG016</b>	18.30	30.30	3.60	6.90
-------------------------------------------------------------------------------------	--------------	-------	-------	------	------

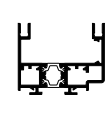
	Ref.	$I_{xx}'$ (cm <sup>4</sup> )	$I_{yy}'$ (cm <sup>4</sup> )	$I_{xx}'$ v (cm <sup>3</sup> )	$I_{yy}'$ v (cm <sup>3</sup> )
	<b>HG017</b>	18.60	21.00	3.70	6.70

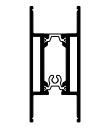
	Ref.	$I_{xx}'$ (cm <sup>4</sup> )	$I_{yy}'$ (cm <sup>4</sup> )	$I_{xx}'$ v (cm <sup>3</sup> )	$I_{yy}'$ v (cm <sup>3</sup> )
	<b>HG025</b>	20.50	90.40	5.80	17.20

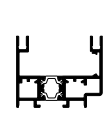
	<b>HG019</b>	12.00	28.50	3.50	6.20
-----------------------------------------------------------------------------------	--------------	-------	-------	------	------

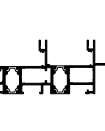
	<b>HG028</b>	7.50	27.47	2.48	5.90
-----------------------------------------------------------------------------------	--------------	------	-------	------	------

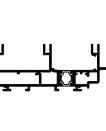
	<b>HG020</b>	12.50	18	3.60	6.20
-------------------------------------------------------------------------------------	--------------	-------	----	------	------

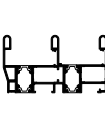
	<b>HG029</b>	5.86	14.76	2.07	5.06
-------------------------------------------------------------------------------------	--------------	------	-------	------	------

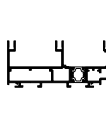
	<b>HG021</b>	14.30	6.60	3.80	4.10
-------------------------------------------------------------------------------------	--------------	-------	------	------	------

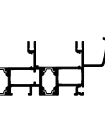
	<b>HG030</b>	5.73	14.92	2.04	5.13
-------------------------------------------------------------------------------------	--------------	------	-------	------	------

	<b>HG022 or HG027</b>	17.98	111.01	5.07	15.74
-------------------------------------------------------------------------------------	-------------------------------	-------	--------	------	-------

	<b>HG031</b>	10.97	98.32	3.51	14.24
-------------------------------------------------------------------------------------	--------------	-------	-------	------	-------

	<b>HG023</b>	20.30	95.20	5.70	17.50
-------------------------------------------------------------------------------------	--------------	-------	-------	------	-------

	<b>HG075</b>	9.28	69.49	3.23	13.02
-------------------------------------------------------------------------------------	--------------	------	-------	------	-------

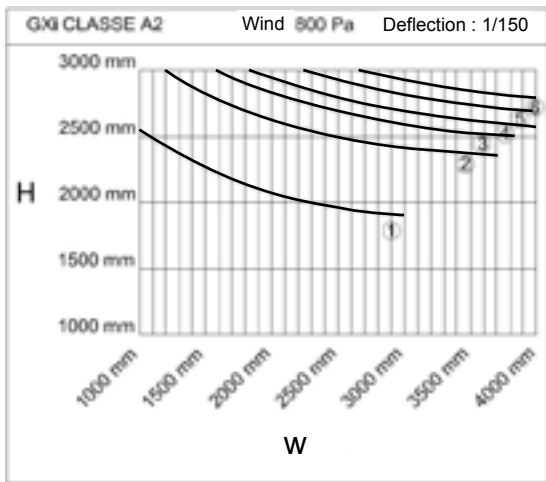
	<b>HG024 or HG026</b>	18.60	114.60	5.20	16.10
-------------------------------------------------------------------------------------	-------------------------------	-------	--------	------	-------

# Inertia Usage charts

- Curves plotted for 2-leaf frame, overall outer height and width in Im.  
For frames with more than 2 leaves, use width W of 2 opening frames.

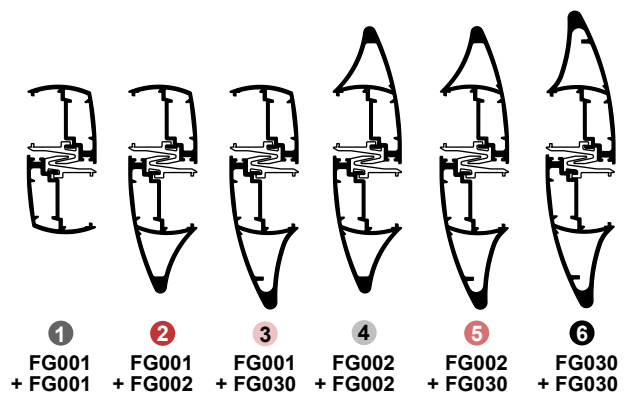
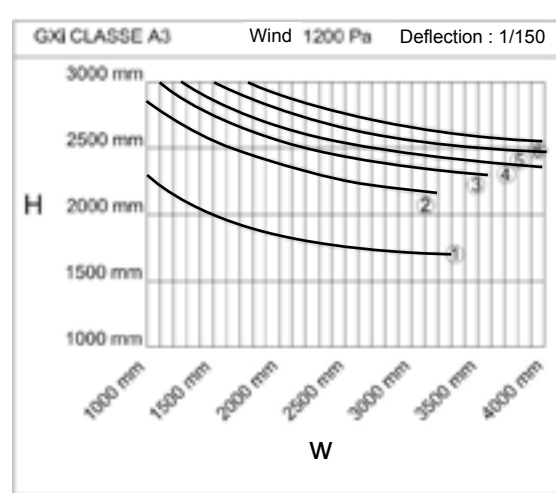
**V\*A<sub>2</sub>**

Double glazing for V\*A<sub>2</sub> classification: max. permitted deflection 1/150 of height of opening frame mullion with 800 Pascals pressure.



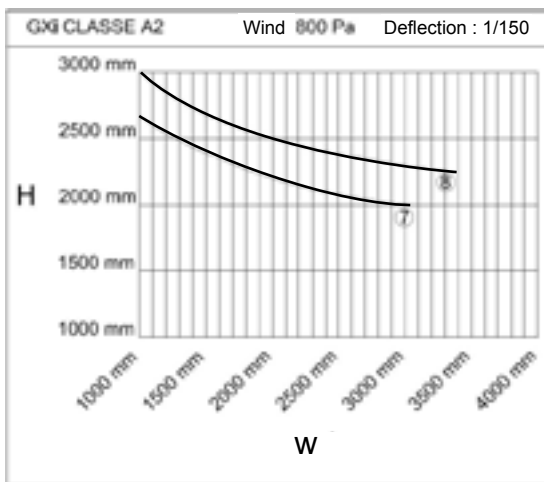
**V\*A<sub>3</sub>**

Double glazing for V\*A<sub>3</sub> classification: max. permitted deflection 1/150 of height of opening frame mullion with 1200 Pascals pressure.



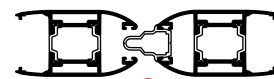
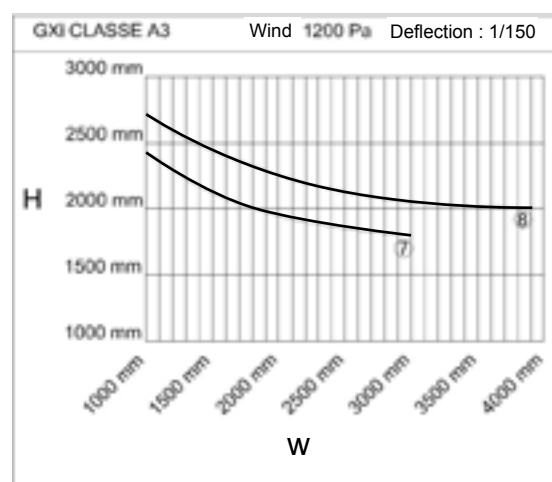
**V\*A<sub>2</sub>**

Double glazing for V\*A<sub>2</sub> classification: max. permitted deflection 1/150 of height of opening frame mullion with 800 Pascals pressure.



**V\*A<sub>3</sub>**

Double glazing for V\*A<sub>3</sub> classification: max. permitted deflection 1/150 of height of opening frame mullion with 1200 Pascals pressure.



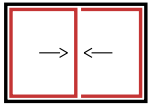
**7**  
HG001 + HG001



**8**  
HG002 + HG002

Applications

**2-leaf window**



Description for 20mm glass

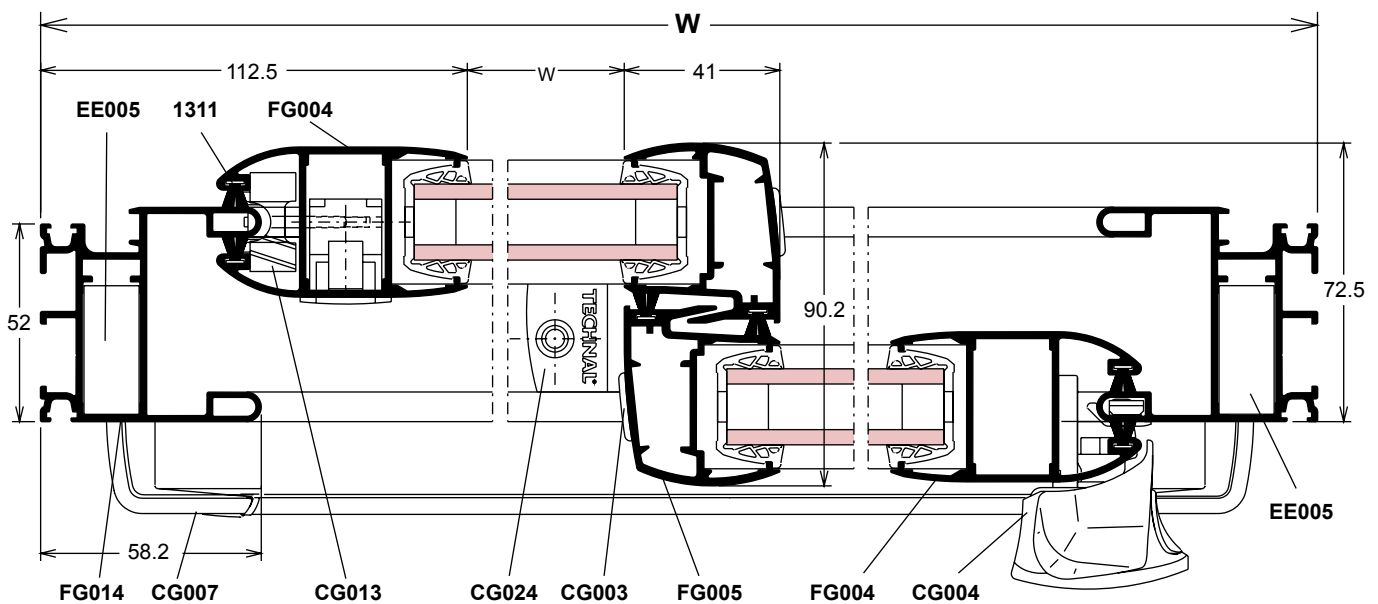
**PROFILE DIMENSIONS**

Ref.	Profile	Section	Qty	Dimensions
FG003			2	W - 108.5
FG004			2	H - 95
FG005			2	H - 95
FG013			1	W
FG014			2 1	H W
FG032			4	W/2 - 93

**GASKETS**

Ref.	Qty	Description
1311	6H + 4W	Weatherpile gasket
JE001	2W + 4H	Glazing gasket 20mm

Horizontal section 1/2 scale

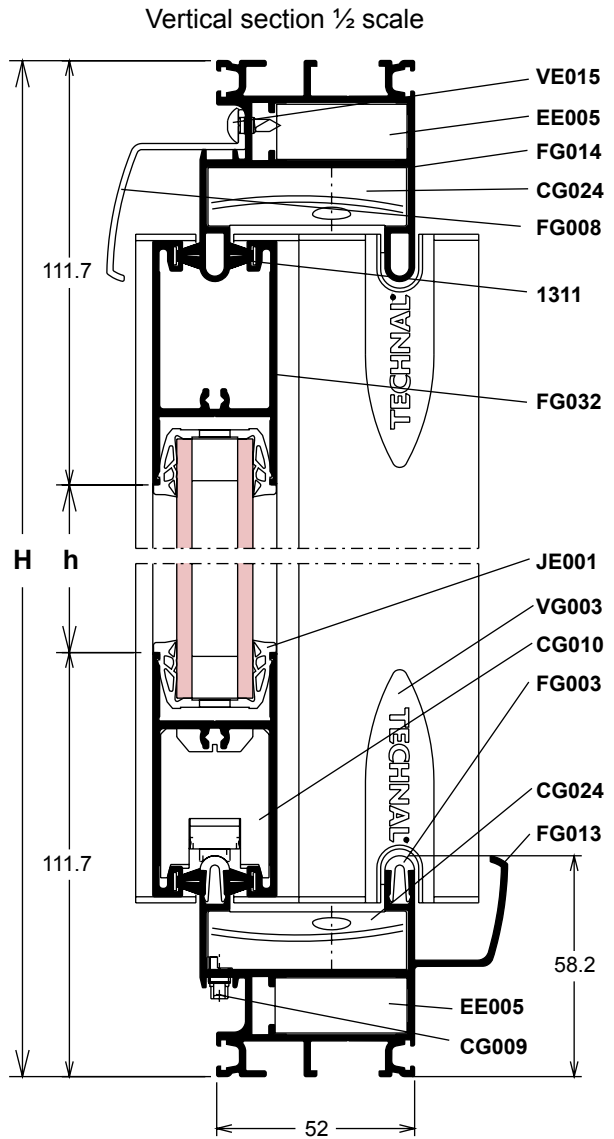




**ACCESSORIES**

Ref.	Qty	Description
1838	8	Stainless screw
CG002	2	Central plugs
CG003	4	Central guide
CG004	1	Half-moon semi-auto lock
CG007	1	Drain pipe plug set
CG009	2	Catch center punch
CG010	4	Roller
CG012	1	Catch
CG013	1	Catch center punch
CG024	1	Central weathering plug
CG026	2	Lateral plug and stop
CG028	4	Corner cleat
EE005	4	Corner cleat
KG001	1	Lock

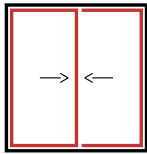
Glass dimensions	
H - 200.5	W/2 - 106
h + 23	W + 27



GX013

# Applications

## 2-leaf patio door



Description for 20mm glass

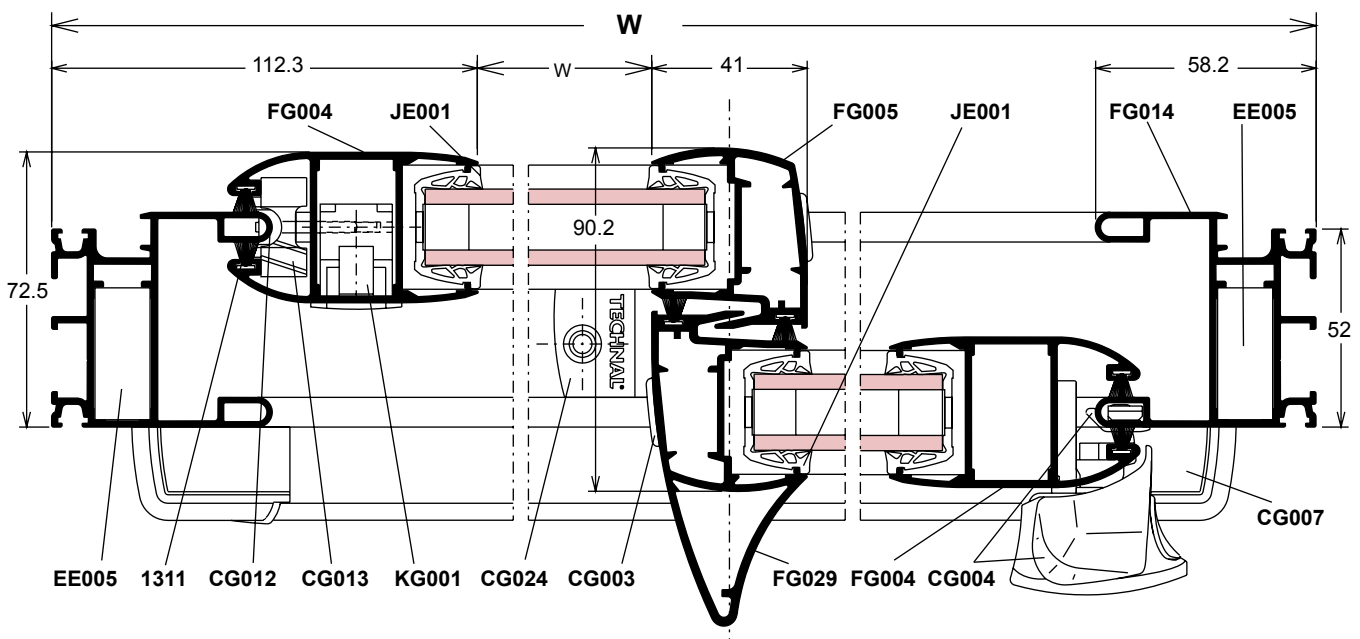
### PROFILE DIMENSIONS

Ref.	Profile	Section	Qty	Dimensions
FG003			2	W - 108.5
FG004			2	H - 95
FG005			1	H
FG013			1	W
FG014			2 1	W H
FG029			1	H - 95
FG032			4	W/2 - 93

### GASKETS

Ref.	Qty	Description
1311	6H + 4W	Weatherpile gasket
JE001	2W + 4H	Glazing gasket 20mm

Horizontal section 1/2 scale



Vertical section 1/2 scale

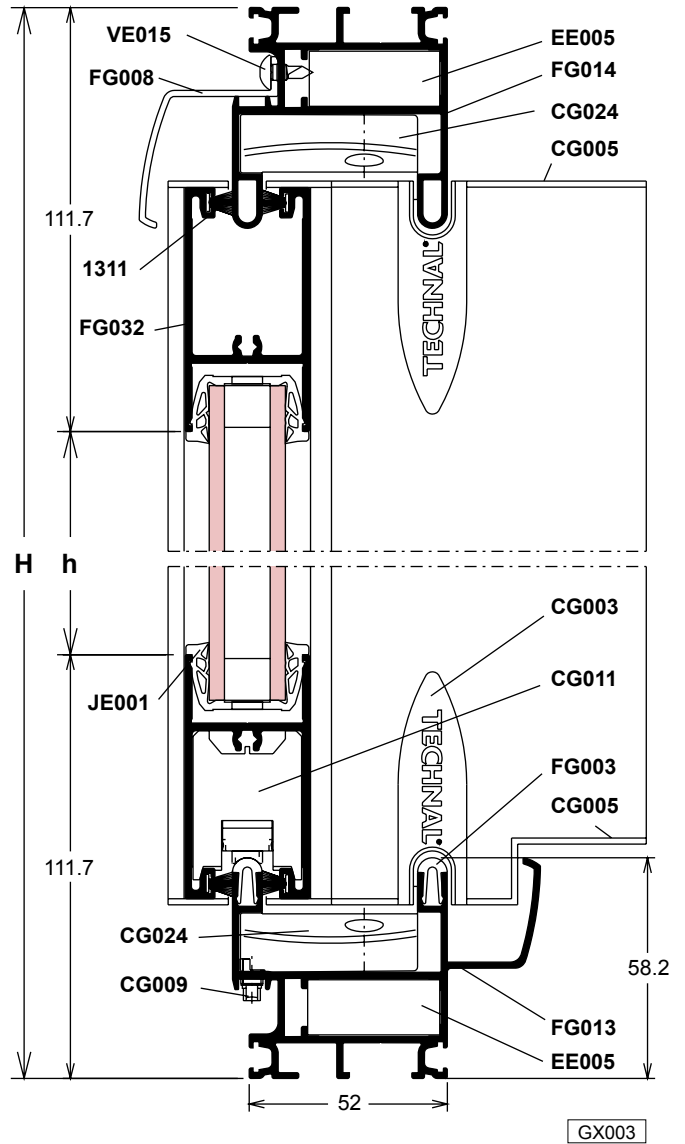
**ACCESSORIES**

Ref.	Qty	Description
1838	8	Stainless screw
CG002	2	Central plugs
CG003	4	Central guide
CG004	1	Half-moon semi-auto lock
CG007	1	Drain pipe plug set
CG009	2	Catch center punch
CG011	4	Double roller
CG012	1	Catch
CG013	1	Catch center punch
CG024	1	Central weathering plug
CG026	2	Lateral plug and stop
CG028	4	Corner cleat
EE005	4	Corner cleat
KG001	1	Lock

**OPTIONS**

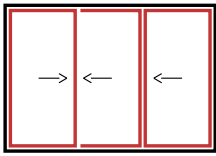
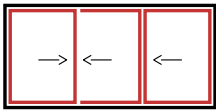
CG005 Cover- CG006 Cover

Glass dimensions	
H - 200.5	W/2 - 106
h + 23	W + 27



Applications

**3-leaf dependent window and patio door**



Description for 20mm glass

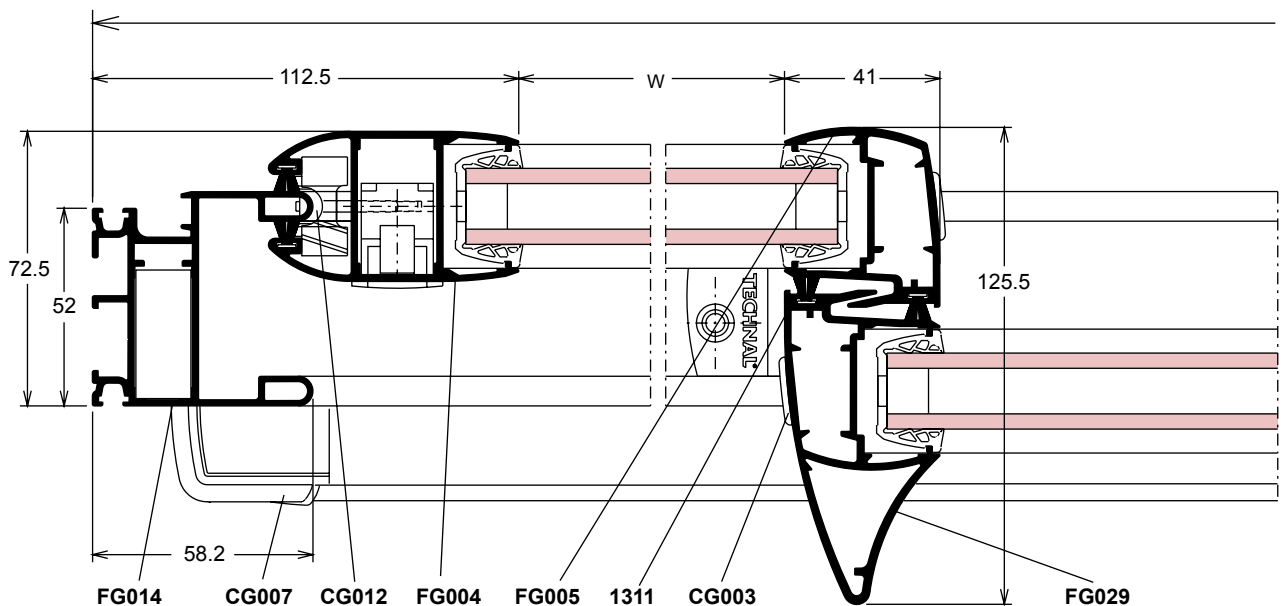
PROFILE DIMENSIONS

Ref.	Profile	Section	Dimensions	Window	Patio-door
FG003			W - 108.5	2	2
FG004			H - 95	4	2
FG005			H - 95	2	1
FG011			H - 95	1	1
FG012			H - 95		2
FG013			W	1	1
FG014			W H	1 2	1 2
FG029			H - 95		1
FG032			W/3 - 95	6	6

GASKETS

Ref.	Window	Patio-door	Description
1311	8H + 4W	8H + 4W	Weatherpile gasket
JE001	2W + 6H	2W + 6H	Glazing gasket 20mm

Horizontal section 1/2 scale



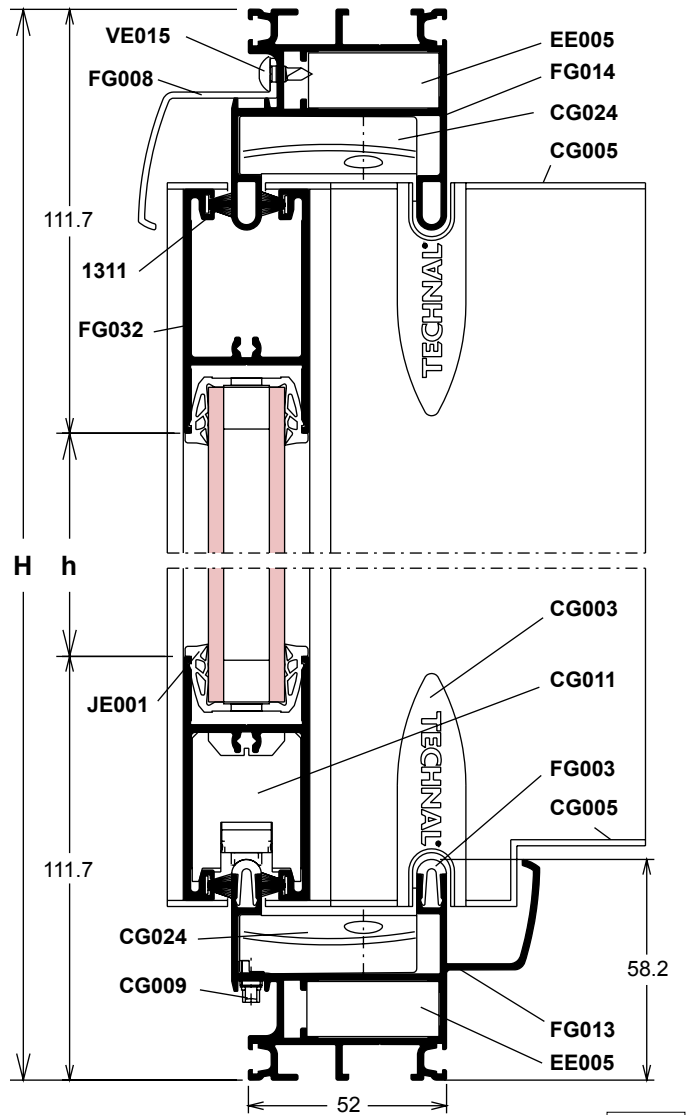
Vertical section 1/2 scale

**ACCESSORIES**

Ref.	Window	Patio-door	Description
1838	12	12	Stainless screw
CG002	2	2	Central plugs
CG003	4	4	Central guide
CG007	1	1	Drain pipe plug set
CG009	2	2	Catch center punch
CG010	6		Roller
CG011		6	Double roller
CG012	3	3	Catch
CG013	3	3	Catch center punch
CG020	4	6	Baffle fitting
CG024	1	1	Central weathering plug
CG026	4	4	Lateral plug and stop
CG028	4	4	Corner cleat
CG034	1	1	Central catch set
EE005	4	4	Corner cleat
KG001	3	3	Lock

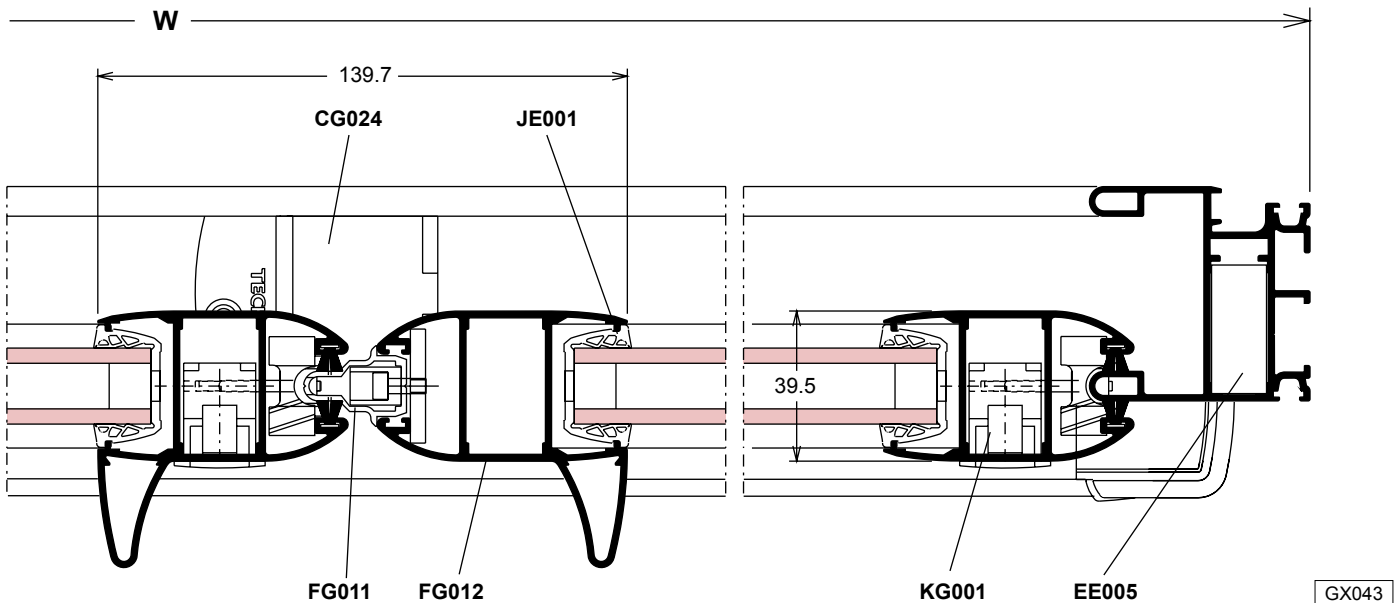
**OPTIONS**

CG005 Cover, CG006 Cover, CG017 Handle, CG018 Handle

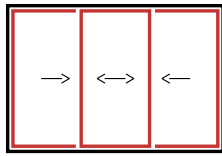
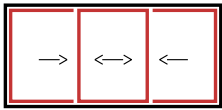


GX003

Glass dimensions	
H - 200.5	W/3 - 108
h + 23	W + 27



GX043



Description for 20mm glass

Applications

**3-leaf independent window and patio door**

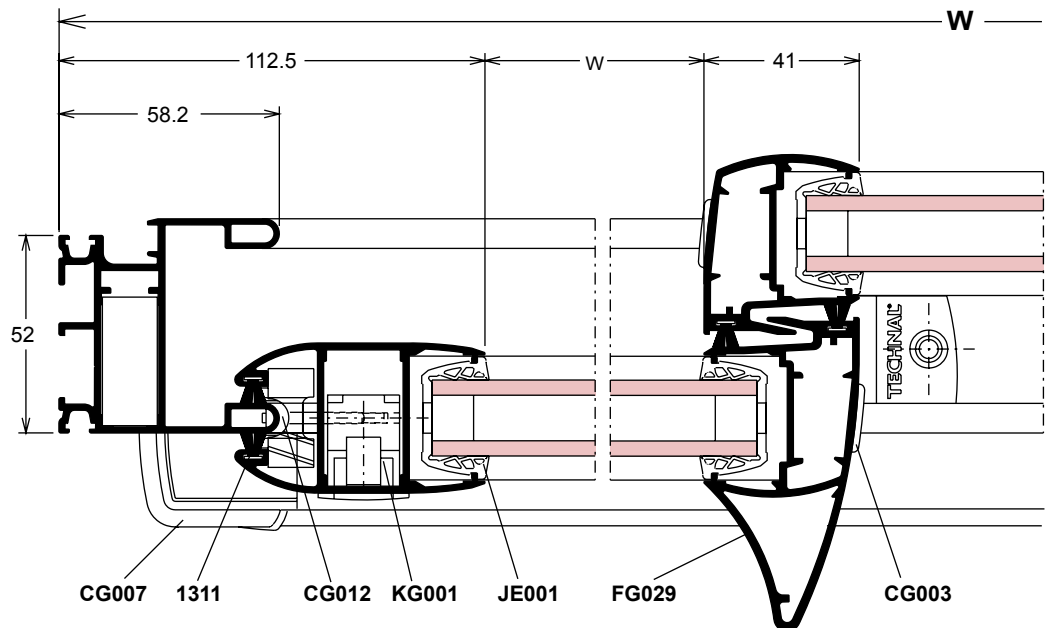
PROFILE DIMENSIONS

Ref.	Profile	Section	Dimensions	Window	Patio-door
FG003			W - 108.5	2	2
FG004			H - 95	2	2
FG005			H - 95	4	2
FG013			W	1	1
FG014			W H	1 2	1 2
FG029			H - 95		2
FG032			W/3 - 63	6	6

GASKETS

Ref.	Window	Patio-door	Description
1311	8H + 4W	8H + 4W	Weatherpile gasket
JE001	2W + 6H	2W + 6H	Glazing gasket 20mm

Horizontal section 1/2 scale



Vertical section 1/2 scale

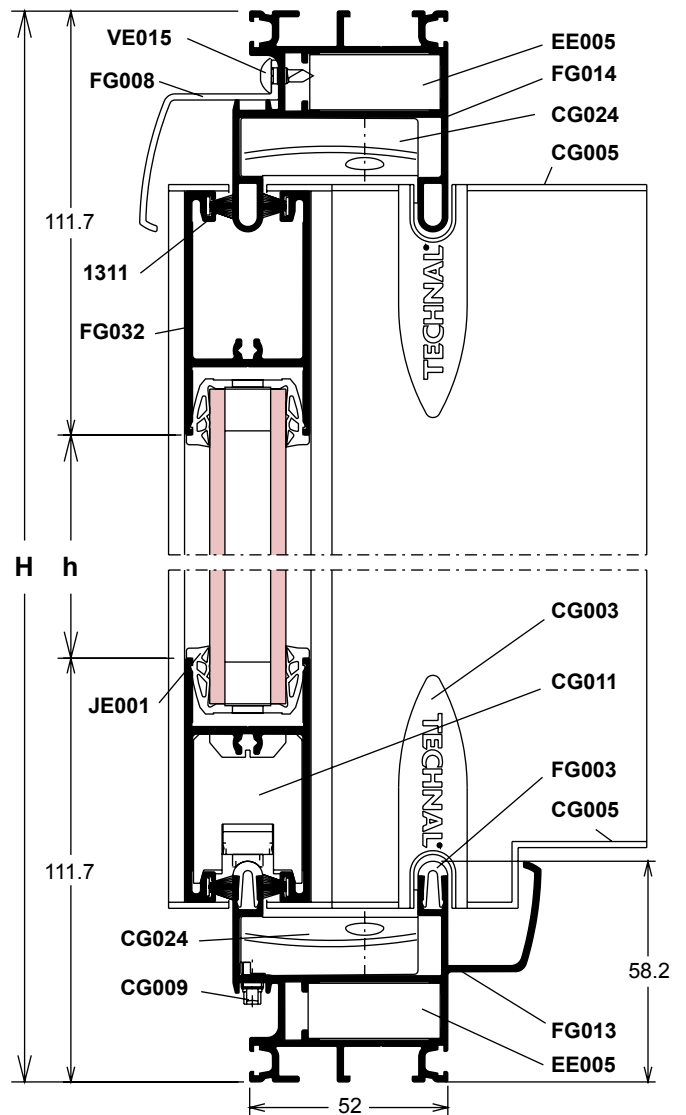
**ACCESSORIES**

Ref.	Window	Patio-door	Description
1838	12	12	Stainless screw
CG002	4	4	Central plugs
CG003	8	8	Central guide
CG004	1	1	Half-moon semi-auto lock
CG007	1	1	Drain pipe plug set
CG009	2	2	Catch center punch
CG010	6		Roller
CG011		6	Double roller
CG012	1	1	Catch
CG013	1	1	Catch center punch
CG024	2	2	Central weathering plug
CG026	2	2	Lateral plug and stop
CG028	4	4	Corner cleat
EE005	4	4	Corner cleat
KG001	1	1	Lock

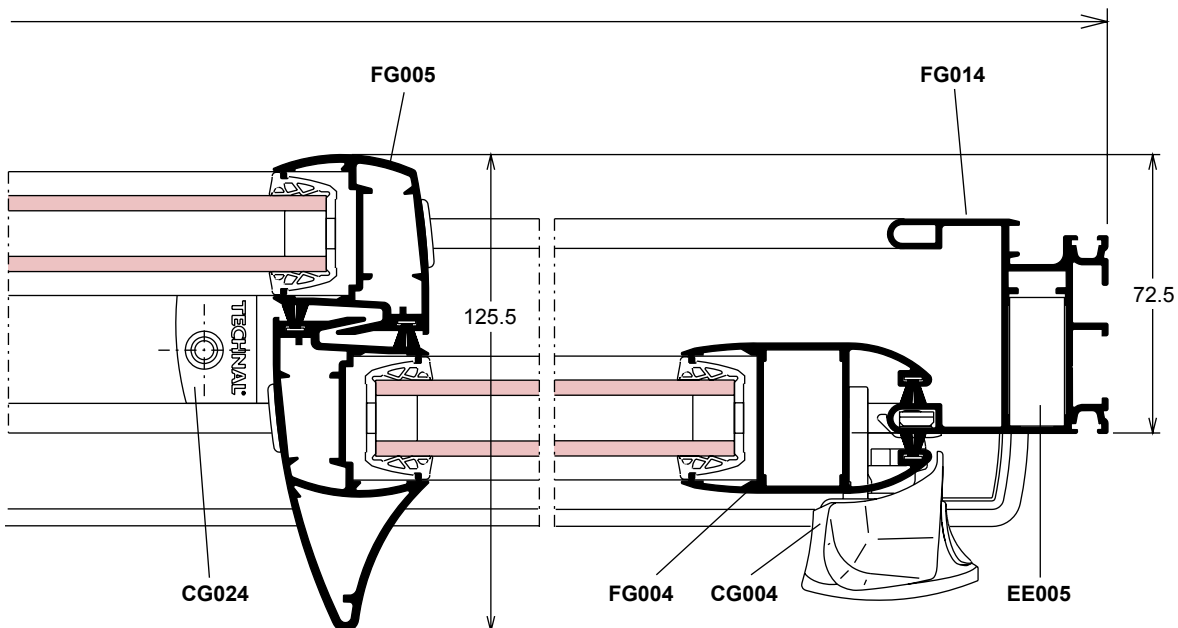
**OPTIONS**

CG005 Cover, CG006 Cover, CG017 Handle, CG018 Handle

Glass dimensions	
H - 200.5	W/3 - 76
h + 23	W + 27



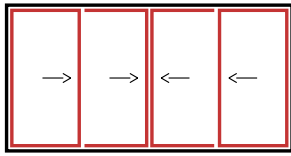
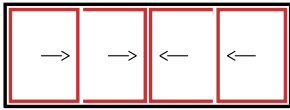
GX003



GX042

Applications

**4-leaf window and patio door**



Description for 20mm glass

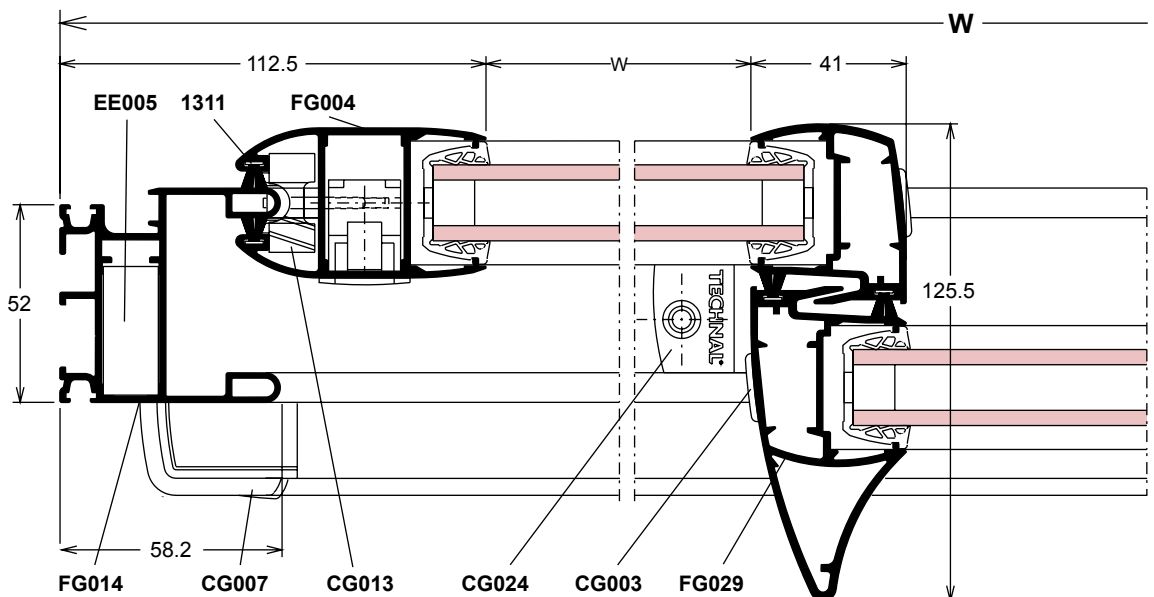
PROFILE DIMENSIONS

Ref.	Profile	Section	Dimensions	Window	Patio-door
FG003			W - 108.5	2	2
FG004			H - 95	4	2
FG005			H - 95	4	2
FG011			H - 95	1	1
FG012			H - 95		2
FG013			W	1	1
FG014			W H	1 2	1 2
FG029			H - 95		2
FG032			W/4 - 72	8	8

GASKETS

Ref.	Window	Patio-door	Description
1311	10H + 4W	10H + 4W	Weatherpile gasket
JE001	2W + 8H	2W + 8H	Glazing gasket 20mm

Horizontal section 1/2 scale





Vertical section 1/2 scale

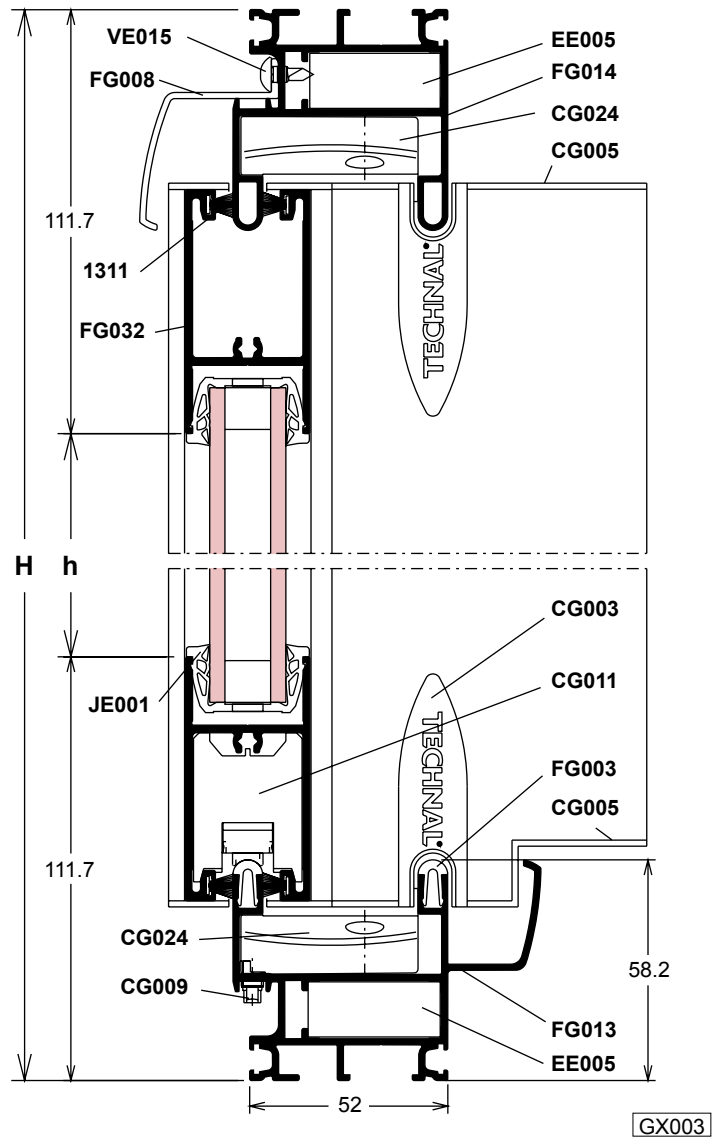
**ACCESSORIES**

Ref.	Window	Patio-door	Description
1838	16	16	Stainless screw
CG002	4	4	Central plugs
CG003	8	8	Central guide
CG007	1	1	Drain pipe plug set
CG009	4	4	Catch center punch
CG010	8		Roller
CG011		8	Double roller
CG012	3	3	Catch
CG013	3	3	Catch center punch
CG020	4	6	Baffle fitting
CG024	2	2	Central weathering plug
CG026	4	4	Lateral plug and stop
CG028	4	4	Corner cleat
CG034	1	1	Central catch set
EE005	4	4	Corner cleat
KG001	3	3	Lock

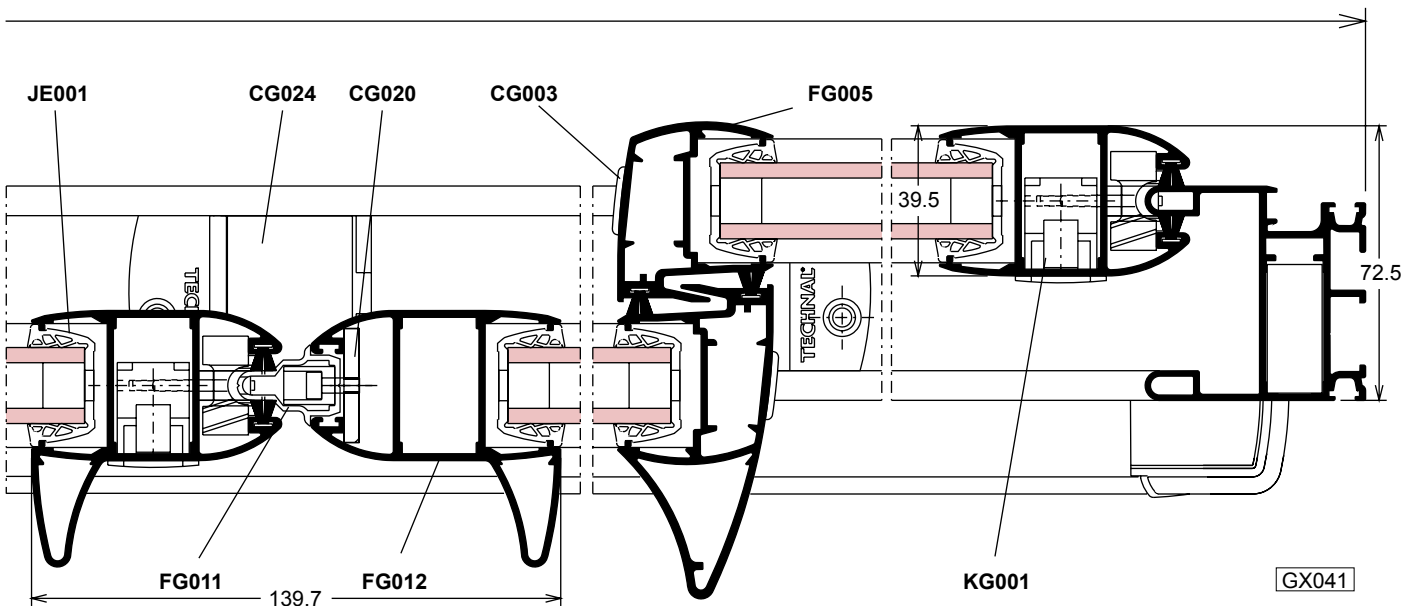
**OPTIONS**

CG005 Cover, CG006 Cover, CG017 Handle, CG018 Handle

Glass dimensions	
H - 200.5	W/4 - 85
h + 23	W + 27

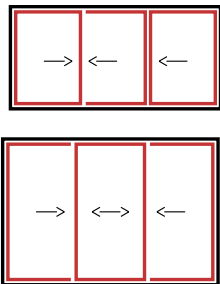


GX003



GX041

TECHNICAL



Description for 20mm glass

### Applications

## 3-leaf. 3-rail window and patio door

### ACCESSORIES

Ref.	Window	Patio-door	Description
1838	12	12	Stainless screw
CG002	4	4	Central plugs
CG003	8	8	Central guide
CG004	1	1	Half-moon semi-auto lock
CG007	1	1	Drain pipe plug set
CG009	2	2	Catch center punch
CG010	6		Roller
CG011		6	Double roller
CG012	1	1	Catch
CG013	1	1	Catch center punch
CG023	1	1	Weathering plug
CG024	1	1	Central weathering plug
CG026	2	2	Lateral plug and stop
CG028	4	4	Corner cleat
EE005	8	8	Corner cleat
KG001	1	1	Lock

### PROFILE DIMENSIONS

Ref.	Profile	Section	Dimensions	Window	Patio-door
FG003			W - 108.5	3	3
FG004			H - 95	2	2
FG005			H - 95	4	2
FG029			H - 95		2
FG032			W/3 - 63	6	6
FG035			W	1	1
FG036			W H	1 2	1 2

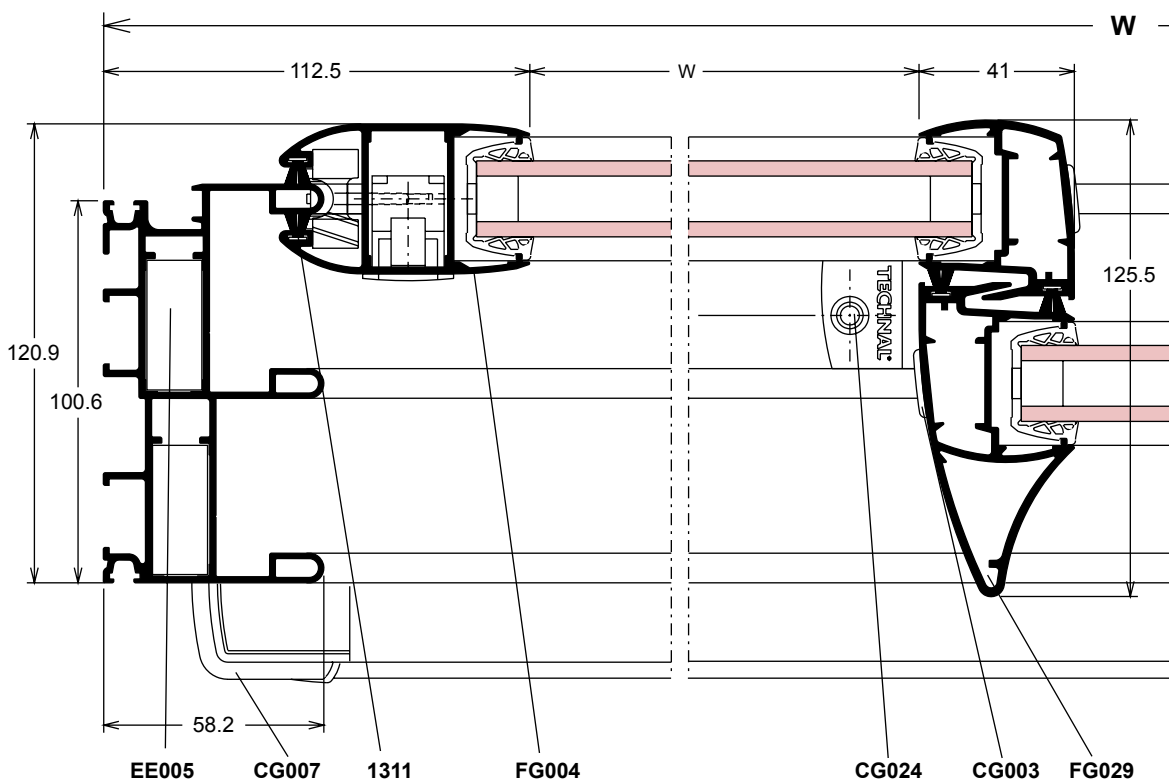
### GASKETS

Ref.	Window	Patio-door	Description
1311	8H + 4W	8H + 4W	Weatherpile gasket
JE001	2W + 6H	2W + 6H	Glazing gasket 20mm

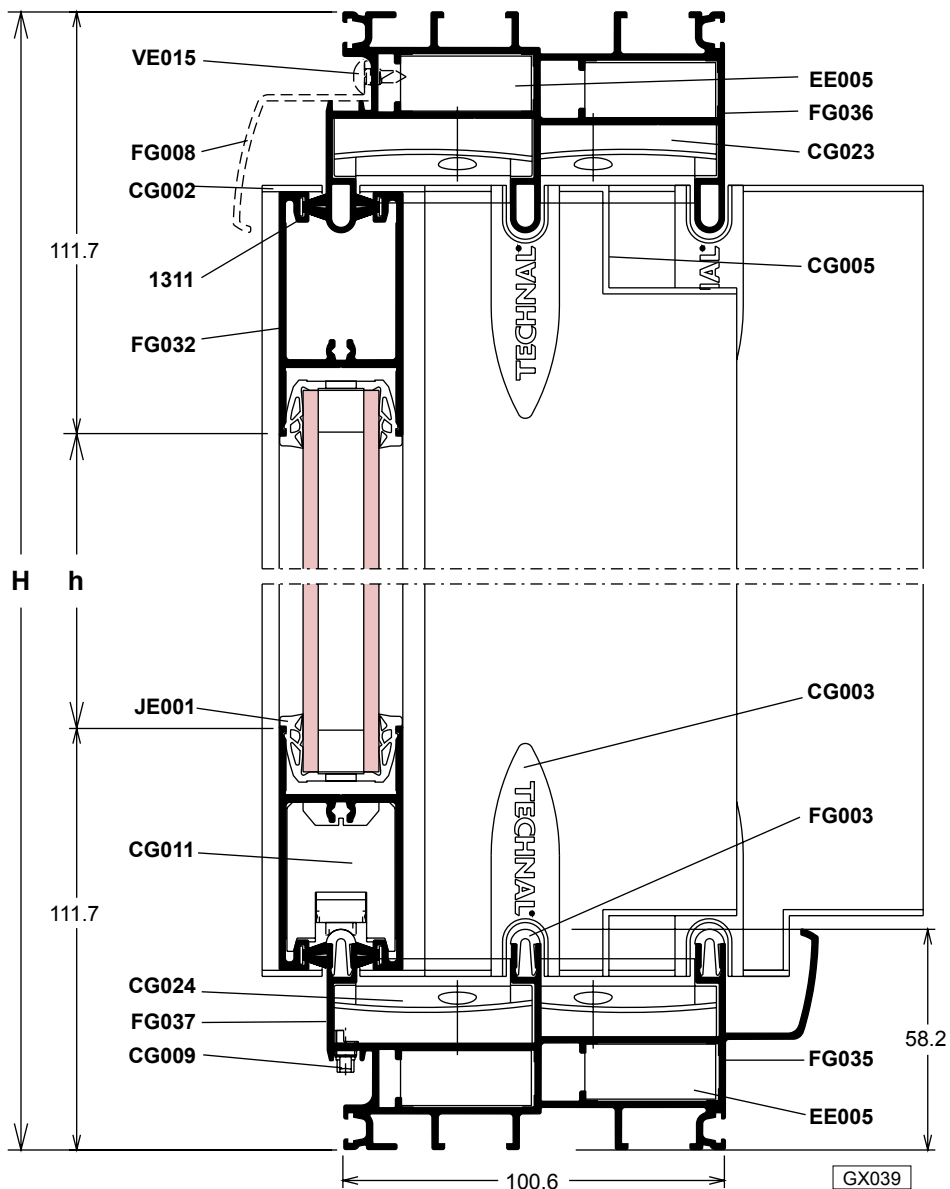
### OPTIONS

CG005 Cover, CG006 Cover, CG017 Handle, CG018 Handle

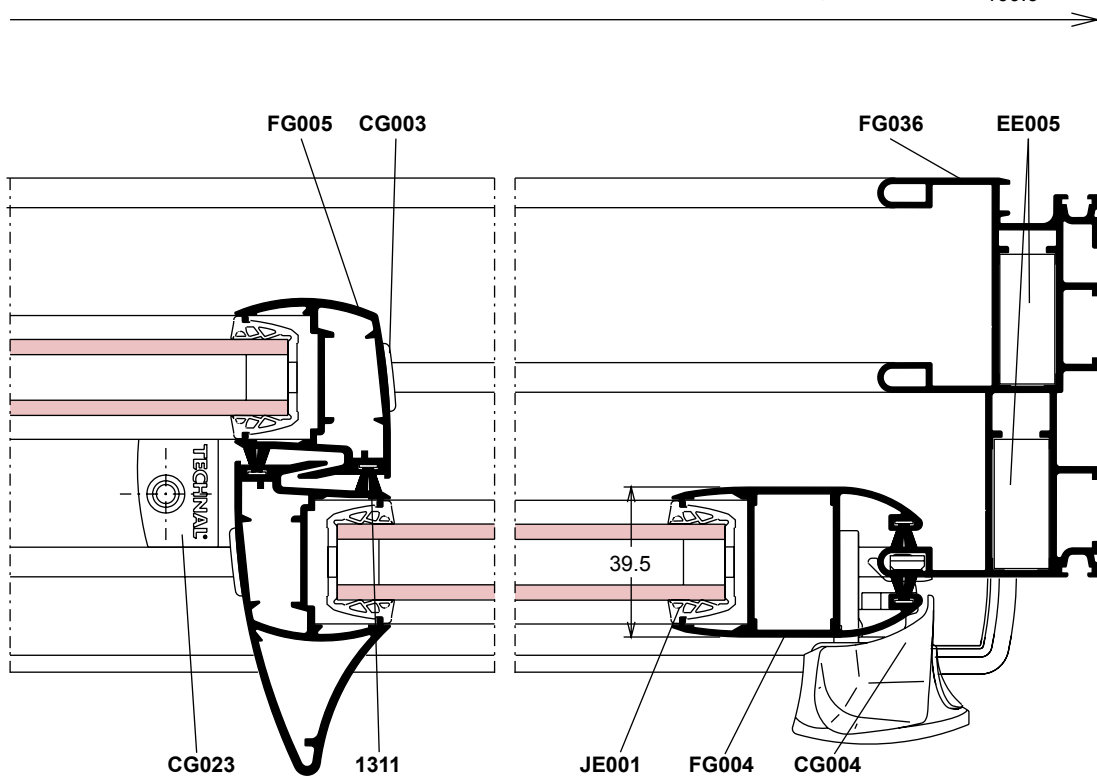
Horizontal section 1/2 scale



Vertical section 1/2 scale

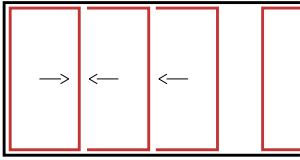


Glass dimensions	
H - 200.5	W/3 - 76
h + 23	W + 27



Applications

**6-leaf. 3-rail window and patio door**



Description for 20mm glass

ACCESSORIES

Ref.	Window	Patio-door	Description
1838	24	24	Stainless screw
CG002	8	8	Central plugs
CG003	16	16	Central guide
CG007	1	1	Drain pipe plug set
CG009	4	4	Catch center punch
CG010	12		Roller
CG011		12	Double roller
CG012	3	3	Catch
CG013	3	3	Catch center punch
CG020	4	6	Baffle fitting
CG023	2	2	Weathering plug
CG024	2	2	Central weathering plug
CG026	4	4	Lateral plug and stop
CG028	4	4	Corner cleat
EE005	8	8	Corner cleat
KG001	3	3	Lock

PROFILE DIMENSIONS

Ref.	Profile	Section	Dimensions	Window	Patio-door
FG003			W - 108.5	3	3
FG004			H - 95	4	2
FG005			H - 95	8	4
FG011			H - 95	1	1
FG012			H - 95		2
FG029			H - 95		4
FG032			W/6 - 49	12	12
FG035			W	1	1
FG036			W H	1 2	1 2

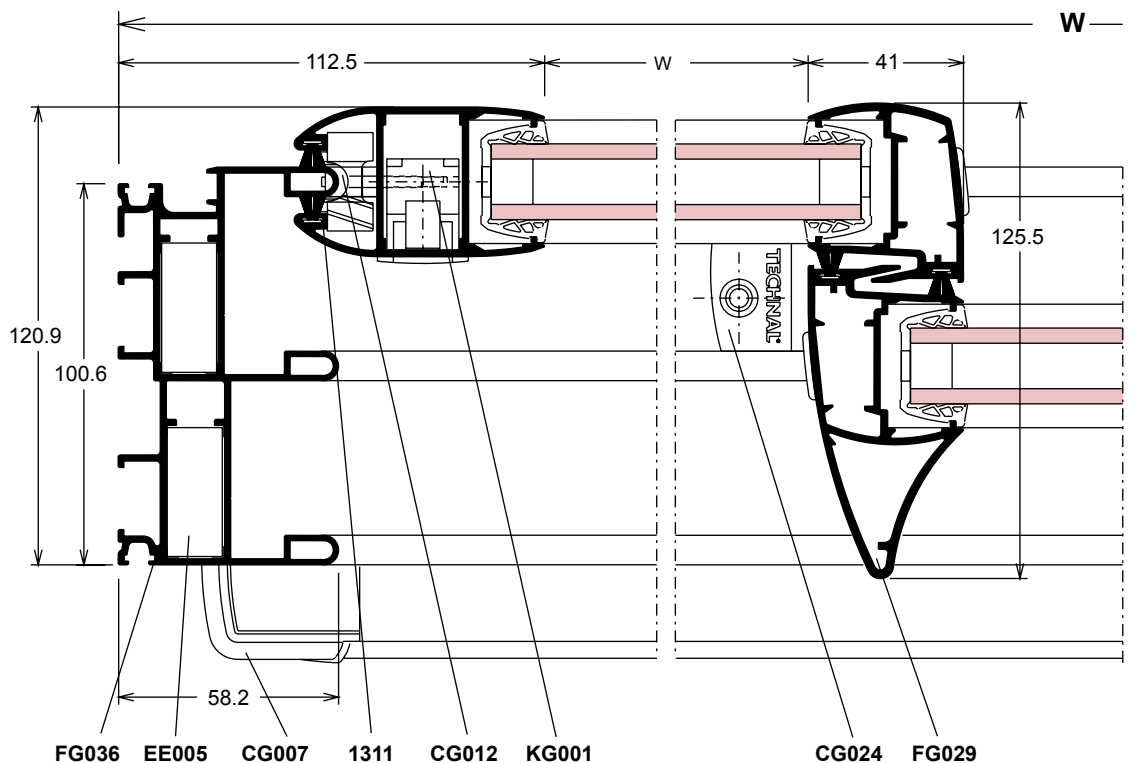
GASKETS

Ref.	Window	Patio-door	Description
1311	14H + 4W	814H + 4W	Weatherpile gasket
JE001	2W + 12H	2W + 12H	Glazing gasket 20mm

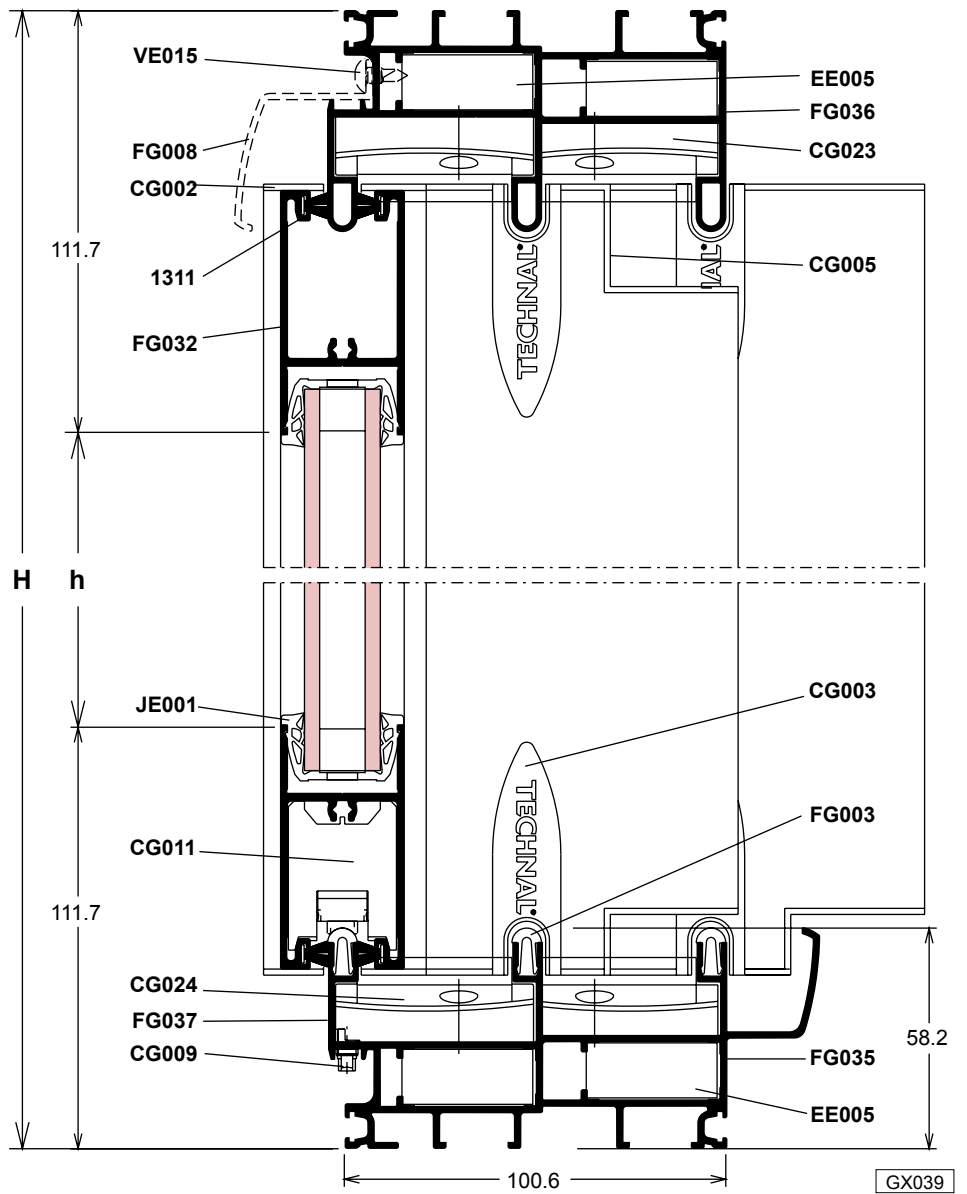
OPTIONS

CG005 Cover, CG006 Cover, CG017 Handle, CG018 Handle

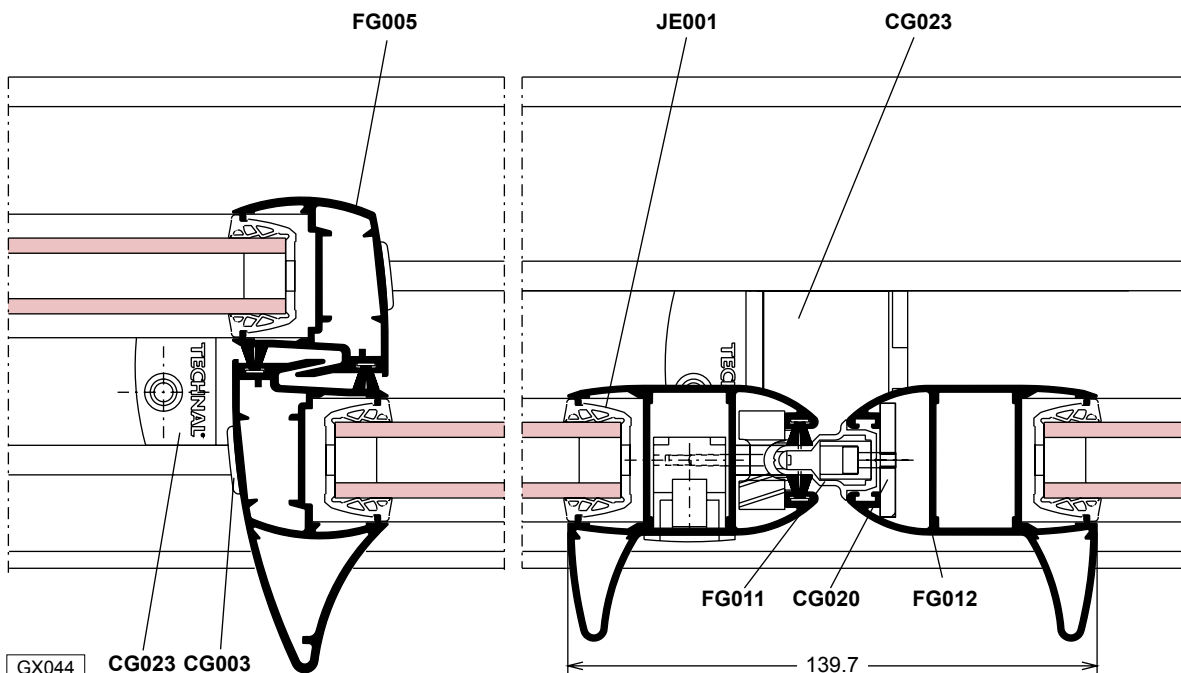
Horizontal section 1/2 scale



Vertical section 1/2 scale

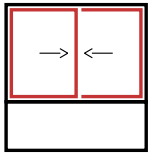


Glass dimensions	
H - 200.5	W/6 - 62
h + 23	W + 27



Applications

**2-leaf slider on bottom fixed light**



Description for 20mm glass (slider only)

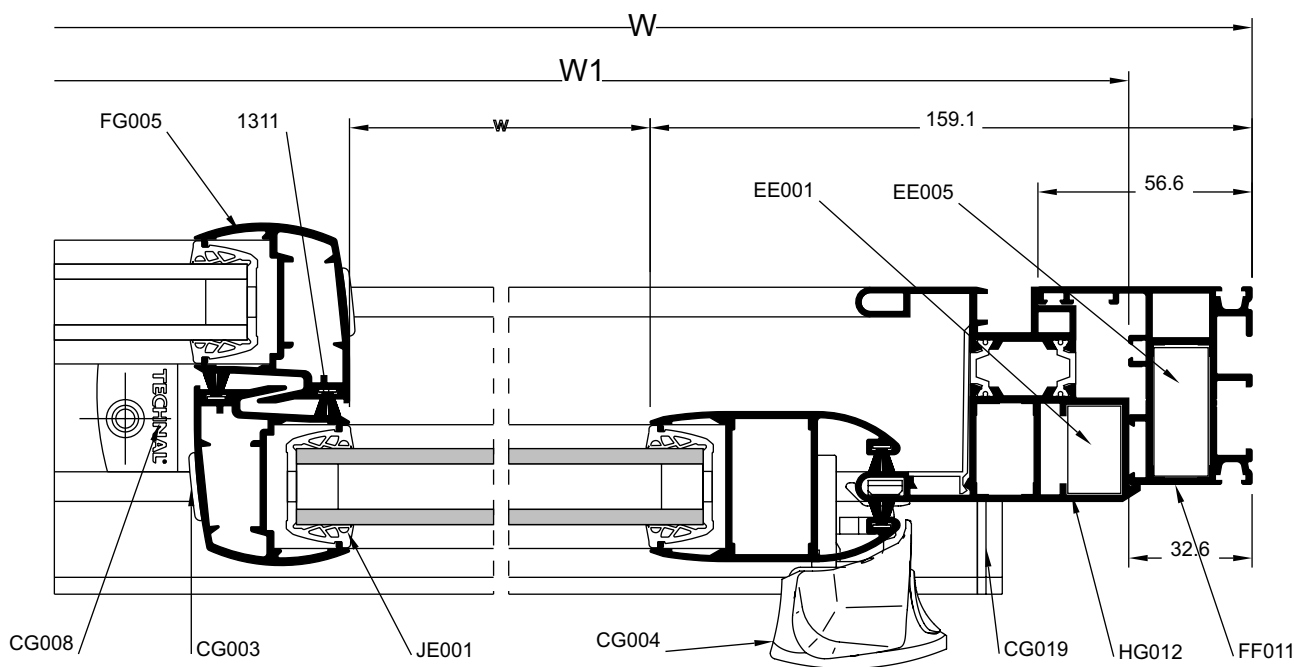
PROFILE DIMENSIONS

Ref.	Profile	Section	Qty	Dimensions
FG004			2	H1 - 123
FG005			2	H1 - 123
FG008			1	W1 - 30
FG009			1	W1 - 40
FG010			1	W1 - 40
FG032			4	W1/2 - 107
HG012			2 2	H1 + 6 W1 + 6
YG002			2 2	H1 - 84 W1 - 84

GASKETS

Ref.	Qty	Description
1311	6H1 + 4W1	Weatherpile gasket
JE001	2W1 + 4H1	Glazing gasket 20mm

Horizontal section 1/2 scale



Vertical section 1/2 scale

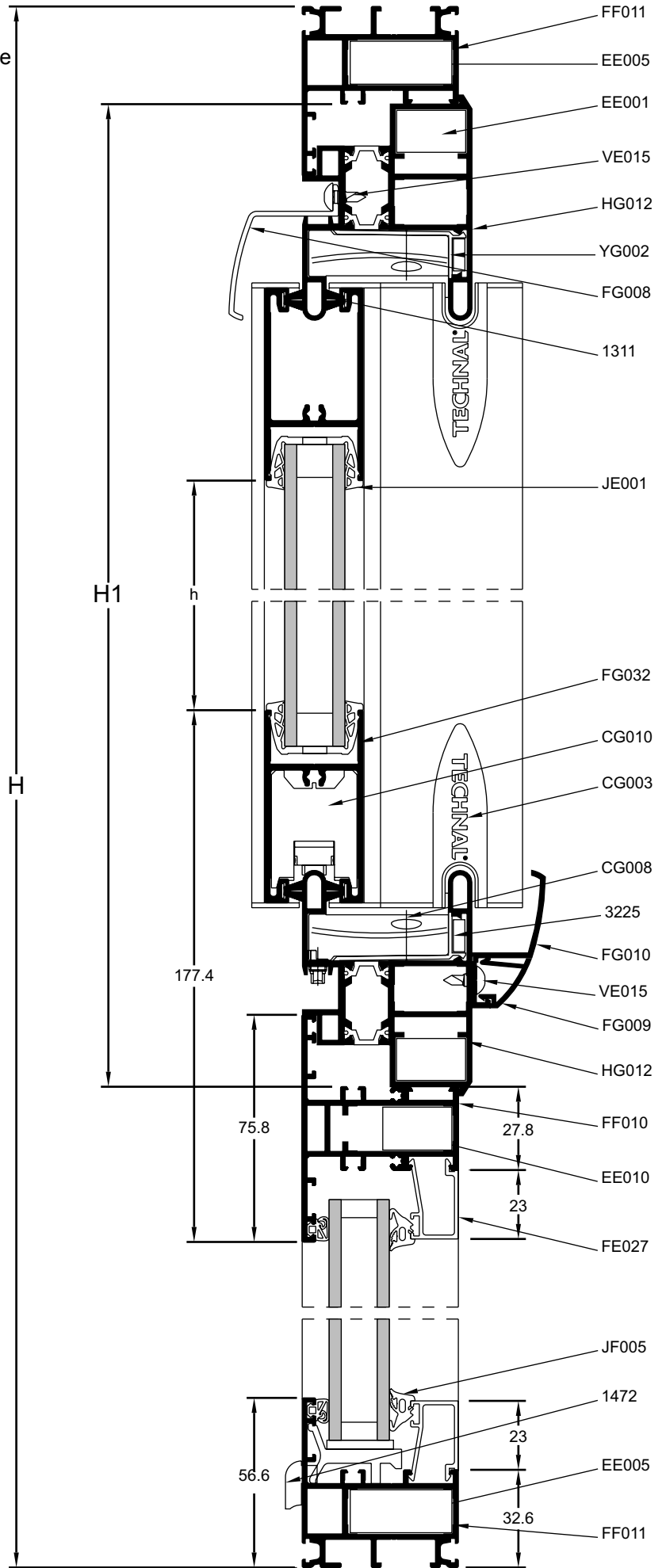
**ACCESSORIES**

Ref.	Qty	Description
1838	8	Stainless screw
3225	3	Weathering plug
CG002	2	Central plugs
CG003	4	Central guide
CG004	1	Half-moon semi-auto lock
CG008	1	Weathering plug
CG009	2	Catch center punch
CG010	4	Roller
CG012	1	Catch
CG013	1	Catch center punch
CG019	1	Drain pipe plug
CG026	2	Lateral plug and stop
CG028	4	Corner cleat
EE001	4	Corner cleat
KG001	1	Lock
VE015	3/m	Self drilling screw

**Glass**

**dimensions**

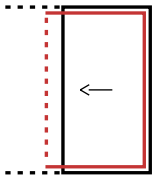
H1 - 228.5 | W1/2 - 120  
 h + 23 | W + 27



GX077

Applications

**Single-rail 1 leaf fully retractable door with integrated baffle, square cut outer frame**



Description for 20mm glass

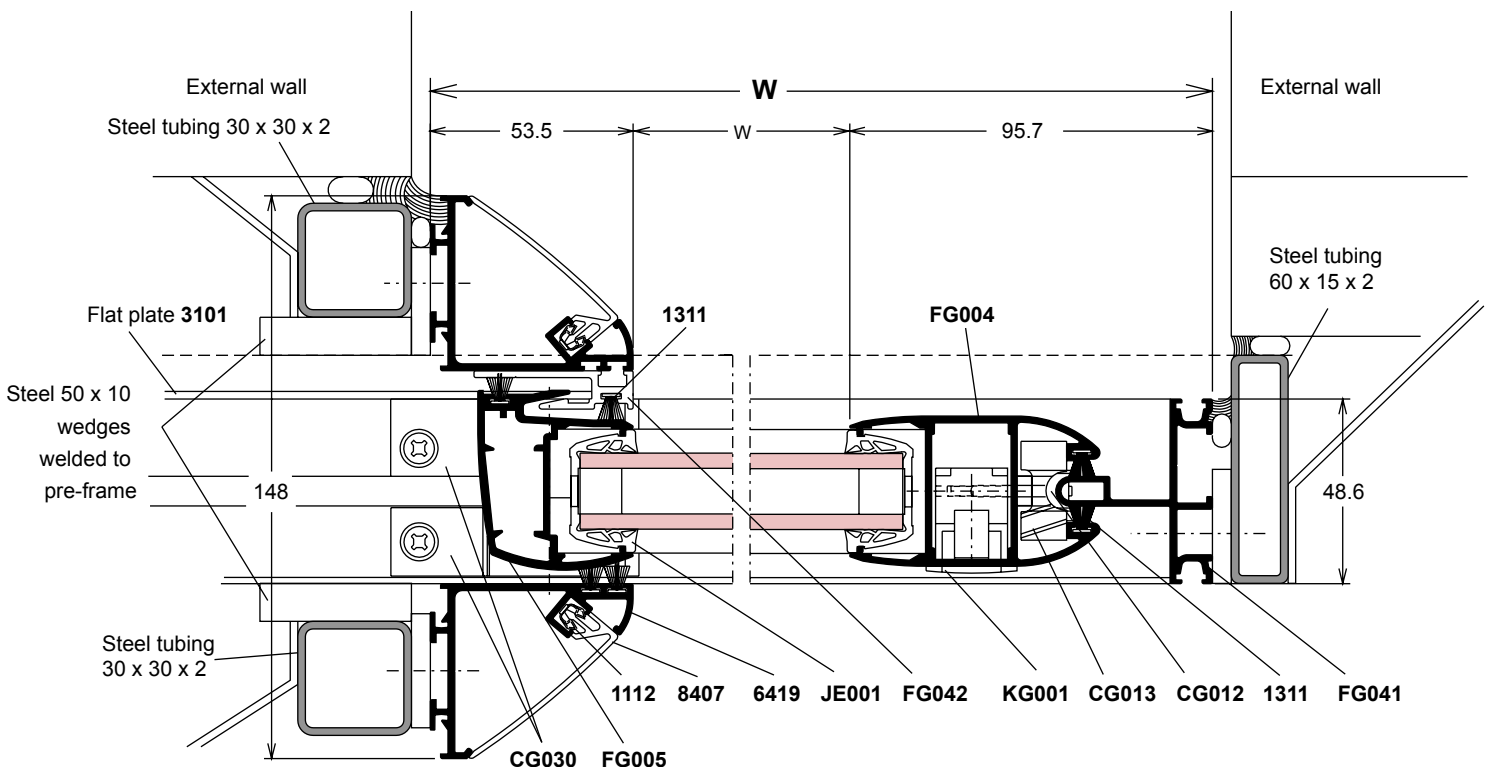
PROFILE DIMENSIONS

Ref.	Profile	Section	Qty	Dimensions
3101			1	W - 103
6419			2	H
8407			2	H
FG004			1	H - 95
FG005			1	H - 95
FG032			2	W - 109
FG040			2	2W - 157
FG041			1	H
FG042			1	H

GASKETS

Ref.	Qty	Description
1311	6H + 4W	Weatherpile gasket
JE001	2H + 2W	Glazing gasket 20mm

Horizontal section 1/2 scale



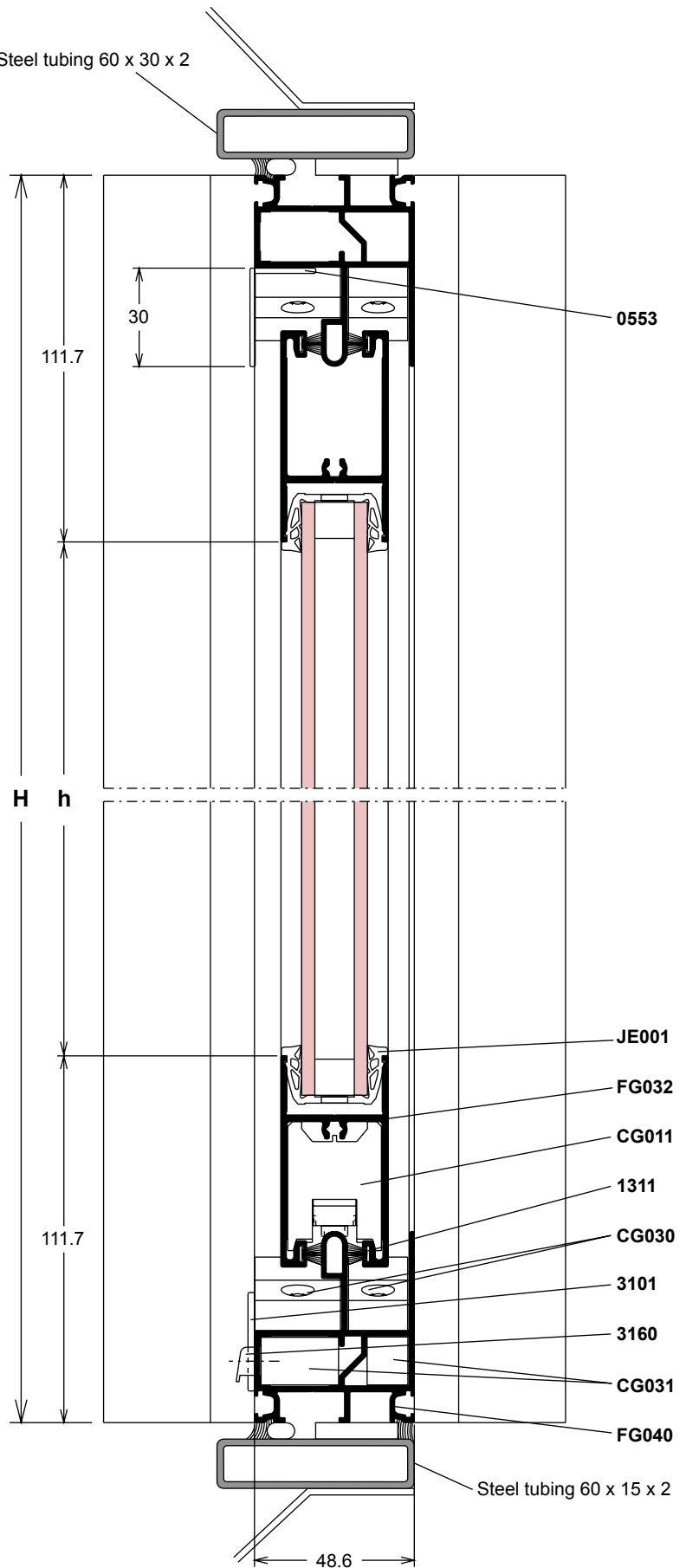


Vertical section 1/2 scale

Steel tubing 60 x 30 x 2

**ACCESSORIES**

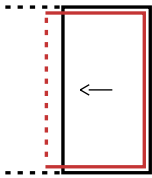
Ref.	Qty	Description
1112	2H x 3/lm	Clip
1838	4	Stainless screw
1841	2W x 3/lm	Screw 4.2 x 16
1842	H x 3/lm	Stainless screw 3.9 x 16
3160	2	Catch center punch
3178	2	Weathering Catch center punch
CG002	1	Central plugs
CG003	2	Central guide
CG011	2	Double roller
CG012	1	Catch
CG013	1	Catch center punch
CG026	1	Lateral plug and stop
CG030	1	Plug
CG031	1	Plug
KG001	1	Lock



Glass dimensions	
H - 200.5	W - 122
h + 23	W + 27

**TECHNAL**

GX049



Applications

**Single-rail 1 leaf fully retractable door with baffle, square cut outer frame**

Description for 20mm glass

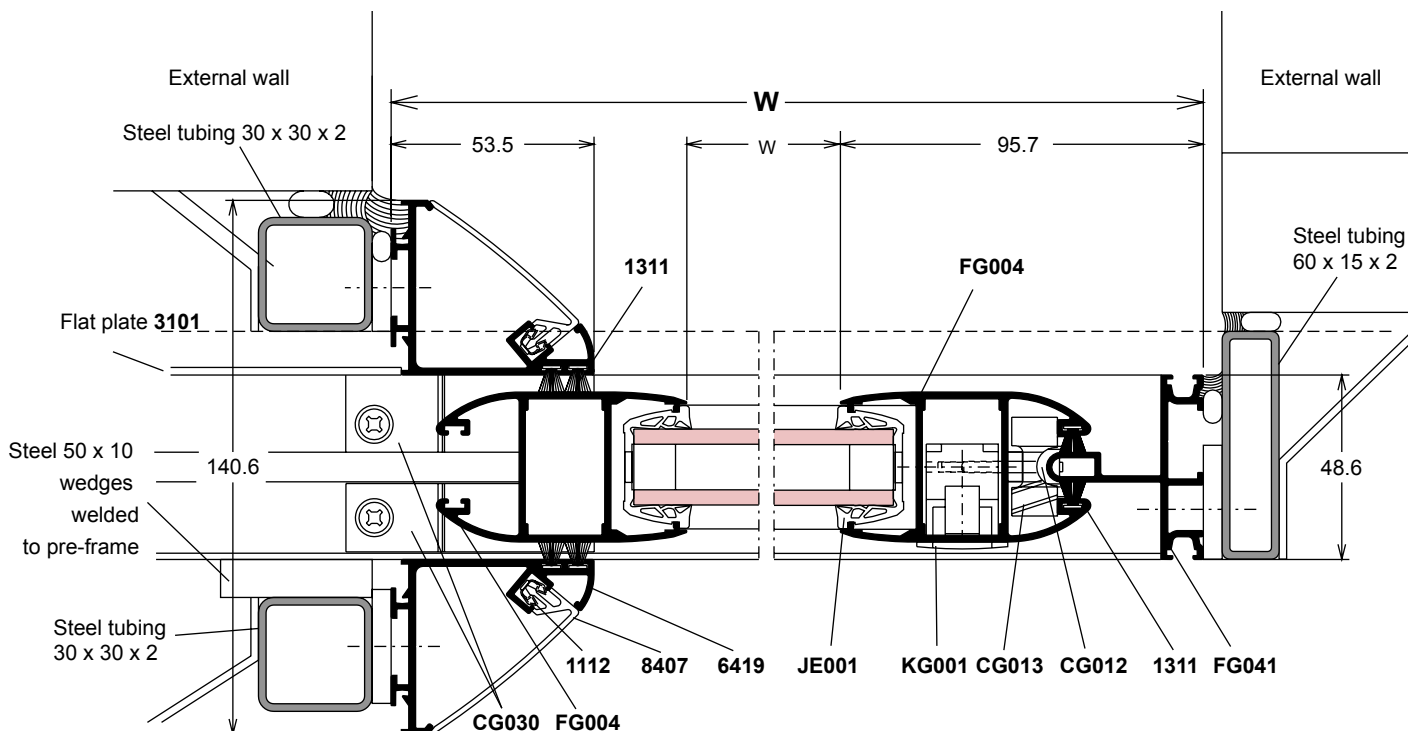
PROFILE DIMENSIONS

Ref.	Profile	Section	Qty	Dimensions
3101			1	W - 143
6419			2	H
8407			2	H
FG004			2	H - 95
FG032			2	W - 134
FG040			2	2W - 157
FG041			1	H

GASKETS

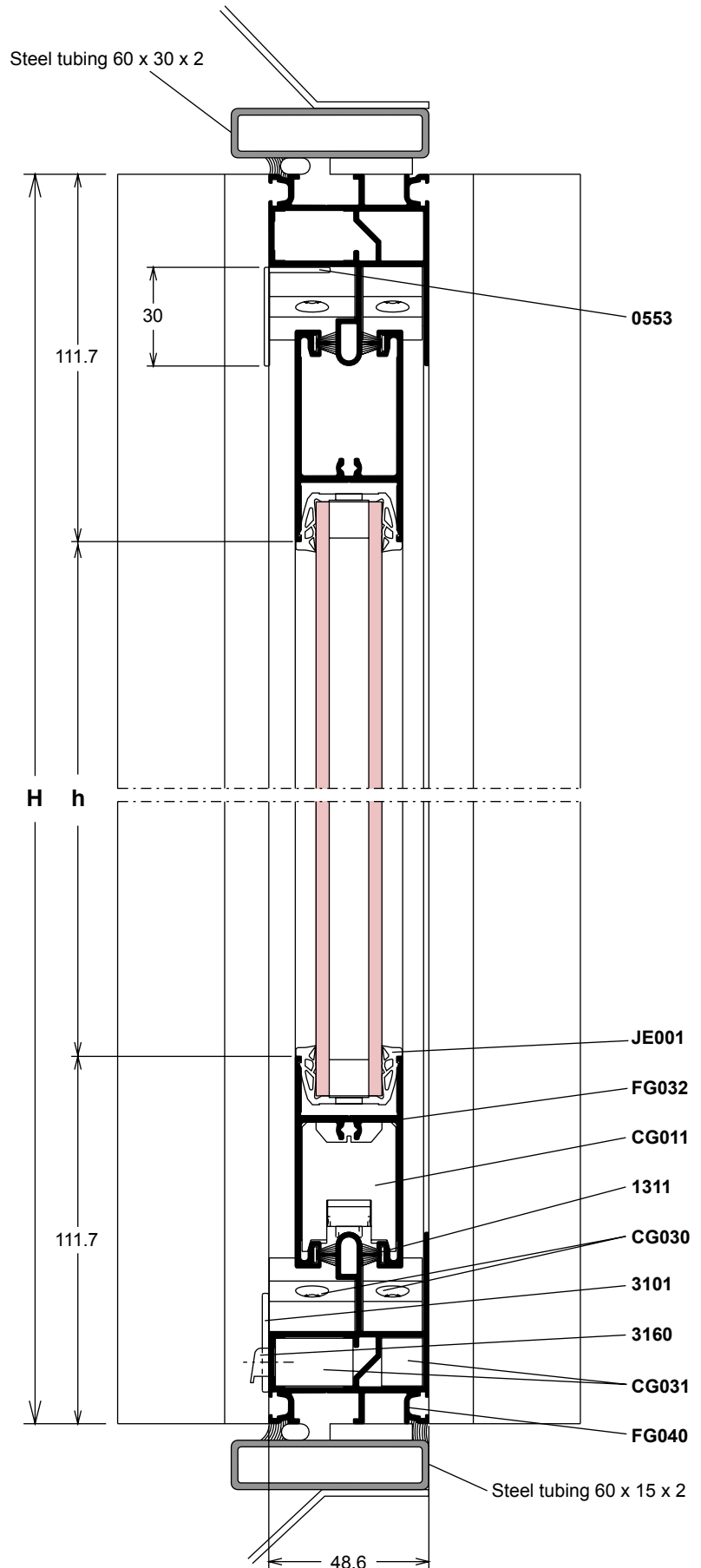
Ref.	Qty	Description
1311	6H + 4W	Weatherpile gasket
JE001	2H + 2W	Glazing gasket 20mm

Horizontal section 1/2 scale



GX048

Vertical section 1/2 scale



**ACCESSORIES**

Ref.	Qty	Description
1112	2H x 3/lm	Clip
1838	4	Stainless screw
1841	2W x 3/lm	Screw 4.2 x 16
3160	2	Catch center punch
3178	2	Weathering Catch center punch
CG011	2	Double roller
CG012	1	Catch
CG013	1	Catch center punch
CG026	1	Lateral plug and stop
CG030	1	Plug
CG031	1	Plug
KG001	1	Lock

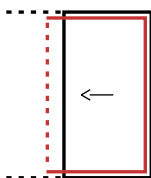
**Glass**

**dimensions**

H - 200.5	W - 147
h + 23	W + 27

Applications

**Single-rail 1 leaf fully retractable door with integrated baffle, peripheral outer frame**



Description for 20mm glass

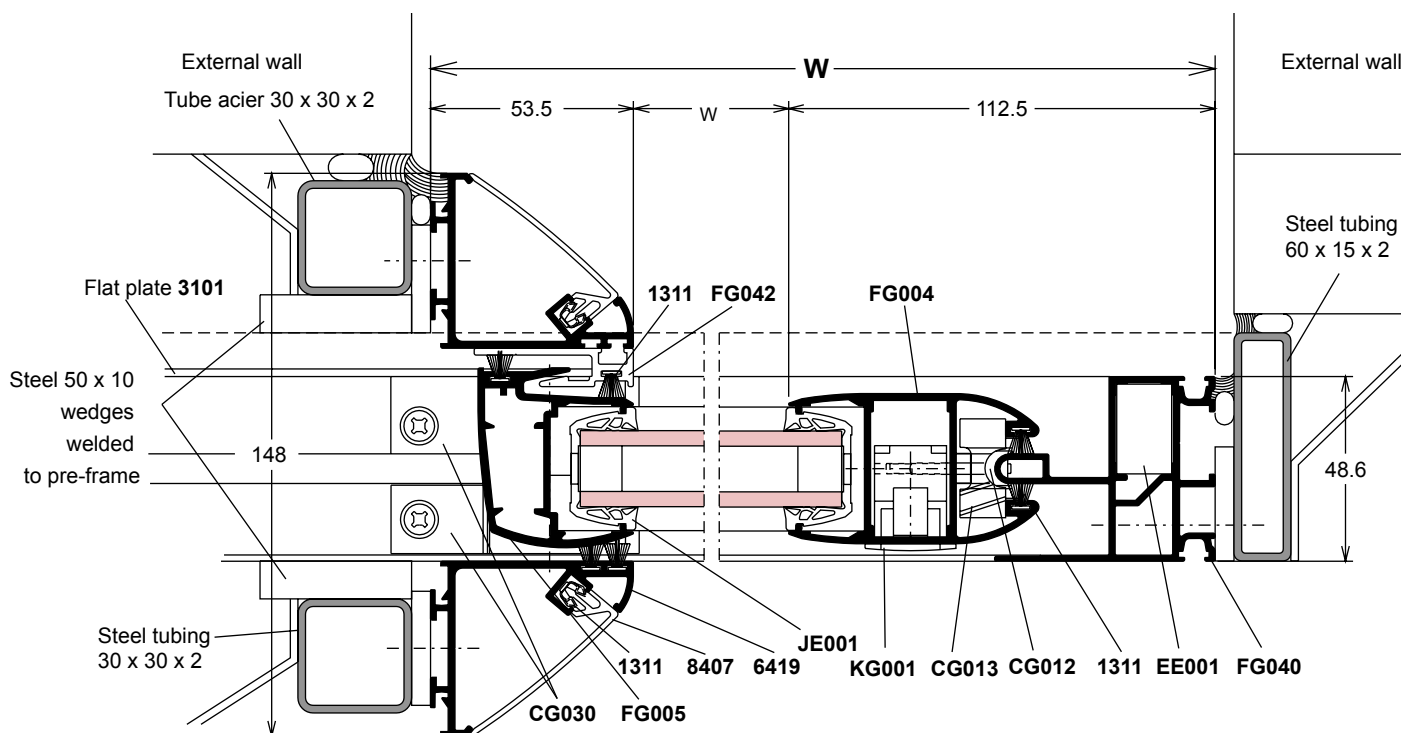
PROFILE DIMENSIONS

Ref.	Profile	Section	Qty	Dimensions
3101			1	W - 120
6419			2	H
8407			2	H
FG004			1	H - 95
FG005			1	H - 95
FG032			2	W - 126
FG040			1 1	2W - 162.5 H
FG042			1	H

GASKETS

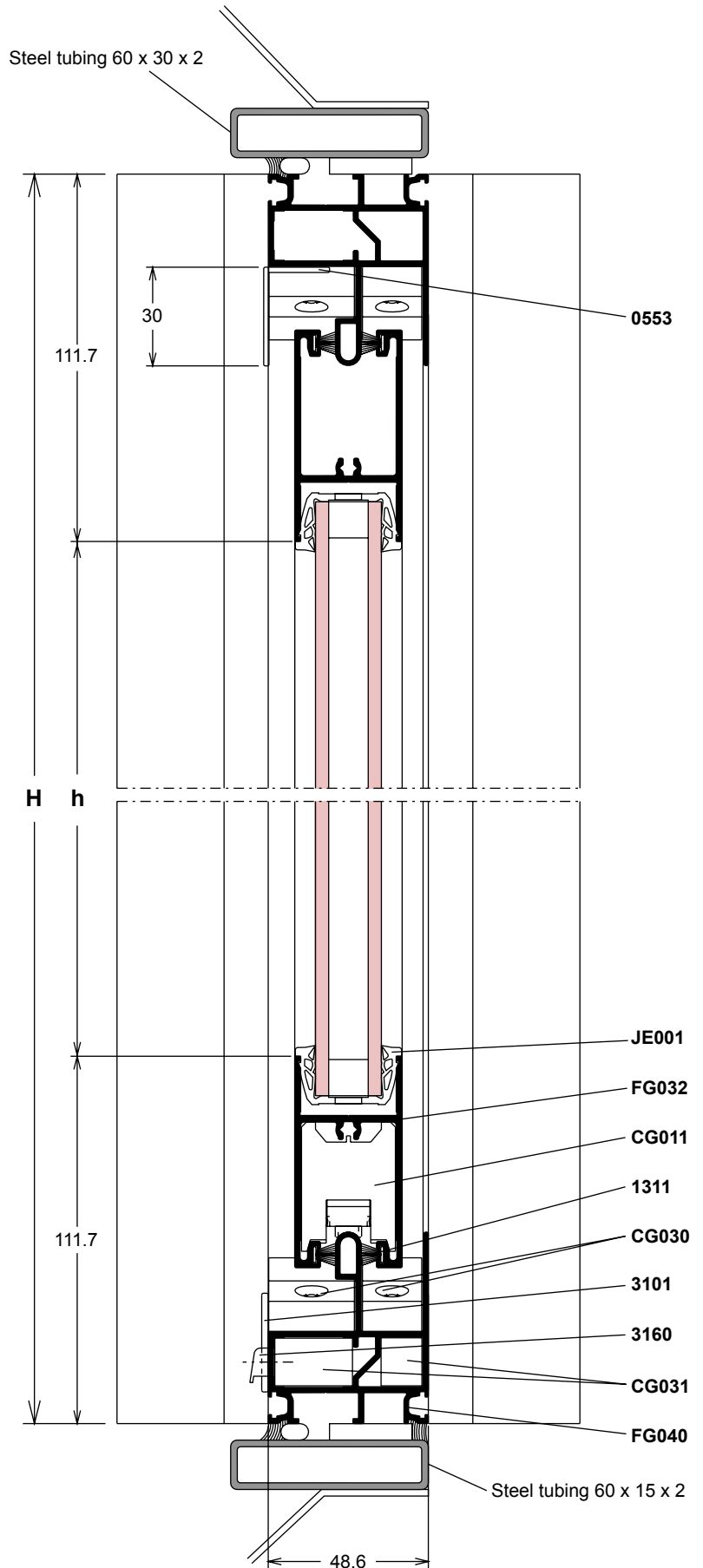
Ref.	Qty	Description
1311	6H + 4W	Weatherpile gasket
JE001	2H + 2W	Glazing gasket 20mm

Horizontal section 1/2 scale



GX045

Vertical section 1/2 scale



**ACCESSORIES**

Ref.	Qty	Description
1112	2H x 3/lm	Clip
1838	4	Stainless screw
1841	W x 3/lm	Screw 4.2 x 16
1842	H x 3/lm	Stainless screw 3.9 x 16
3160	2	Catch center punch
3178	2	Weathering Catch center punch
CG002	1	Central plugs
CG003	2	Central guide
CG011	2	Double roller
CG012	1	Catch
CG013	1	Catch center punch
CG026	1	Lateral plug and stop
CG030	1	Plug
CG031	1	Plug
EE001	2	Corner cleat
KG001	1	Lock

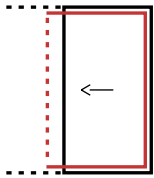
**Glass**

**dimensions**

H - 200.5	W - 139
h + 23	W + 27

TECHNAL

GX049



Applications

**Single-rail 1 leaf fully retractable door with baffle, peripheral outer frame**

Description for 20mm glass

TECHNAL®

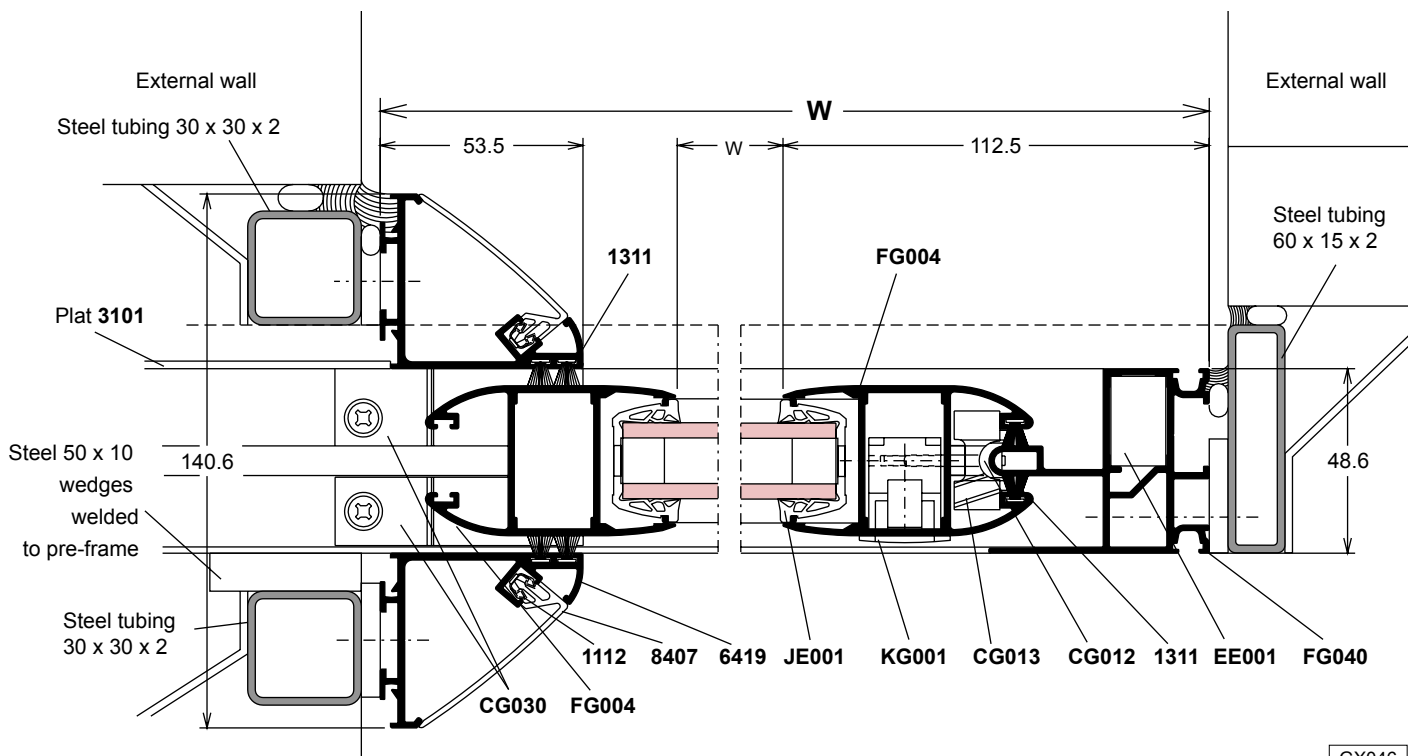
PROFILE DIMENSIONS

Ref.	Profile	Section	Qty	Dimensions
3101			1	W - 160
6419			2	H
8407			2	H
FG004			2	H - 95
FG032			2	W - 151
FG040			1 1	2W - 162.5 H

GASKETS

Ref.	Qty	Description
1311	6H + 4W	Weatherpile gasket
JE001	2H + 2W	Glazing gasket 20mm

Horizontal section 1/2 scale

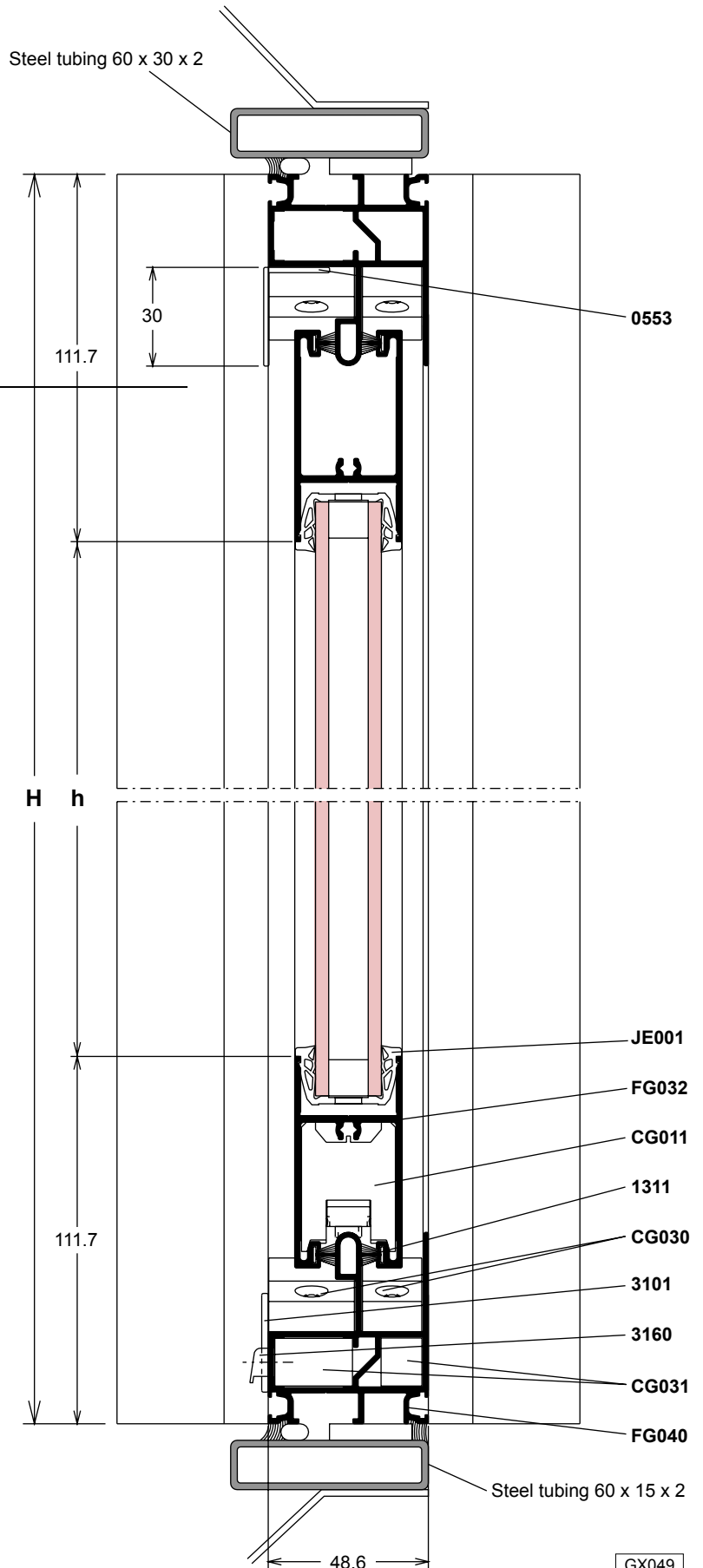


GX046

Vertical section 1/2 scale

**ACCESSORIES**

Ref.	Qty	Description
1112	2H x 3/m	Clip
1838	4	Stainless screw
1841	W x 3/m	Screw 4.2 x 16
3160	2	Catch center punch
3178	2	Weathering Catch center punch
CG011	2	Double roller
CG012	1	Catch
CG013	1	Catch center punch
CG026	1	Lateral plug and stop
CG030	1	Plug
CG031	1	Plug
EE001	2	Corner cleat
KG001	1	Lock



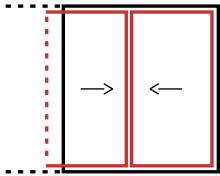
Glass dimensions	
H - 200.5	W - 164
h + 23	W + 27

TECHNAL

GX049

Applications

**Single-rail 2 leaf fully retractable face-to-face doors with integrated baffle**



Description for 20mm glass

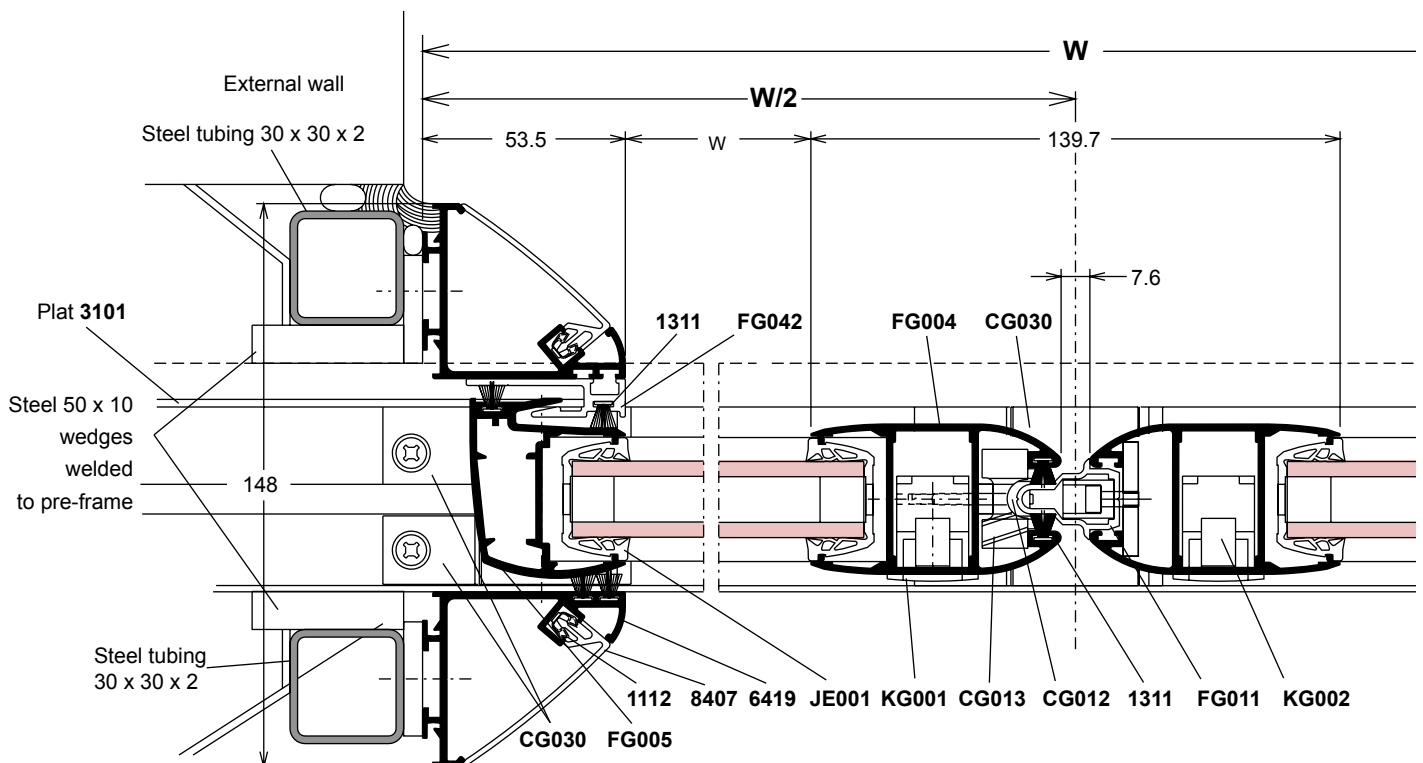
PROFILE DIMENSIONS

Ref.	Profile	Section	Qty	Dimensions
3101			2	W/2 - 77
6419			4	H
8407			4	H
FG004			2	H - 95
FG005			2	H - 95
FG011			1	H - 95
FG032			4	W/2 - 83.5
FG040			2	2W - 239.5
FG042			2	H

GASKETS

Ref.	Qty	Description
1311	10H + 4W	Weatherpile gasket
JE001	4H + 2W	Glazing gasket 20mm

Horizontal section 1/2 scale



GX050

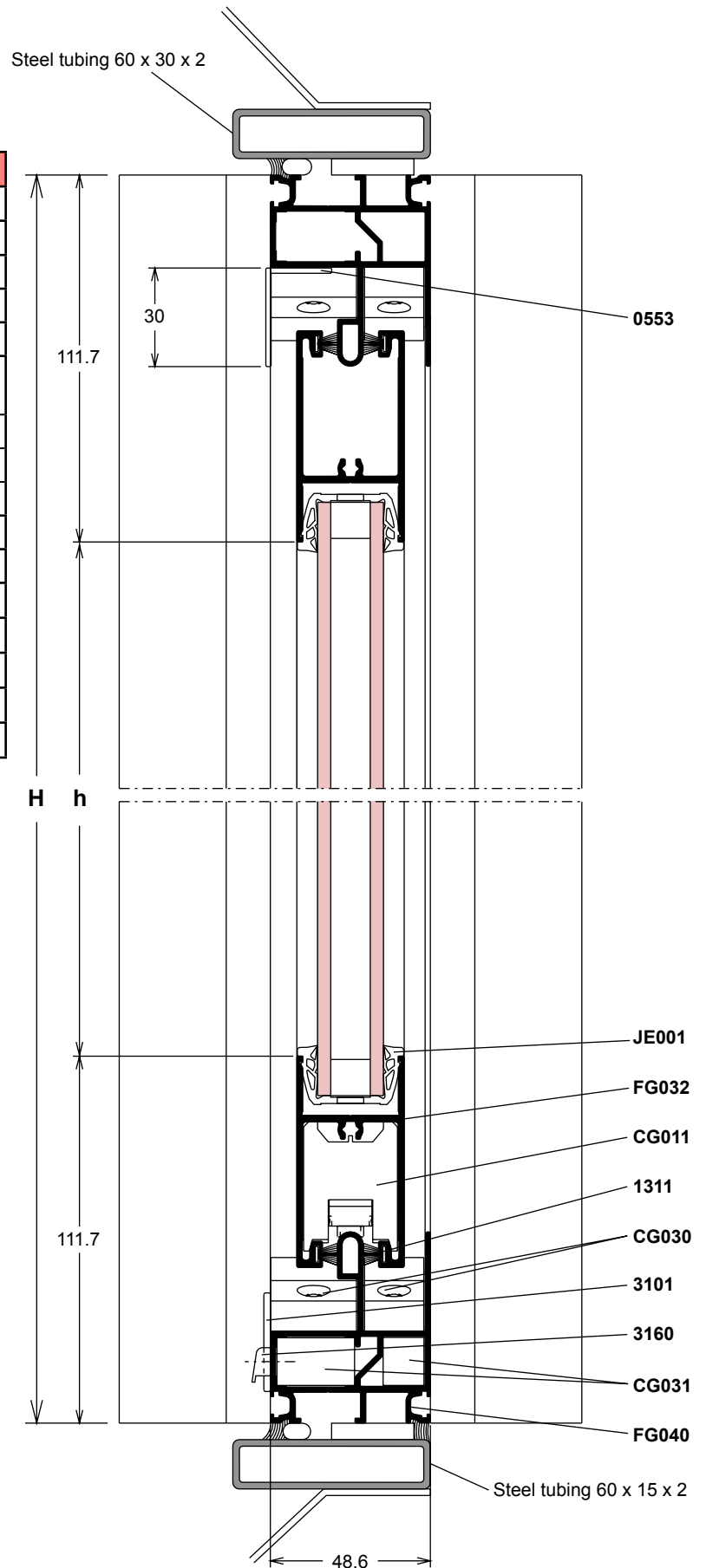


Vertical section 1/2 scale

**ACCESSORIES**

Ref.	Qty	Description
1112	4H x 3/lm	Clip
1838	8	Stainless screw
1841	W x 3/lm	Screw 4.2 x 16
1842	2H x 3/lm	Screw 3.9 x 16
3160	4	Catch center punch
3178	4	Weathering Catch center punch
CG002	2	Central plugs
CG003	4	Central guide
CG011	4	Double roller
CG012	1	Catch
CG013	1	Catch center punch
CG020	6	Baffle fitting
CG026	2	Lateral plug and stop
CG030	3	Plug
CG031	1	Plug
KG001	1	Lock

Glass dimensions	
2(H - 200.5)	2(W/2 - 96.5)
h + 23	W + 27



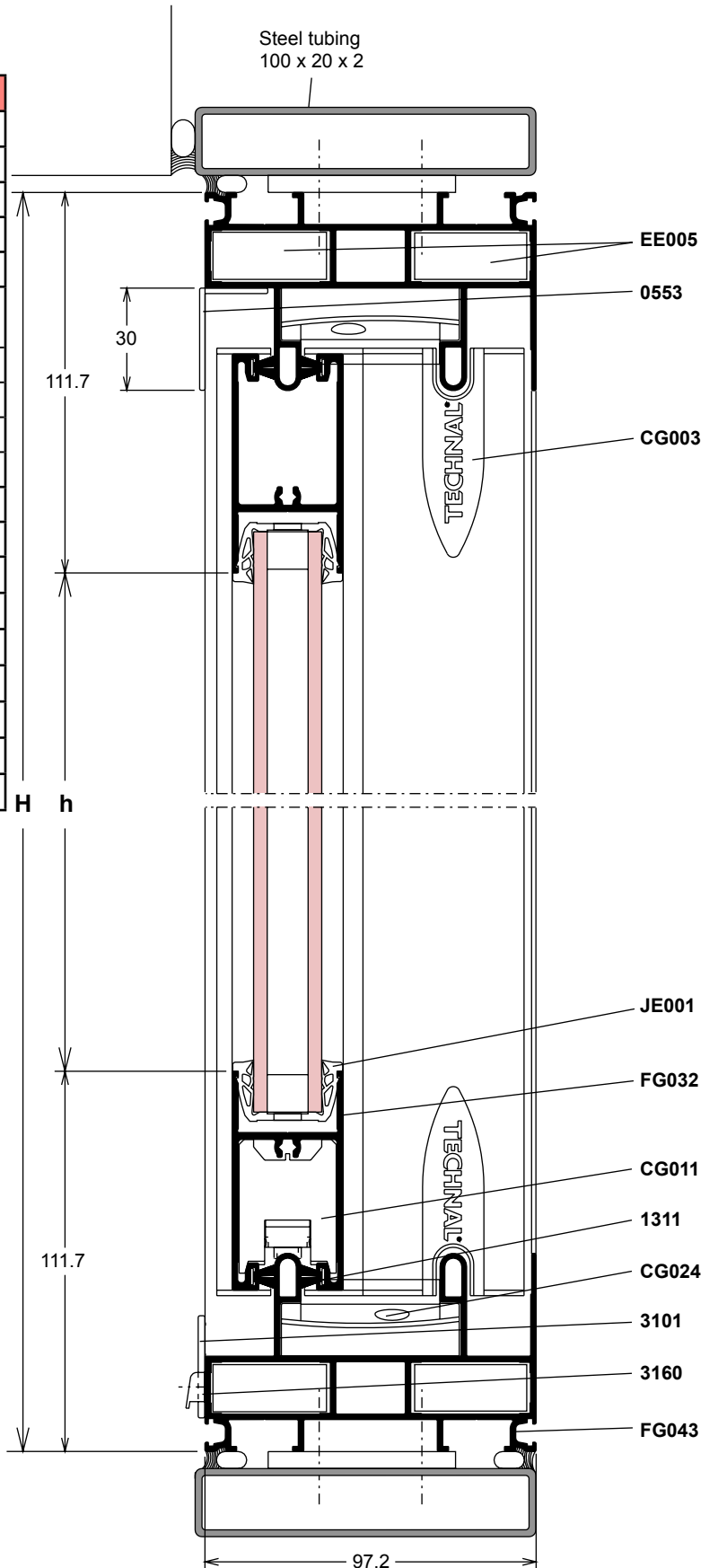
GX049



Vertical section 1/2 scale

**ACCESSORIES**

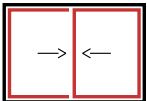
Ref.	Qty	Description
1112	2H x 3/lm	Clip
1838	8	Stainless screw
1841	W x 3/lm	Screw 4.2 x 16
1842	H x 3/lm	Screw 3.9 x 16
3160	2	Catch center punch
3178	2	Weathering Catch center punch
CG002	3	Central plugs
CG003	6	Central guide
CG005	1	Cover
CG011	4	Double roller
CG012	1	Catch
CG013	1	Catch center punch
CG021	2	Stop block
CG024	1	Central weathering plug
CG026	1	Lateral plug and stop
CG030	1	Plug
CG031	1	Plug
EE005	4	Variable angle corner cleat
KG001	1	Lock



**Glass dimensions**

(H - 200.5)	(W/2 - 76.5)
h + 23	W + 27

**TECHNAL**



# Applications

## 2-leaf window

Description for 20mm glass

Vertical section 1/2 scale

### PROFILE DIMENSIONS

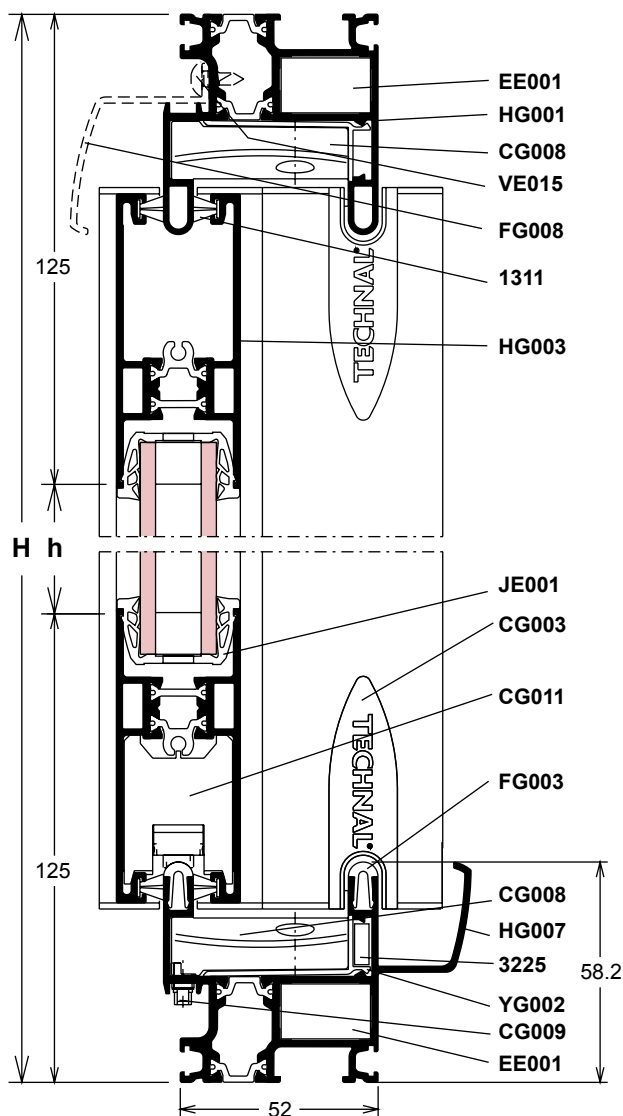
Ref.	Profile	Section	Qty	Dimensions
FG001			2	H - 95
FG003			2	W - 108.5
HG001			2	H - 95
HG003			4	W/2 - 100
HG007			1	W
HG008			2	H
			1	W
YG001			2	H - 95
YG002			2	W - 56
			2	H - 56

### GASKETS

Ref.	Qty	Description
1311	6H + 4W	Weatherpile gasket
JE001	2W + 4H	Glazing gasket 20mm

### ACCESSORIES

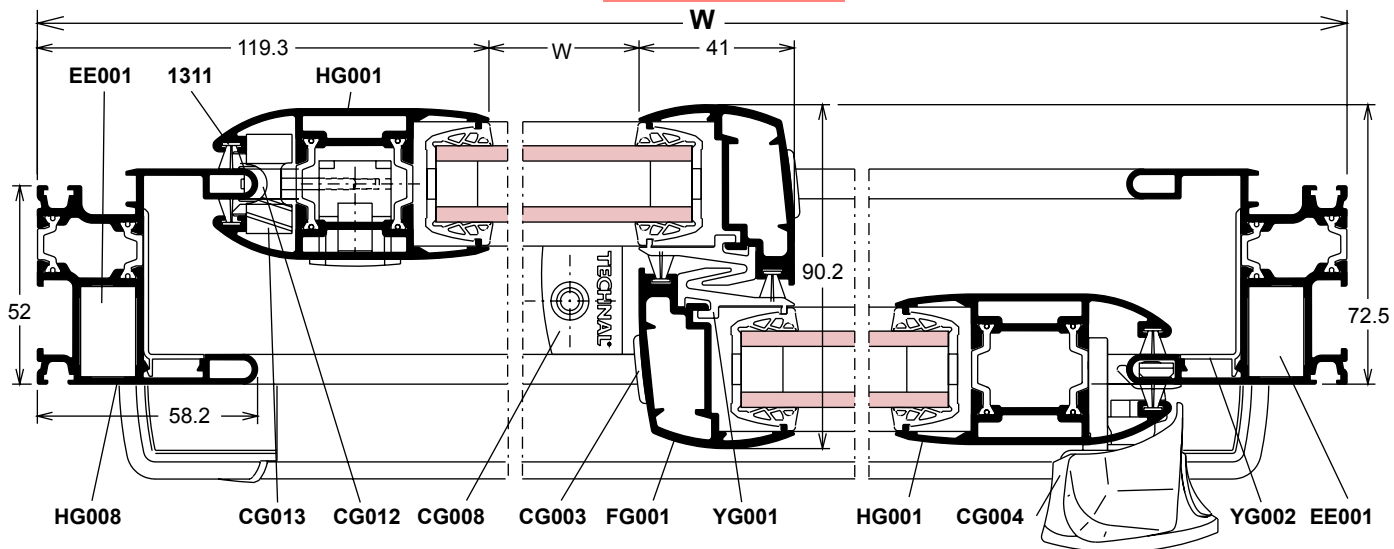
Ref.	Qty	Description
1838	8	Stainless screw
3225	3	Weathering plug
CG001	2	Lateral plug
CG002	2	Central plugs
CG003	4	Central guide
CG004	1	Half-moon semi-auto lock
CG007	1	Drain pipe plug set
CG008	1	Weathering plug
CG009	2	Catch center punch
CG010	4	Roller
CG012	1	Catch
CG013	1	Catch center punch
CG028	4	Corner cleat
EE001	4	Corner cleat 15 x 24
KG001	1	Lock



**Glass dimensions**

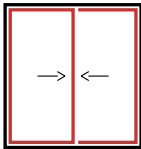
H - 227	W/2 - 113
h + 23	W + 27

GXi052



Horizontal section 1/2 scale

GXi046



## Applications

# 2-leaf patio door

Description for 20mm glass

### PROFILE DIMENSIONS

Ref.	Profile	Section	Qty	Dimensions
FG001			1	H - 95
FG002			1	H - 95
FG003			2	W - 108.5
HG001			2	H - 95
HG003			4	W/2 - 100
HG007			1	1W
HG008			2	H
			1	W
YG001			2	H - 95
YG002			2	W - 56
			2	H - 56

### ACCESSORIES

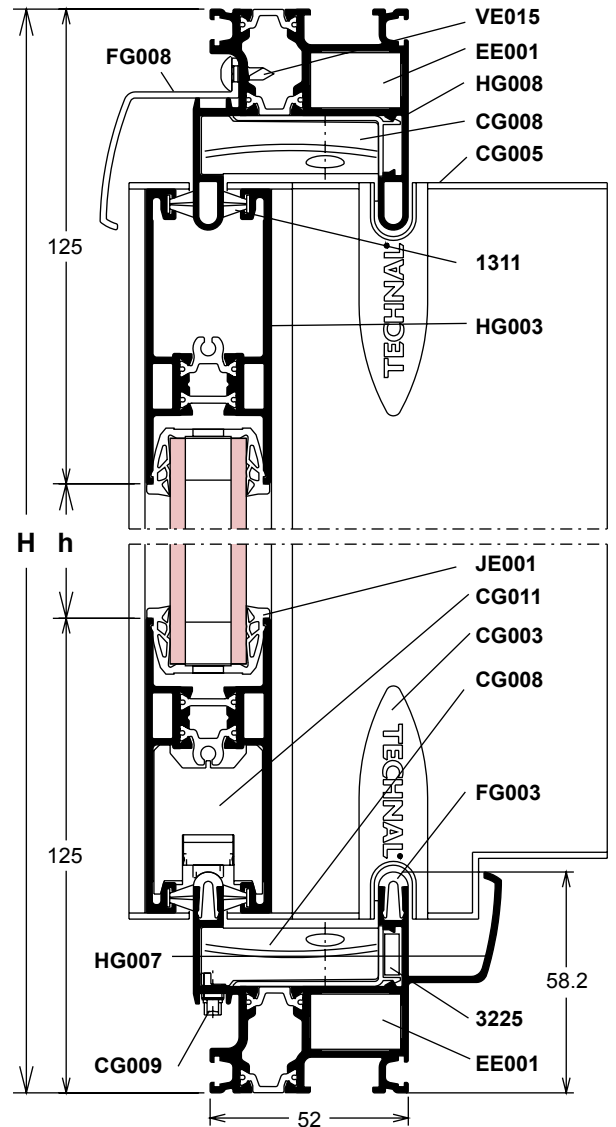
Ref.	Qty	Description
1838	8	Stainless screw
3225	3	Weathering plug
CG001	2	Lateral plug
CG002	2	Central plugs
CG003	4	Central guide
CG004	1	Half-moon semi-auto lock
CG005	1	Cover
CG007	1	Drain pipe plug set
CG008	1	Weathering plug
CG009	2	Catch center punch
CG011	4	Double roller
CG012	1	Catch
CG013	1	Catch center punch
CG028	4	Corner cleat
EE001	4	Corner cleat 15 x 24
KG001	1	Lock

Glass dimensions	
H - 227	W/2 - 113
h + 23	W + 27

### GASKETS

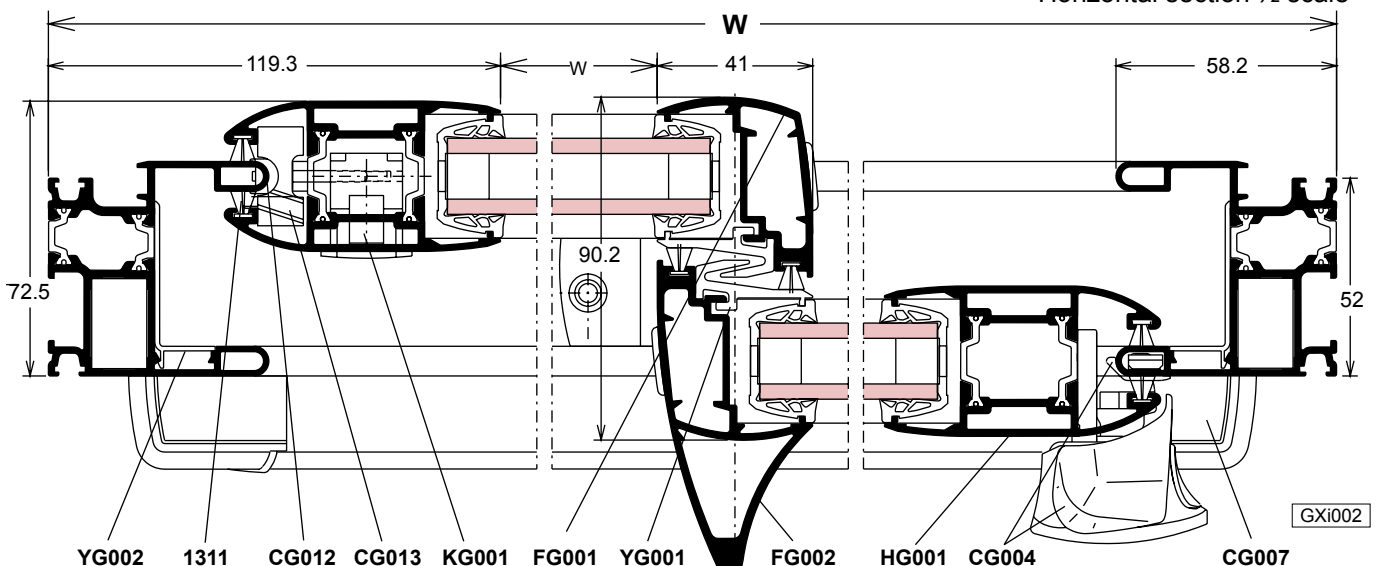
Ref.	Qty	Description
1311	6H + 4W	Weatherpile gasket
JE001	2W + 4H	Glazing gasket 20mm

Vertical section 1/2 scale



GXi003

Horizontal section 1/2 scale

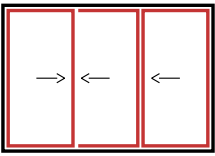
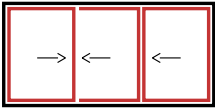


GXi002

TECHNAL

Applications

**3-leaf dependent window and patio door**



Description for 20mm glass

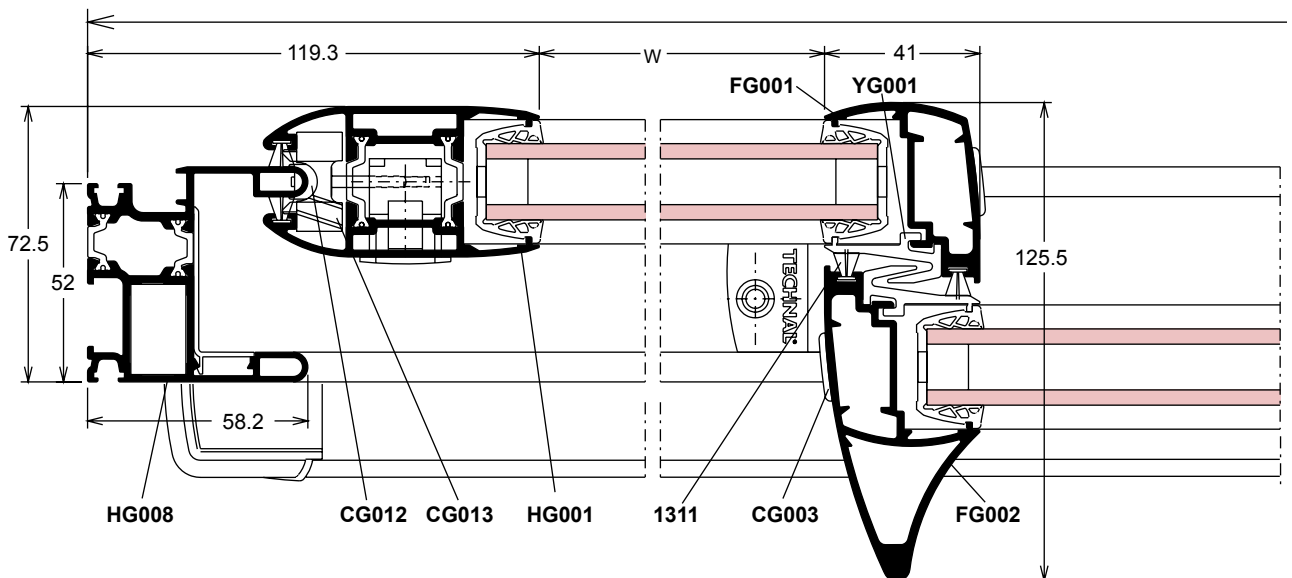
PROFILE DIMENSIONS

Ref.	Profile	Section	Dimensions	Window	Patio-door
FG001			H - 95	2	1
FG002			H - 95		1
FG003			W - 108.5	2	2
FG011			H - 95	1	1
HG001			H - 95	4	2
HG002			H - 95		2
HG003			W/3 - 104.5	6	6
HG007			W	1	1
HG008			H W	2 1	2 1
YG001			H - 95	2	2
YG002			W - 56 H - 56	2 2	2 2

GASKETS

Ref.	Window	Patio-door	Description
1311	8H + 4W	8H + 4W	Weatherpile gasket
JE001	2W + 6H	2W + 6H	Glazing gasket 20mm

Horizontal section 1/2 scale



Vertical section 1/2 scale

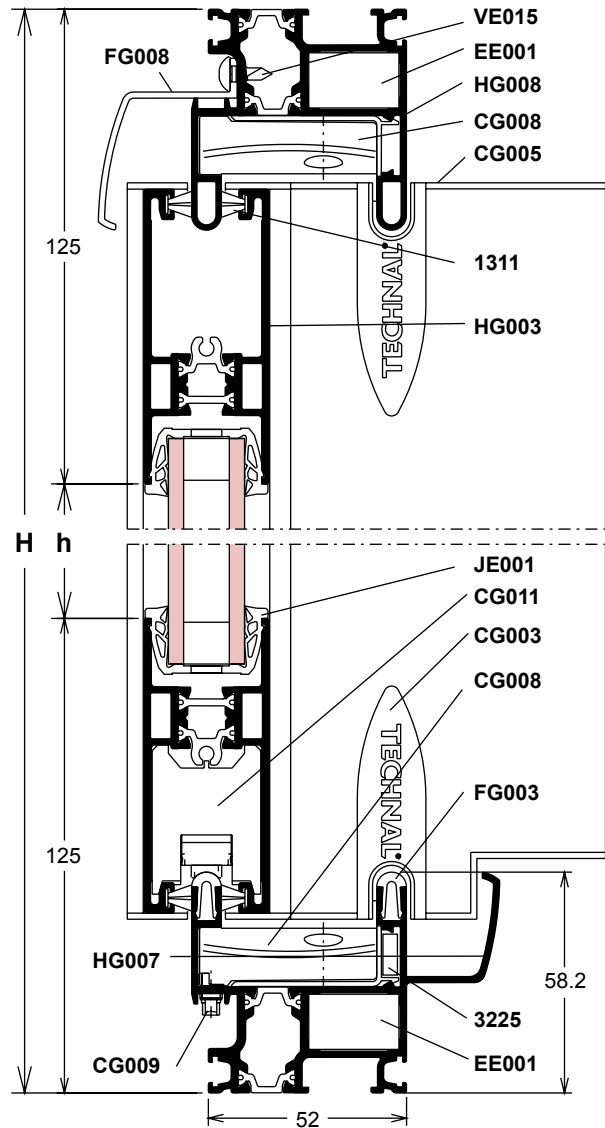
**ACCESSORIES**

Ref.	Window	Patio-door	Description
1838	12	12	Stainless screw
3225	3	3	Weathering plug
CG001	4	4	Lateral plug
CG002	2	2	Central plugs
CG003	4	4	Central guide
CG007	1	1	Drain pipe plug set
CG008	2	2	Weathering plug
CG009	2	2	Catch center punch
CG010	6		Roller
CG011		6	Double roller
CG012	3	3	Catch
CG013	3	3	Catch center punch
CG020	4	6	Baffle fitting
CG028	4	4	Corner cleat
EE001	4	4	Corner cleat 15 x 24
KG001	3	3	Lock

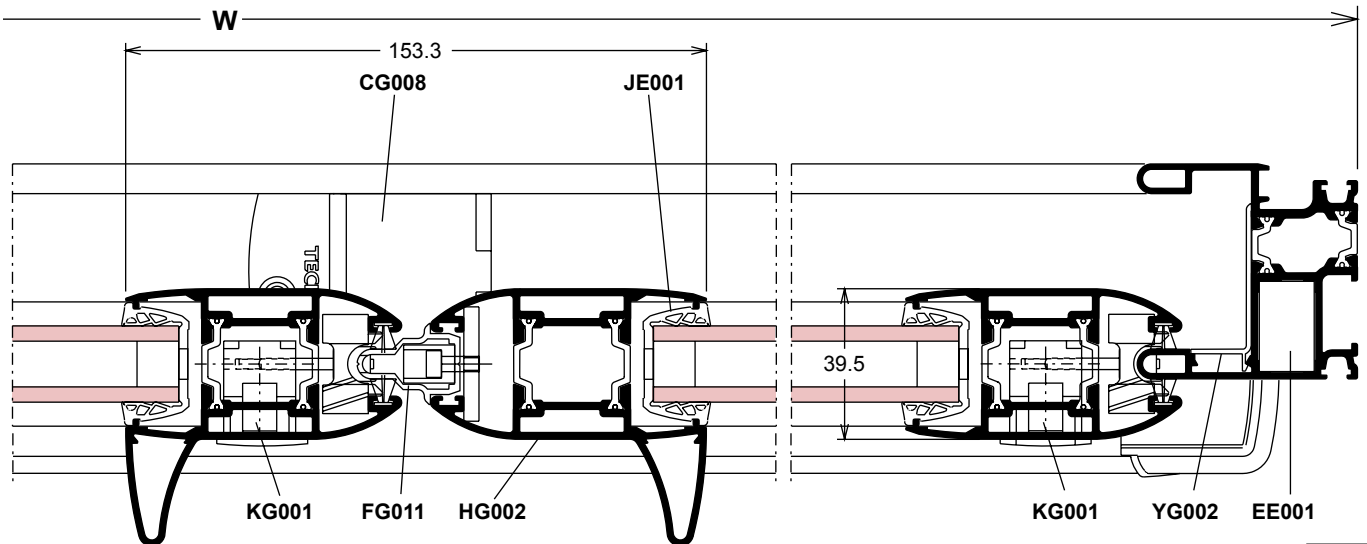
**OPTIONS**

CG005 Cover, CG006 Cover, CG017 Handle

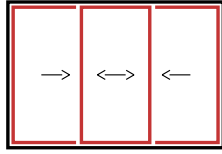
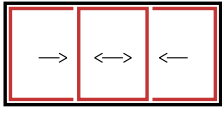
Glass dimensions	
H - 227	W/3 - 117.5
h + 23	W + 27



GXi003



GXi049



Description for 20mm glass

Applications

**3-leaf independent window and patio door**

PROFILE DIMENSIONS

Ref.	Profile	Section	Dimensions	Window	Patio-door
FG001			H - 95	4	2
FG002			H - 95		2
FG003			W - 108.5	2	2
HG001			H - 95	2	2
HG003			W/3 - 67.5	6	6
HG007			W	1	1
HG008			H W	2 1	2 1
YG001			H - 95	4	4
YG002			W - 56 H - 56	2 2	2 2

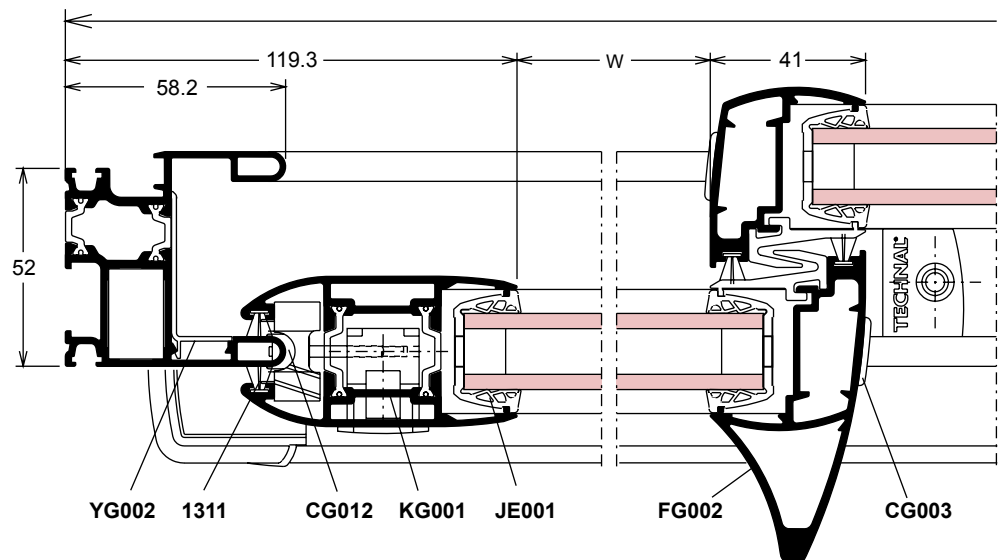
GASKETS

Ref.	Window	Patio-door	Description
1311	8H + 4W	8H + 4W	Weatherpile gasket
JE001	2W + 6H	2W + 6H	Glazing gasket 20mm

OPTIONS

HG002 Reinforced lateral upright

Horizontal section 1/2 scale





Vertical section 1/2 scale

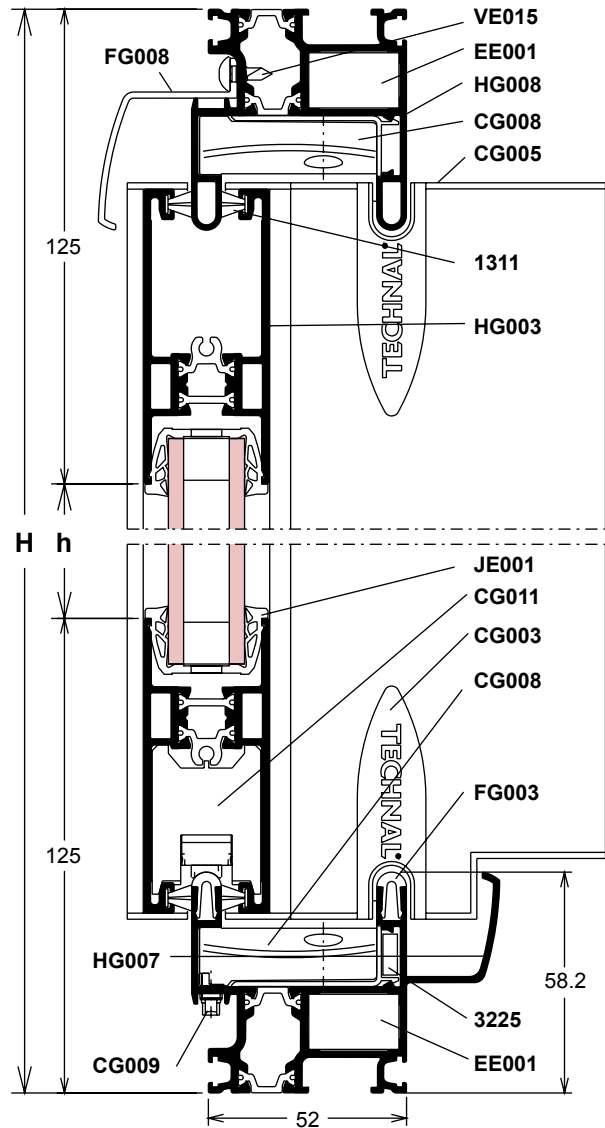
**ACCESSORIES**

Ref.	Window	Patio-door	Description
1838	12	12	Stainless screw
3225	4	4	Weathering plug
CG001	2	2	Lateral plug
CG002	4	4	Central plugs
CG003	8	8	Central guide
CG004	1	1	Half-moon semi-auto lock
CG007	1	1	Drain pipe plug set
CG008	2	2	Weathering plug
CG009	2	2	Catch center punch
CG010	6		Roller
CG011		6	Double roller
CG012	1	1	Catch
CG013	1	1	Catch center punch
CG028	4	4	Corner cleat
EE001	4	4	Corner cleat 15 x 24
KG001	1	1	Lock

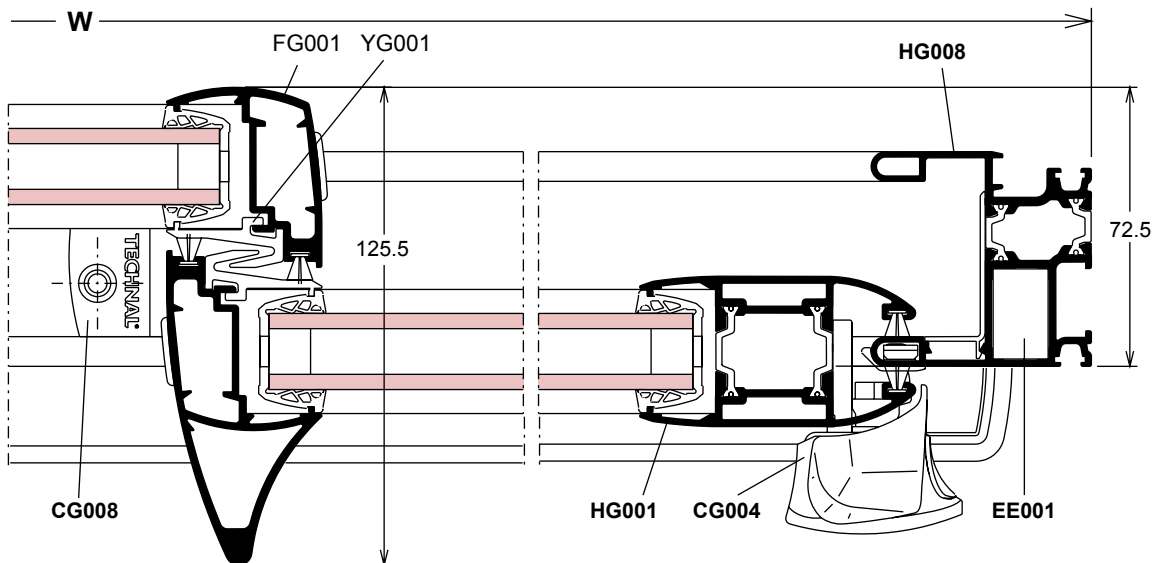
**OPTIONS**

G005 Cover, CG006 Cover

Glass dimensions	
H - 227	W/3 - 80
h + 23	W + 27



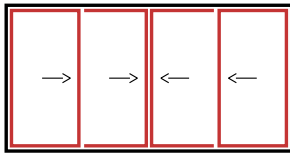
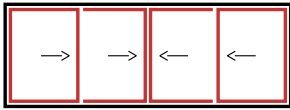
GXi003



GXi048

Applications

**4-leaf window and patio door**



Description for 20mm glass

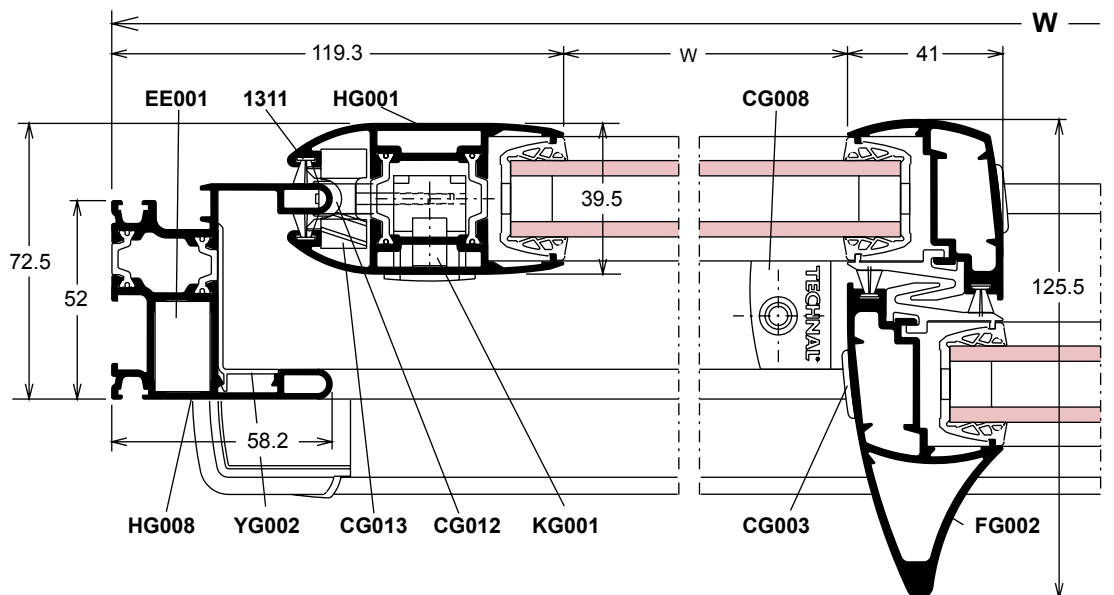
PROFILE DIMENSIONS

Ref.	Profile	Section	Dimensions	Window	Patio-door
FG001			H - 95	4	2
FG002			H - 95		2
FG003			W - 108.5	2	2
FG011			H - 95	1	1
HG001			H - 95	4	2
HG002			H - 95		2
HG003			W/4 - 79	8	8
HG007			W	1	1
HG008			H W	2 1	2 1
YG001			H - 95	4	4
YG002			W - 56 H - 56	2 2	2 2

GASKETS

Ref.	Window	Patio-door	Description
1311	10H + 4W	10H + 4W	Weatherpile gasket
JE001	2W + 8H	2W + 8H	Glazing gasket 20mm

Horizontal section 1/2 scale



Vertical section 1/2 scale

**ACCESSORIES**

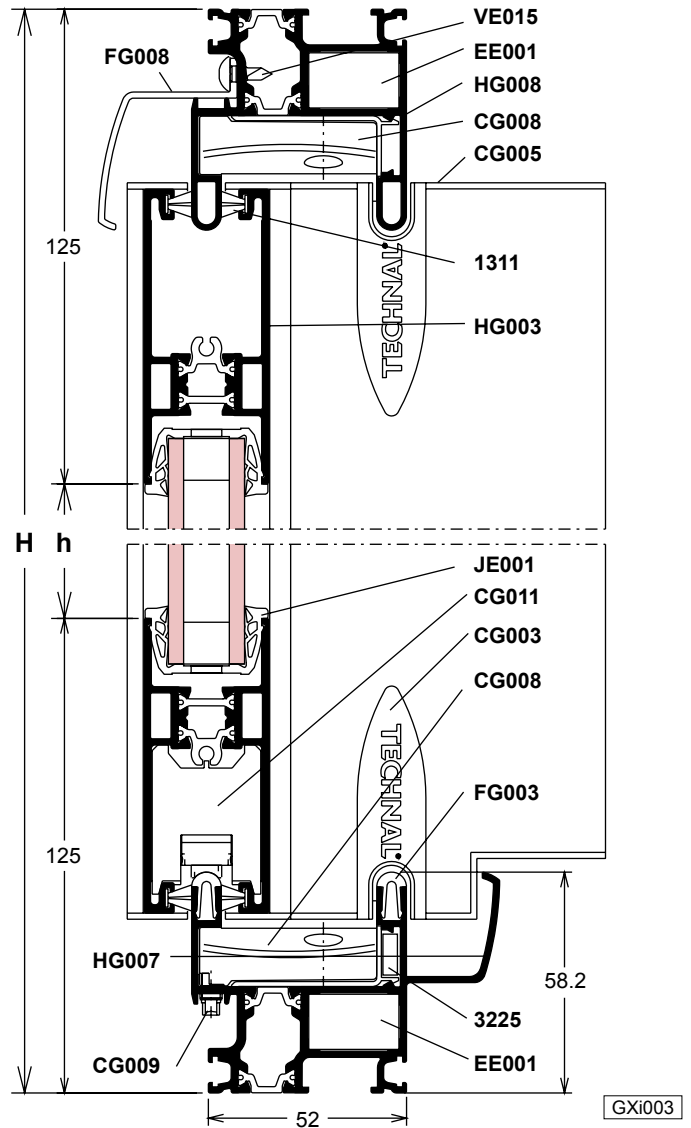
Ref.	Window	Patio-door	Description
1838	16	16	Stainless screw
3225	4	4	Weathering plug
CG001	4	4	Lateral plug
CG002	4	4	Central plugs
CG003	8	8	Central guide
CG007	1	1	Drain pipe plug set
CG008	3	3	Weathering plug
CG009	4	4	Catch center punch
CG010	8		Roller
CG011		8	Double roller
CG012	1	1	Catch
CG013	3	3	Catch center punch
CG020	4	6	Baffle fitting
CG028	4	4	Corner cleat
EE001	4	4	Corner cleat 15 x 24
KG001	3	3	Lock

**OPTIONS**

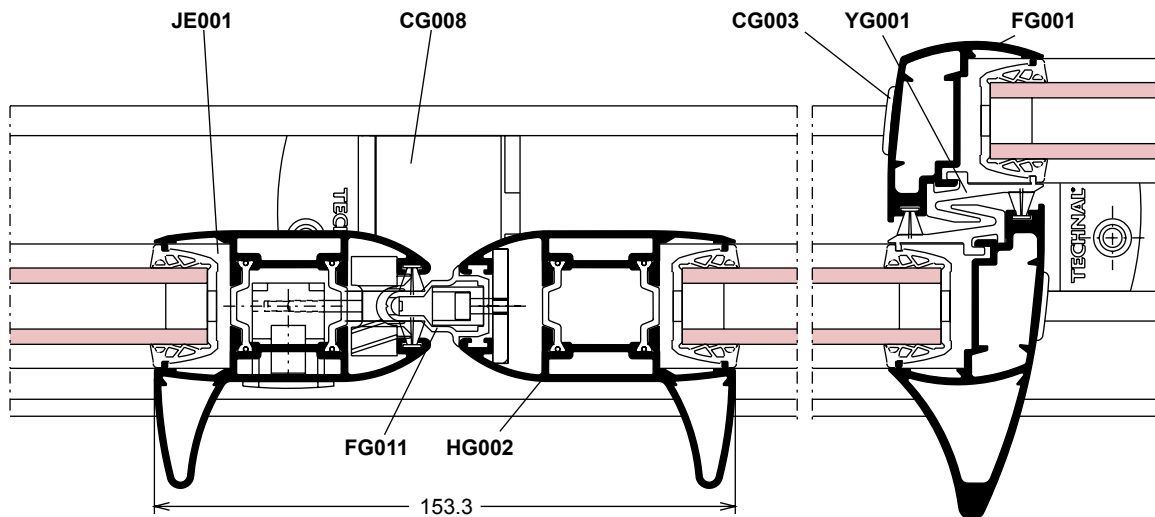
CG005 Cover, CG006 Cover, CG017 Handle

**Glass dimensions**

H - 227	W/4 - 92
h + 23	W + 27



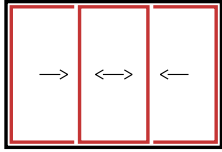
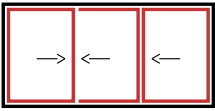
GXi003



GXi047

Applications

**3-leaf. 3-rail window and patio door**



Description for 20mm glass

PROFILE DIMENSIONS

Ref.	Profile	Section	Dimensions	Window	Patio-door
FG001			H - 95	4	2
FG002			H - 95		2
FG003			W - 108.5	3	3
HG001			H - 95	2	2
HG003			W/3 - 67.5	6	6
HG024			W	1	1
HG025			H W	2 1	2 1
YG001			H - 95	4	4
YG002			H - 56.6	2	2
			H - 55.2	2	2
			W - 55.2	2	2
			W - 56.6	2	2

GASKETS

Ref.	Window	Patio-door	Description
1311	8H + 4W	8H + 4W	Weatherpile gasket
JE001	2W + 6H	2W + 6H	Glazing gasket 20mm

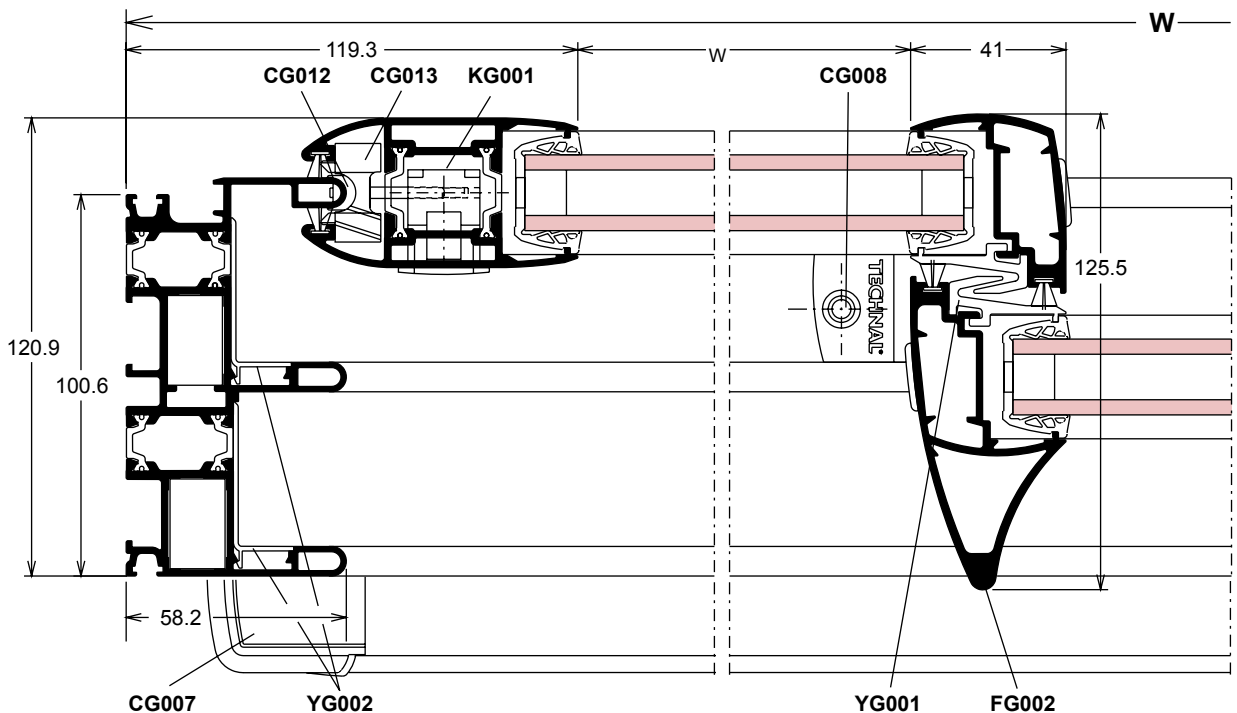
**Glass dimensions**

H - 227	W/4 - 80
h + 23	W + 27

OPTIONS

HG002 Reinforced lateral upright

Horizontal section 1/2 scale



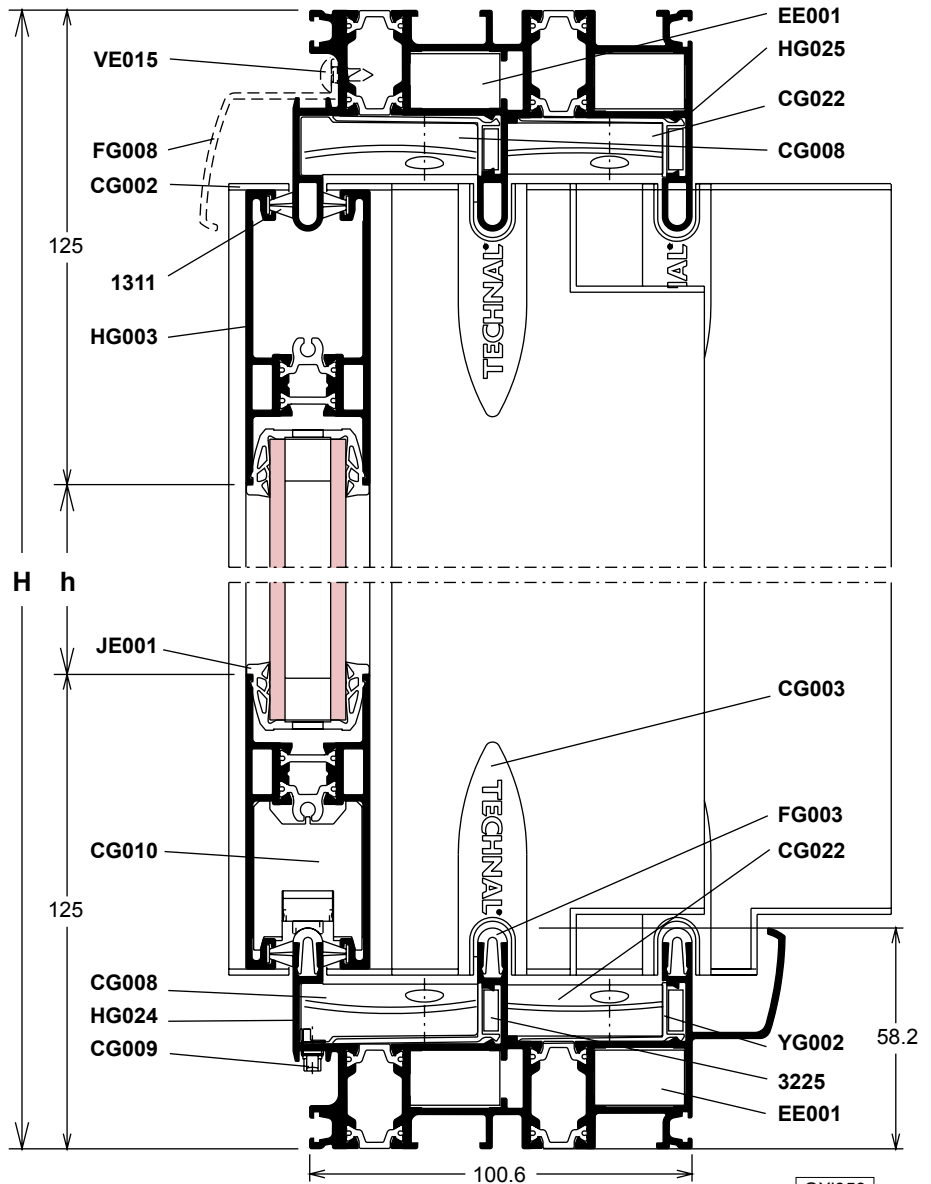
Vertical section 1/2 scale

**ACCESSORIES**

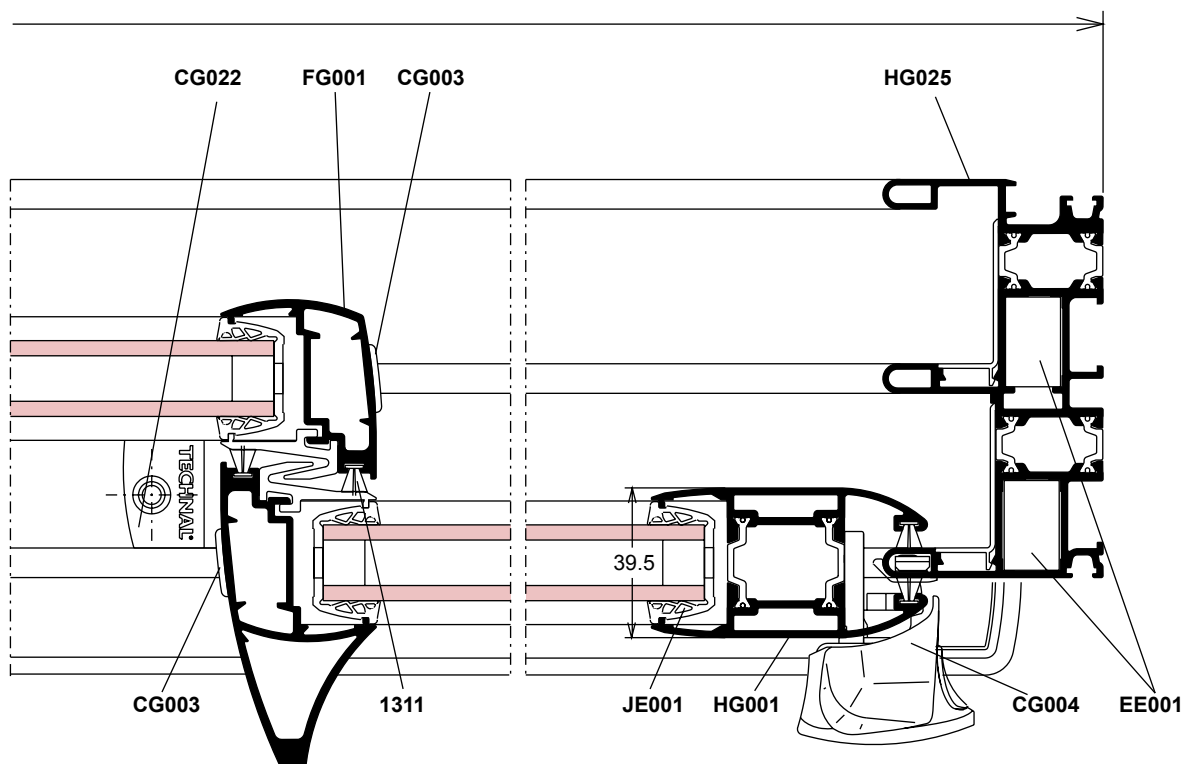
Ref.	Window	Patio-door	Description
1838	12	12	Stainless screw
3225	4	4	Weathering plug
CG001	2	2	Lateral plug
CG002	4	4	Central plugs
CG003	8	8	Central guide
CG004	1	1	Half-moon semi-auto lock
CG007	1	1	Drain pipe plug set
CG008	1	1	Weathering plug
CG009	2	2	Catch center punch
CG010	6		Roller
CG011		6	Double roller
CG012	1	1	Catch
CG013	1	1	Catch center punch
CG022	1	1	Weathering plug
CG028	4	4	Corner cleat
EE001	8	8	Corner cleat 15 x 24
KG001	1	1	Lock

**OPTIONS**

CG005 Cover, CG006 Cover



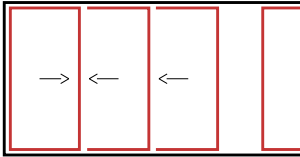
GXI053



GXI050

Applications

**6-leaf. 3-rail window and patio door**



Description for 20mm glass

PROFILE DIMENSIONS

Ref.	Profile	Section	Dimensions	Window	Patio-door
FG001			H - 95	8	4
FG002			H - 95		4
FG003			W - 108.5	3	3
FG011			H - 95	1	1
HG001			H - 95	4	2
HG002			H - 95		2
HG003			W/6 - 53.5	12	12
HG024			W	1	1
HG025			H W	2 1	2 1
YG001			H - 95	8	8
YG002			H - 56.6	2	2
			H - 55.2	2	2
			W - 55.2	2	2
			W - 56.6	2	2

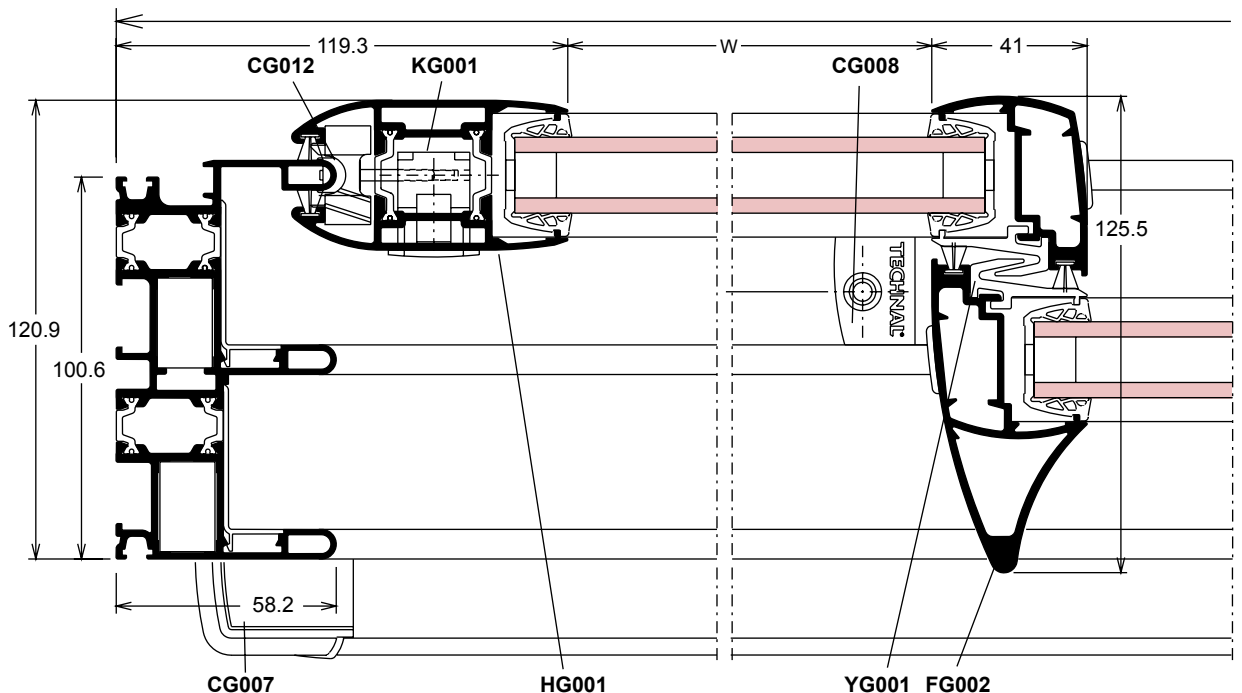
GASKETS

Ref.	Window	Patio-door	Description
1311	14H + 4W	14H + 4W	Weatherpile gasket
JE001	2W + 12H	2W + 12H	Glazing gasket 20mm

**Glass dimensions**

H - 227	W/6 - 66.5
h + 23	W + 27

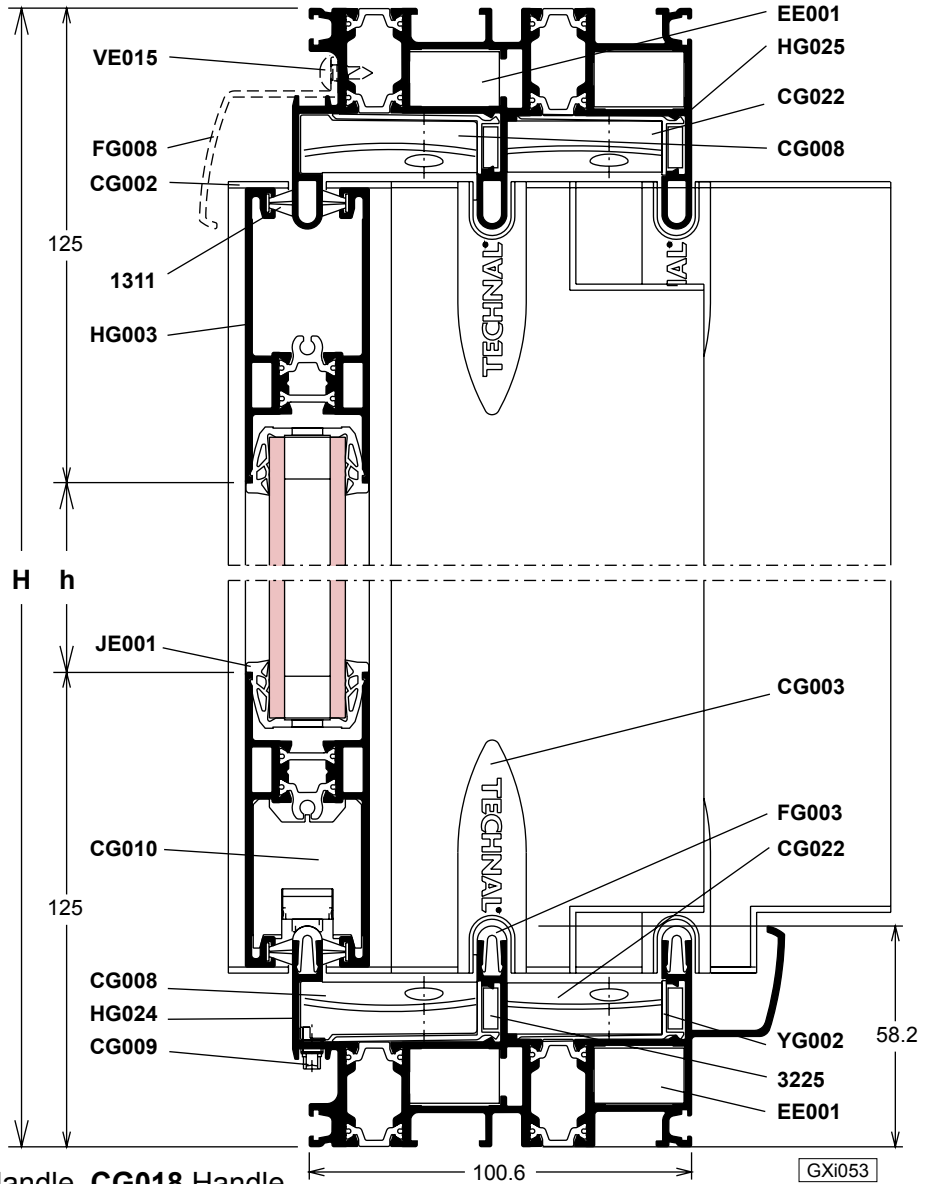
Horizontal section 1/2 scale



Vertical section 1/2 scale

**ACCESSORIES**

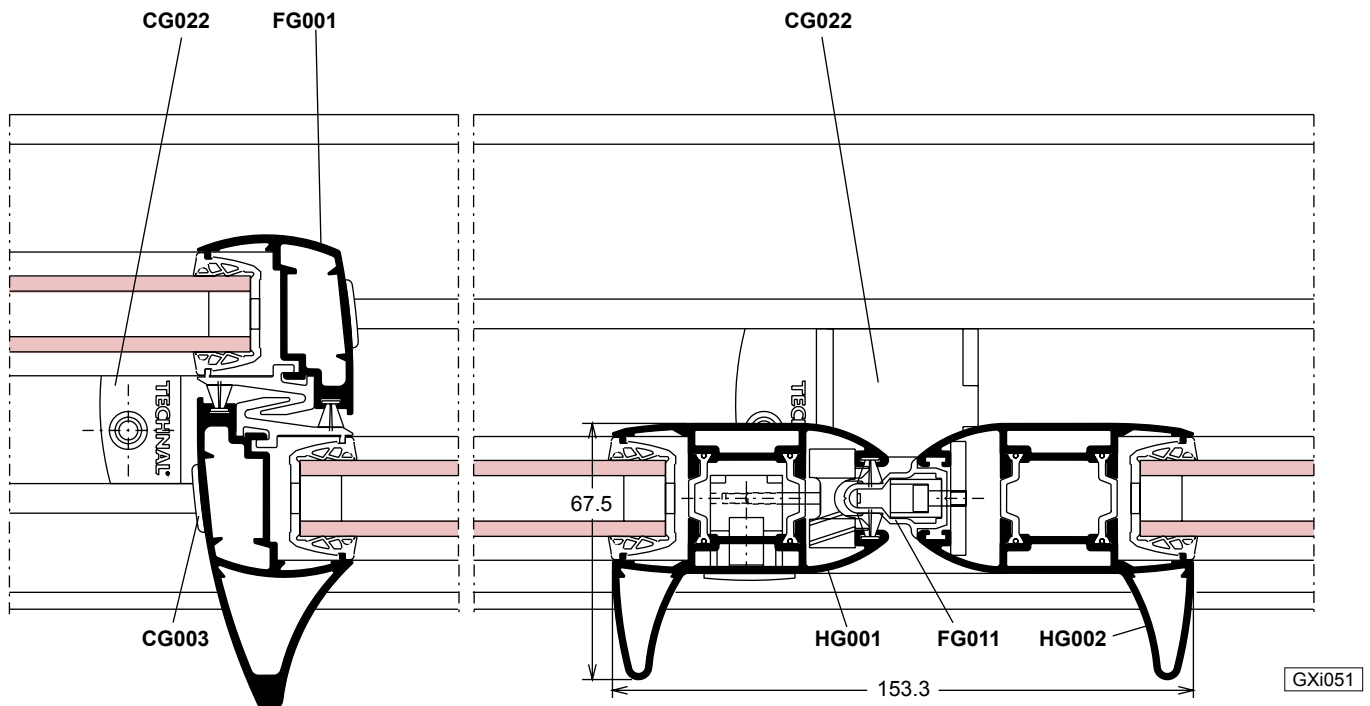
Ref.	Window	Patio-door	Description
1838	24	24	Stainless screw
3225	8	8	Weathering plug
CG001	4	4	Lateral plug
CG002	8	8	Central plugs
CG003	16	16	Central guide
CG007	1	1	Drain pipe plug set
CG008	2	2	Weathering plug
CG009	4	4	Catch center punch
CG010	12		Roller
CG011		12	Double roller
CG012	3	3	Catch
CG013	3	3	Catch center punch
CG020	4	6	Baffle fitting
CG022	3	3	Weathering plug
CG028	4	4	Corner cleat
EE001	8	8	Corner cleat 15 x 24
KG001	3	3	Lock



**OPTIONS**

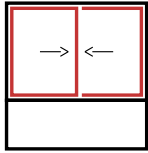
CG005 Cover, CG006 Cover, CG017 Handle, CG018 Handle

W



Applications

**2-leaf slider on bottom fixed light**



Description for 20mm glass (slider only)

TECHNAL®

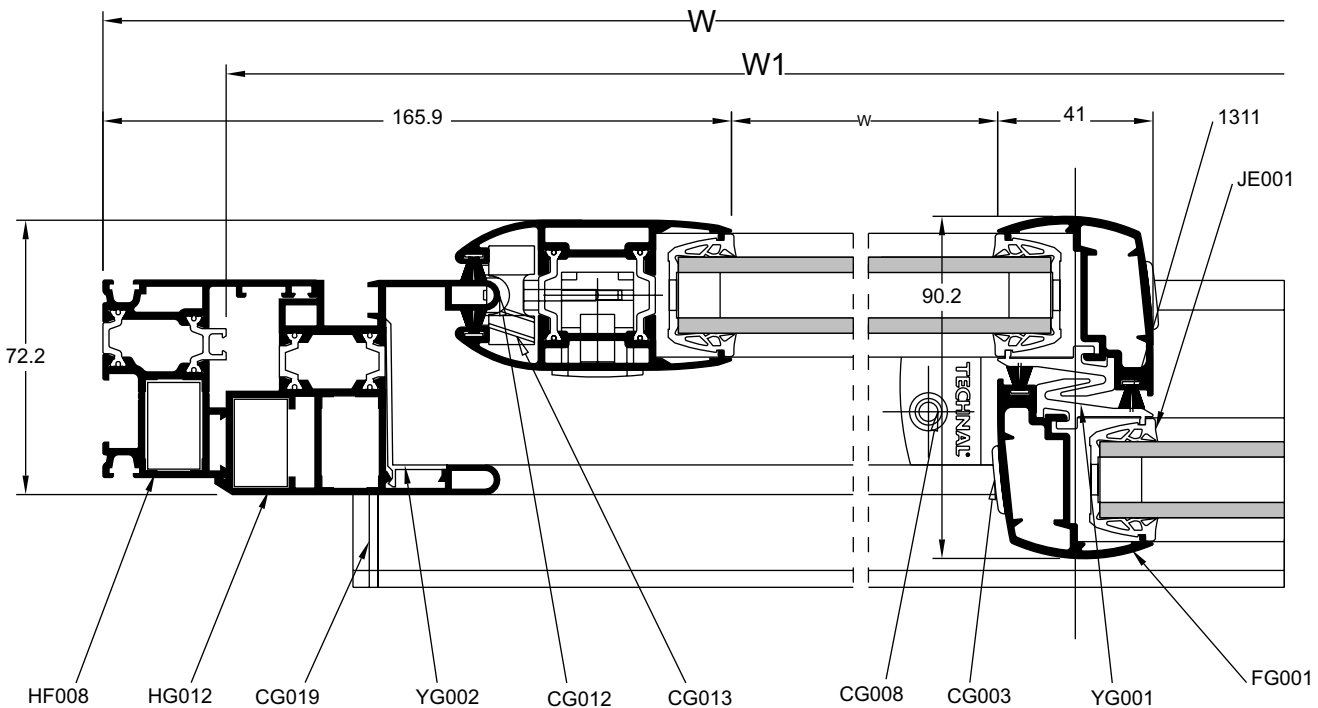
PROFILE DIMENSIONS

Ref.	Profile	Section	Qty	Dimensions
FG001			2	H1 - 123
FG008			1	W1 - 30
FG009			1	W1 - 40
FG010			1	W1 - 40
HG001			2	H1 - 123
HG003			4	W1/2 - 114
HG012			2 2	W1 + 6 H1 + 6
YG001			2	H1 - 123
YG002			2 2	W1 - 84 H1 - 84

GASKETS

Ref.	Qty	Description
1311	6H1 + 4W1	Weatherpile gasket
JE001	2W1 + 4H1	Glazing gasket 20mm

Horizontal section 1/2 scale



GX069



Vertical section 1/2 scale

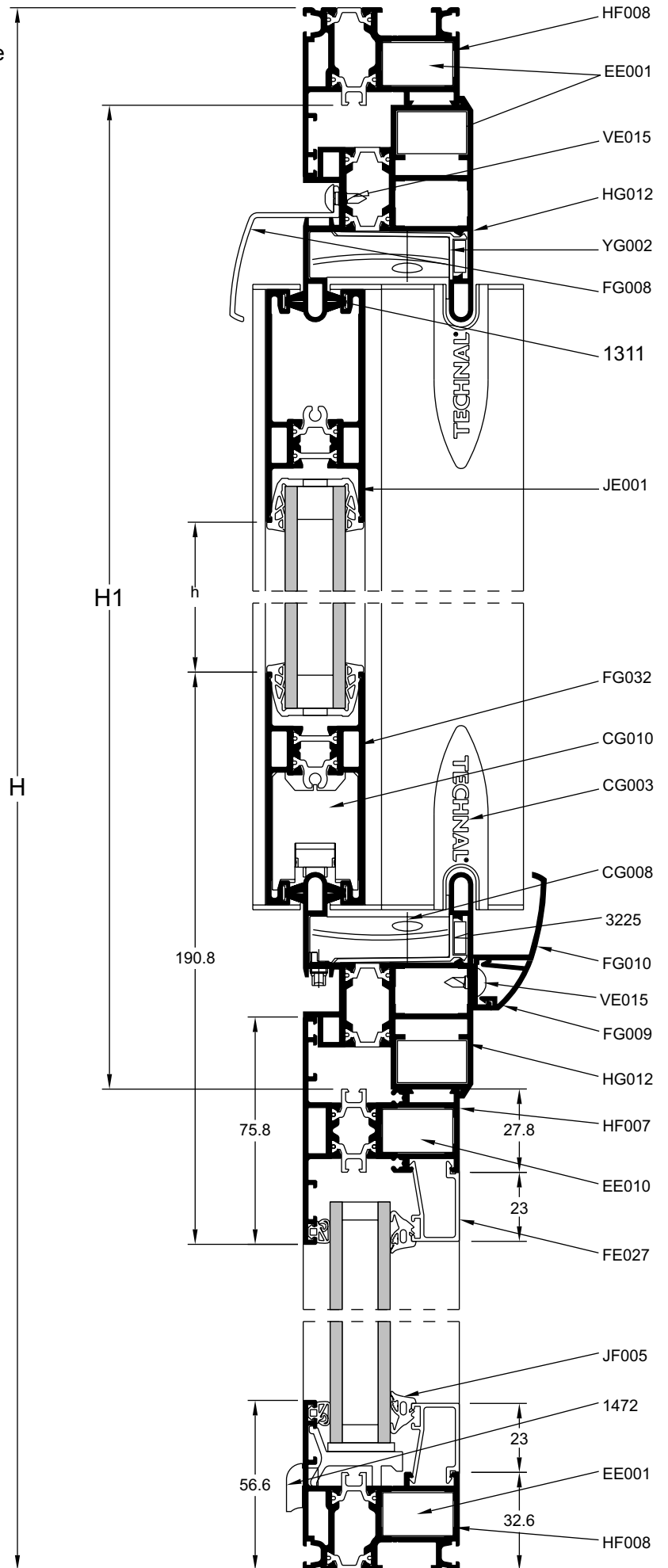
**ACCESSORIES**

Ref.	Qty	Description
1838	8	Stainless screw
3225	3	Weathering plug
CG001	2	Lateral plug
CG002	2	Central plugs
CG003	4	Central guide
CG004	1	Half-moon semi-auto lock
CG007	1	Drain pipe plug set
CG008	1	Weathering plug
CG009	2	Catch center punch
CG010	4	Roller
CG012	1	Catch
CG013	1	Catch center punch
CG028	4	Corner cleat
EE001	4	Corner cleat 15 x 24
KG001	1	Lock
VE015	3/m	Self drilling screw

**Glass**

**dimensions**

H1 - 255 | W1/2 - 127  
h + 23 | W + 27



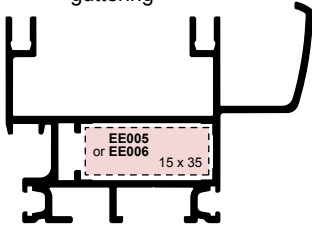
GX070

Options

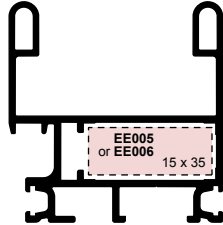
**2-rail outer frame alternatives**

■ Outer frame with grooves for sill

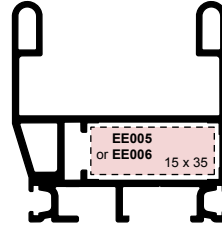
**FG013**  
Open rail - sill grooves - guttering



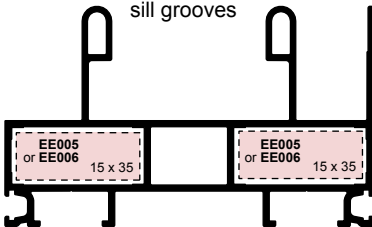
**FG014**  
Sill grooves



**FG023**  
Styled outer frame - sill grooves

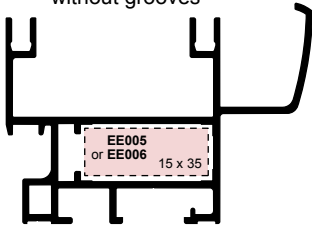


**FG043**  
2 rail outer frame for fully-retractable door sill grooves

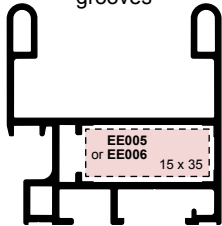


■ Outer frame without grooves for sill

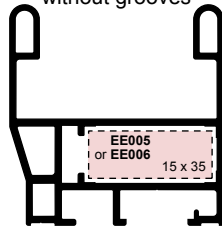
**FG016**  
Open outer frame without grooves



**FG017**  
Outer frame without grooves

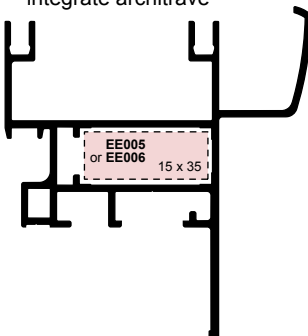


**FG022**  
Styled outer frame without grooves

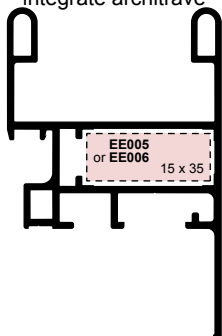


■ Outer frame with integrate architrave

**FG024**  
Open outer frame with integrate architrave



**FG025**  
Outer frame with integrate architrave

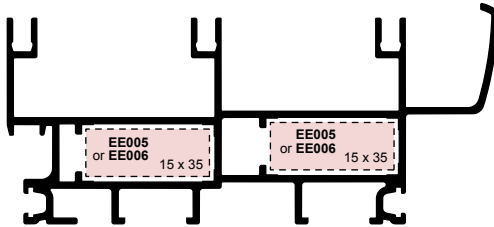


## Options

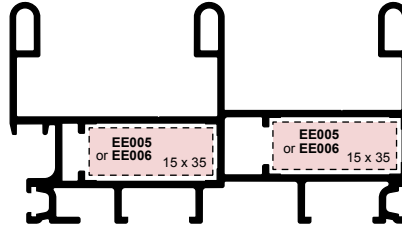
### 3-rail outer frame alternatives

#### ■ Outer frames with grooves for sill

FG035 = 6.50 lm  
 FG038 = 4.70 lm  
 3 open rails - sill grooves

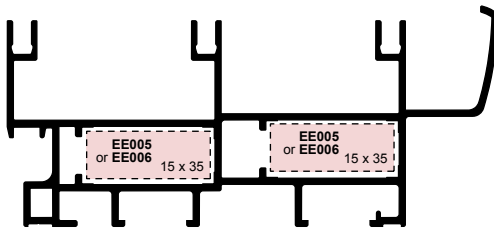


FG036  
 3 rails outer frame sill grooves

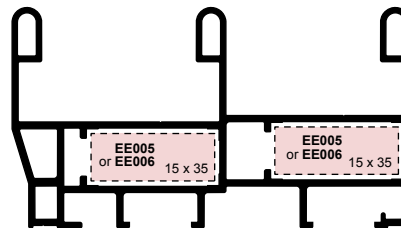


#### ■ Outer frames without groove or sill

FG033 = 6.50 lm  
 3 rails open outer frame without groove



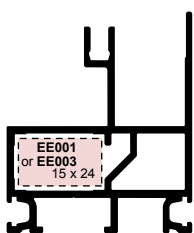
FG034  
 3 rails outer frame without groove



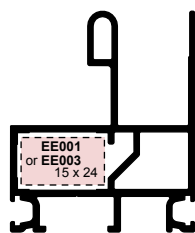
### Single-rail outer frame alternatives (fully-retractable doors)

#### ■ Outer frames with grooves for sill

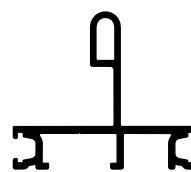
FG039  
 Open tubular single rail



FG040  
 Tubular single rail



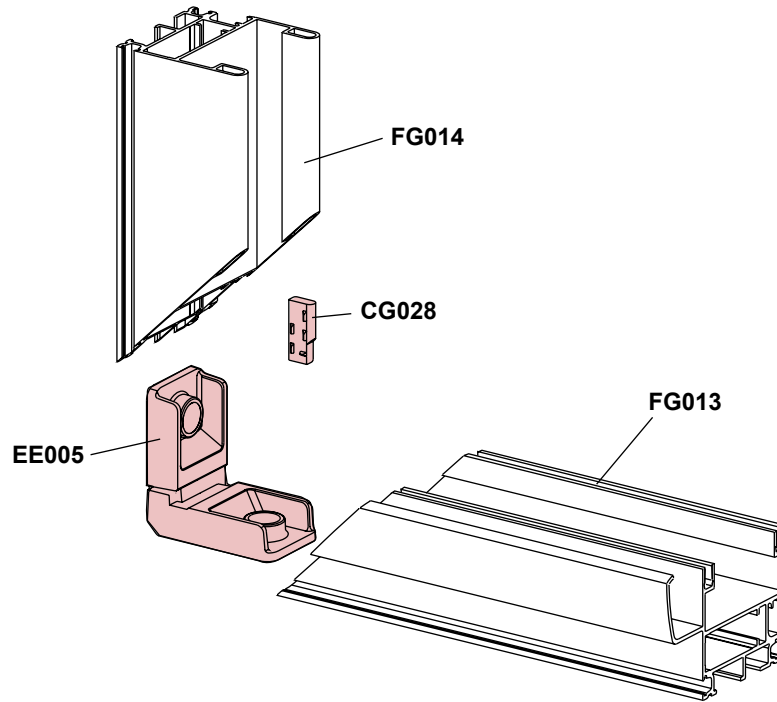
FG041  
 Basic single rail outer frame



Options

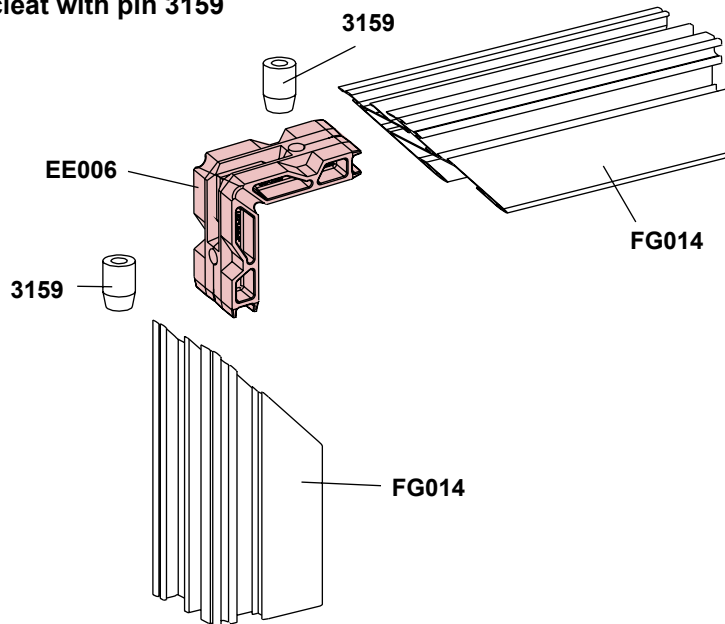
Crimp or pin corner cleat

■ Pin corner cleat



GX012

■ Crimp or pin corner cleat with pin 3159



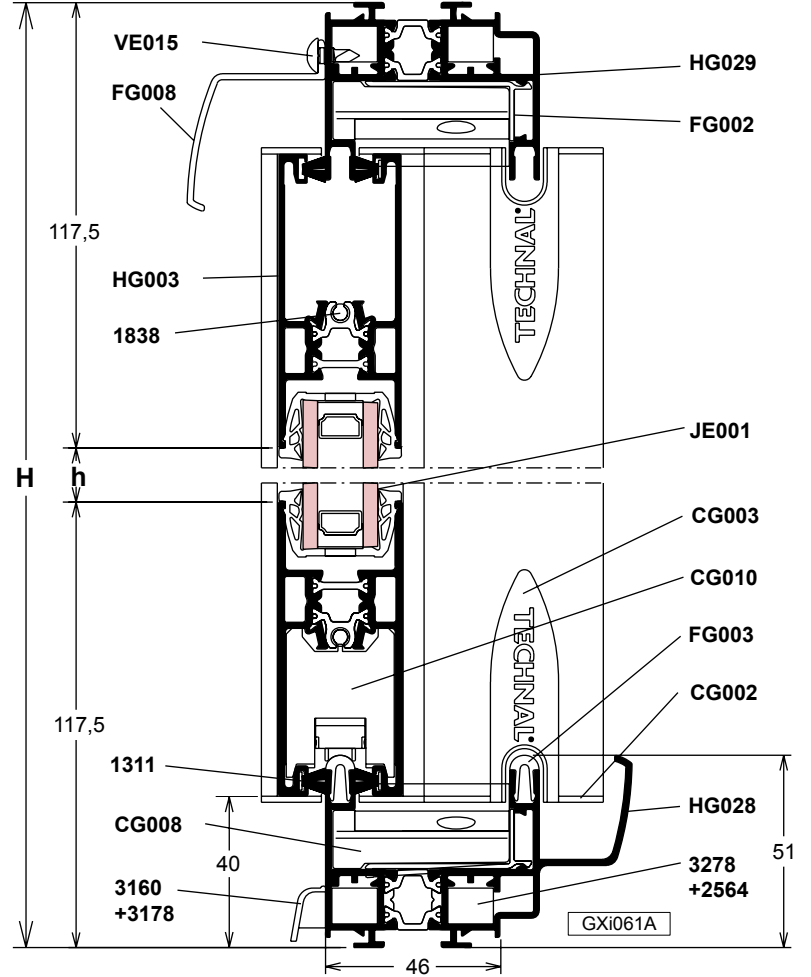
GX002

# Options

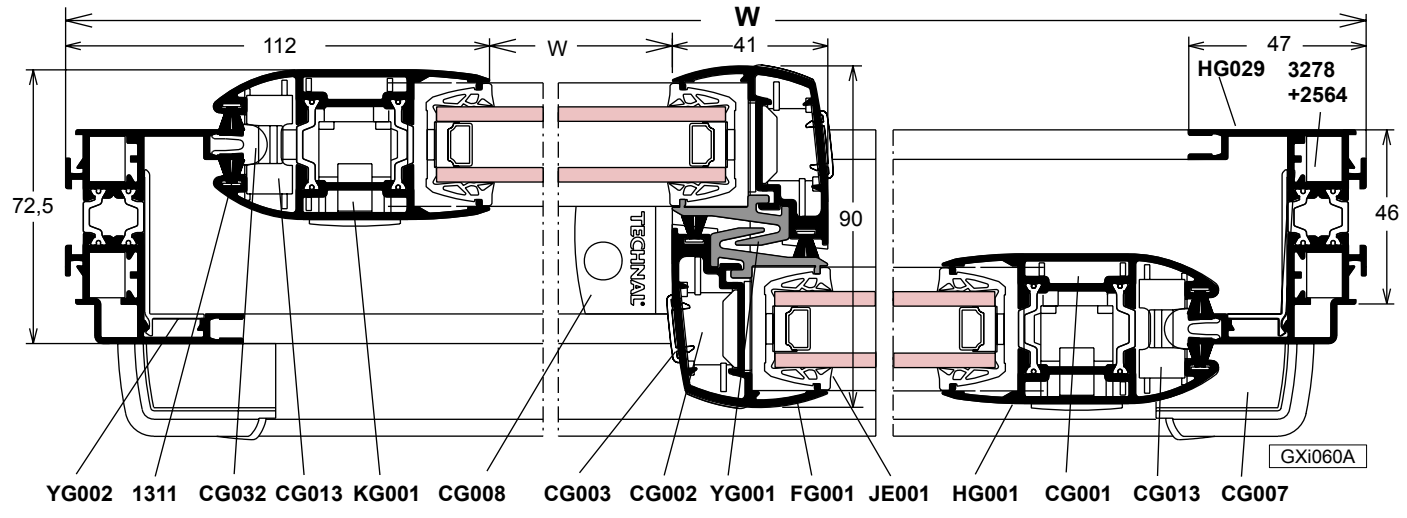
## 46mm 2 rail alternative

See fabrication plan GX/GXi n° 6

Vertical section 1/2 scale



Horizontal section 1/2 scale



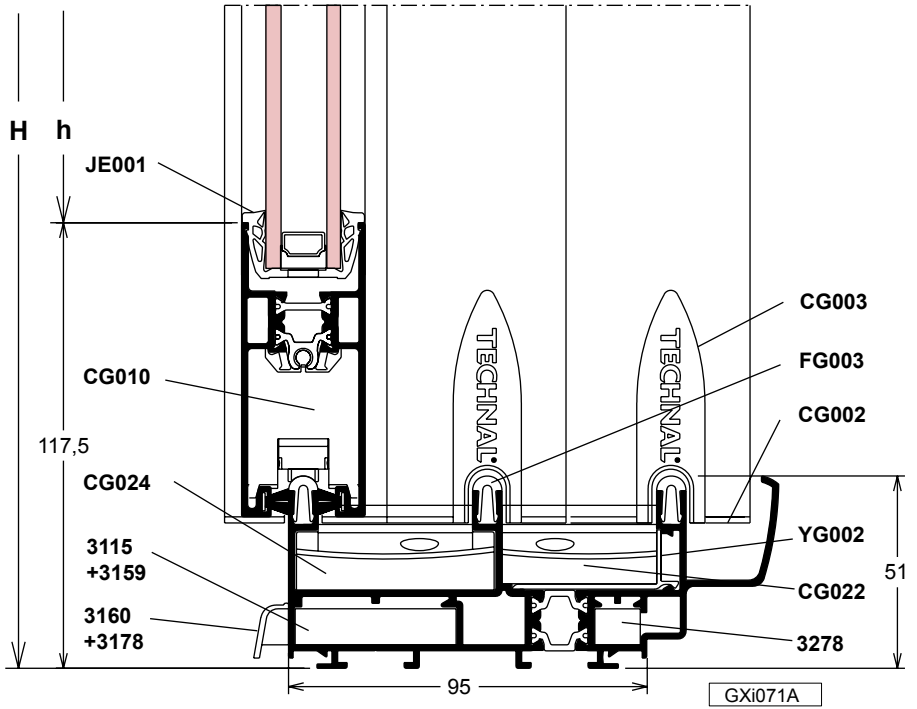
TECHNAL

Options

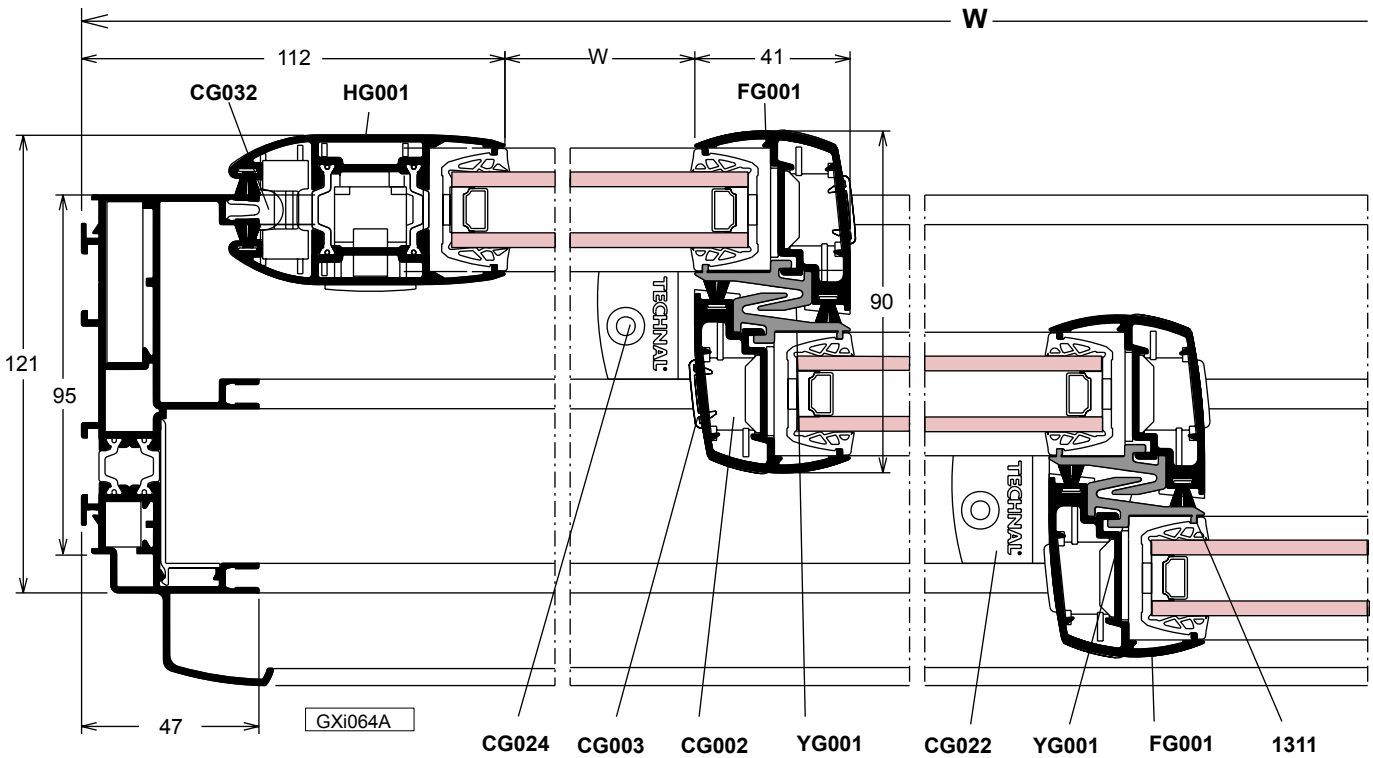
**95mm 3 rail alternative**

See fabrication plan  
GX/GXi n° 6

Vertical section 1/2 scale



Horizontal section 1/2 scale

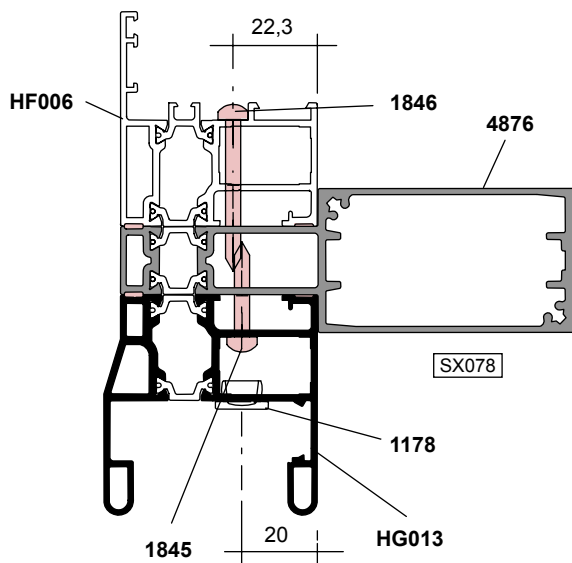


## Options

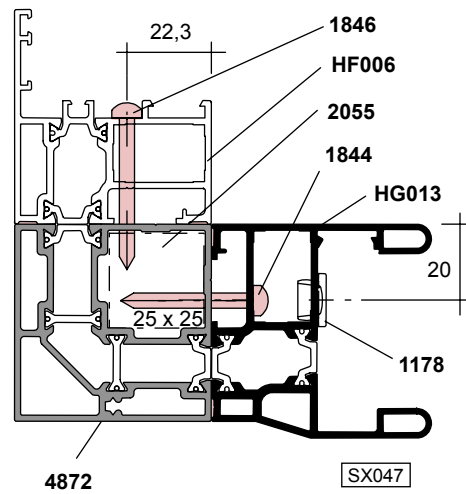
# Integration with SX conservatory

### ■ 2-rail slider

Vertical section 1/2 scale

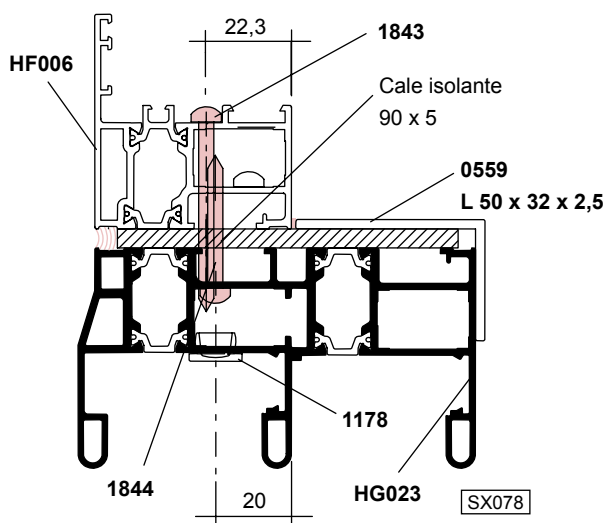


Horizontal section 1/2 scale

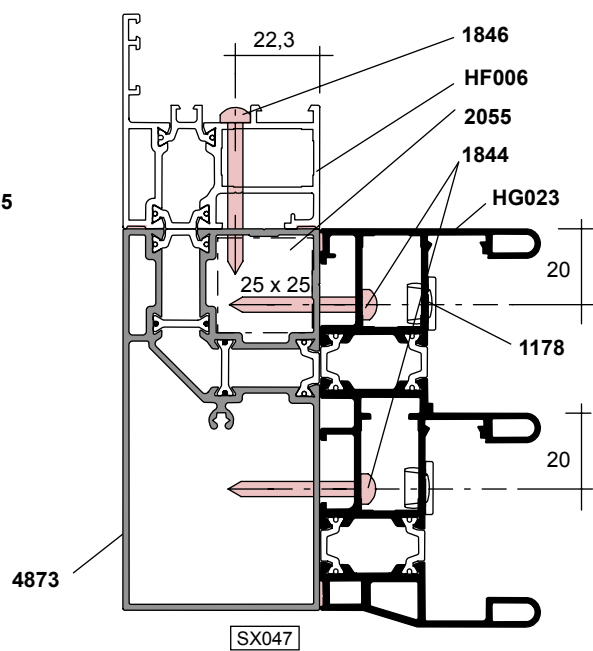


### ■ 3-rail slider

Vertical section 1/2 scale



Horizontal section 1/2 scale

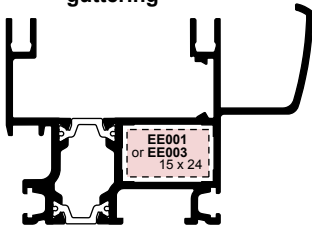


Options

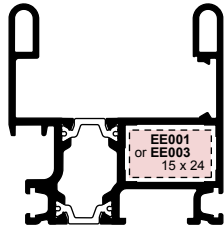
**2-rail outer frame alternatives**

■ Outer frames with grooves for sill

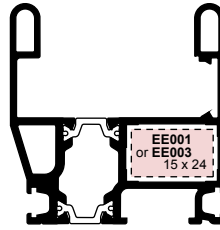
**HG007**  
Open rail - sill grooves - guttering



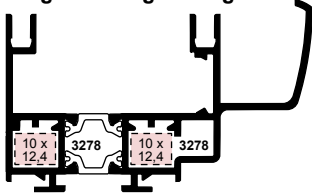
**HG008**  
Sill grooves



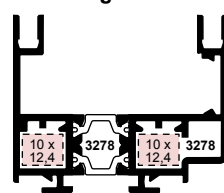
**HG014**  
Styled outer frame - Sill grooves



**HG028**  
2 open rails  
Sill grooves - guttering

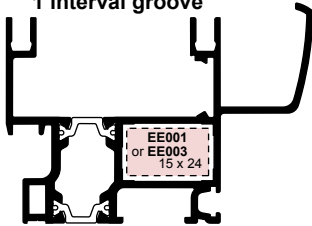


**HG029**  
2 open rails  
Sill grooves

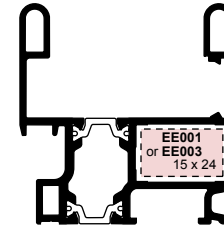


■ Outer frames with internal groove for flashing

**HG019**  
Open rail  
1 interval groove

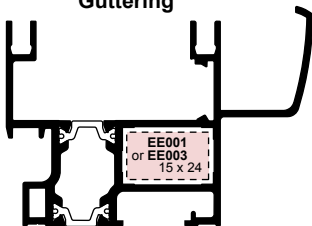


**HG020**  
1 interval groove

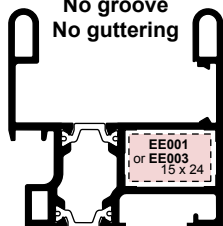


■ Outer frames without groove for sill

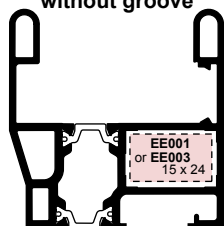
**HG005**  
Open GXi outer frame  
Guttering



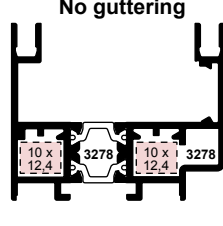
**HG006**  
GXi outer frame  
No groove  
No guttering



**HG013**  
Styled outer frame  
without groove



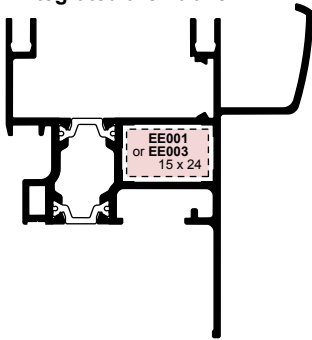
**HG030**  
2 open rails  
No guttering



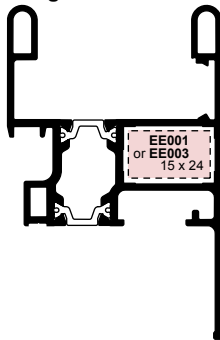


■ Outer frames with integrated architrave

HG016  
2 open rails outer frame with  
integrated architrave

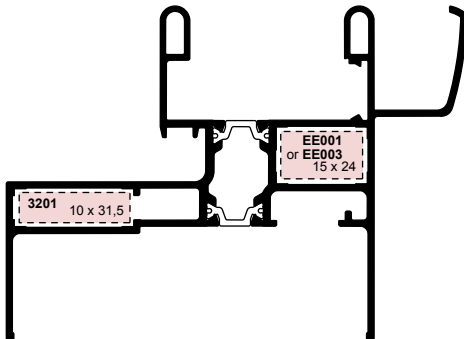


HG017  
outer frame with  
integrated architrave



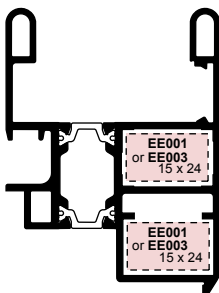
■ Peripheral outer frame with 100mm sub-frame

HG015



■ Outer frames for composition GXi-FXi

HG012



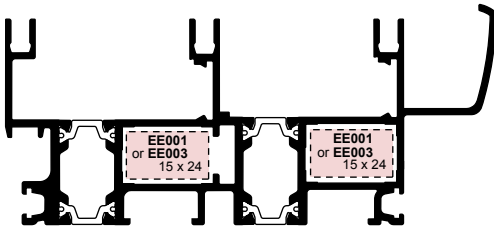
Options

**3-rail outer frame alternatives**

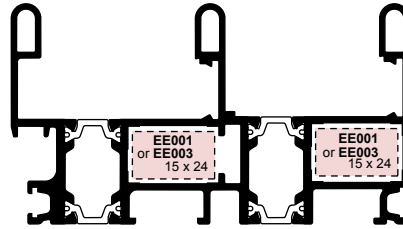
■ Outer frames with grooves for sill

HG024 3 open rails - sill grooves 6.5 lm  
 HG026 3 open rails - sill grooves 4.7 lm

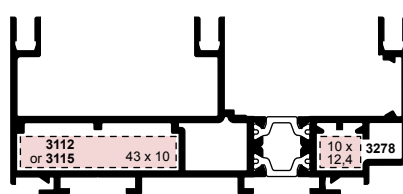
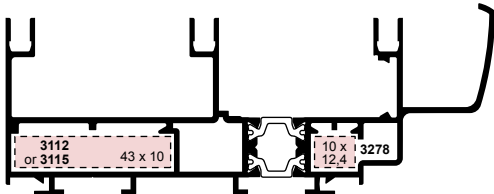
HG025  
 3 rail outer frame - sill grooves



HG031  
 3 open rail profile with guttering



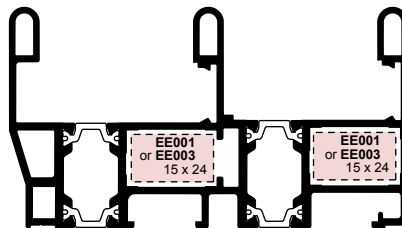
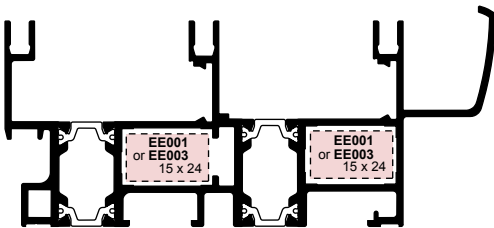
HG075  
 3 open rail profile



■ Outer frames without groove for sill

HG022 3 open rails, guttering, without groove 6.5 lm  
 HG027 3 open rails, guttering, without groove 4.7 lm

HG023  
 3 rails outer frame without groove

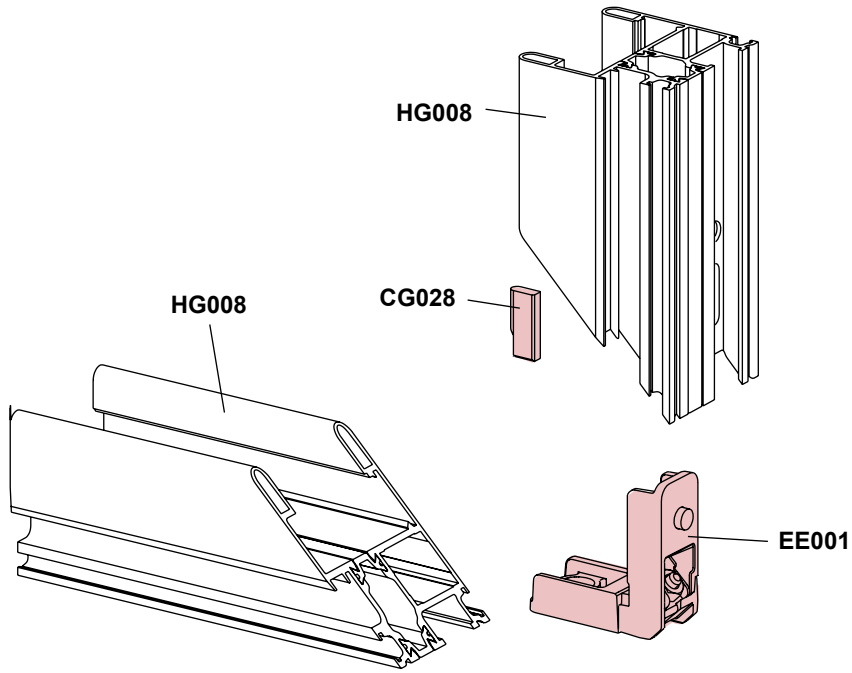




Options

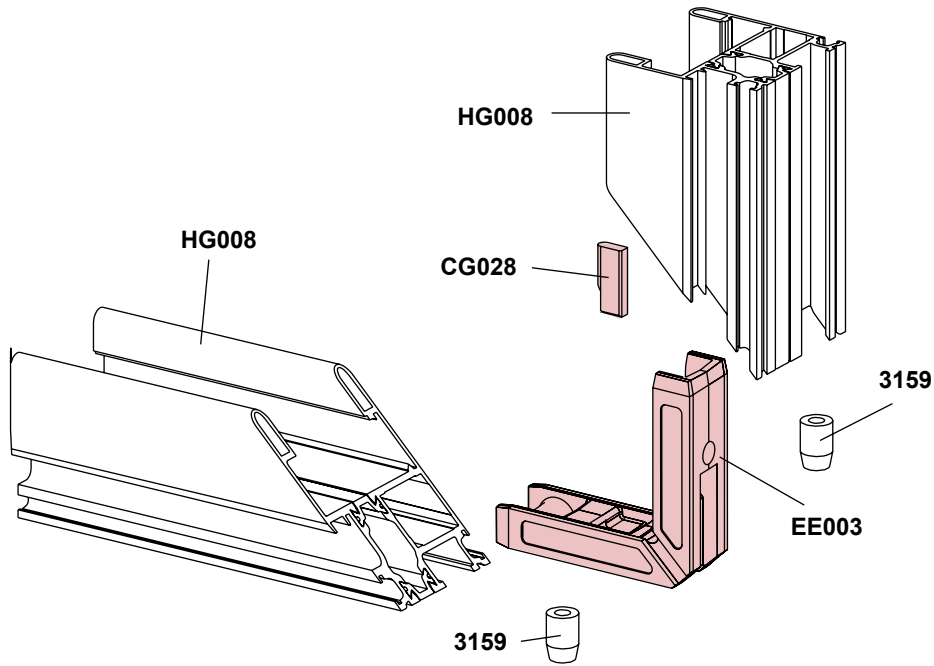
Crimp/pin corner cleat

- Pin corner cleat



GXi016

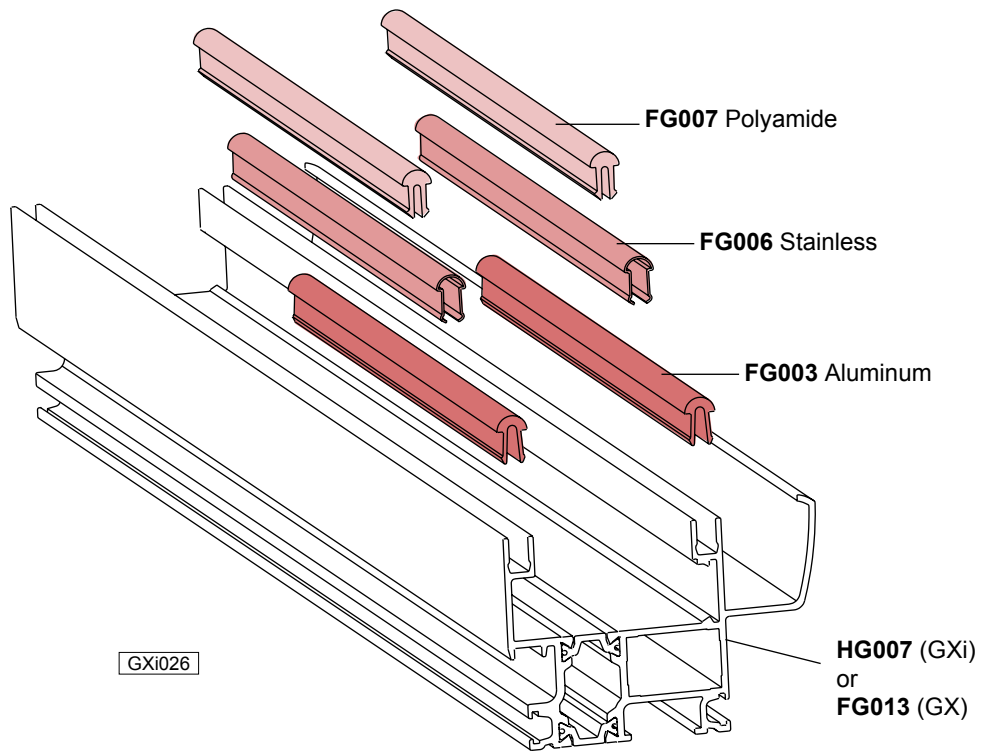
- Crimp/pin corner cleat with pin 3159



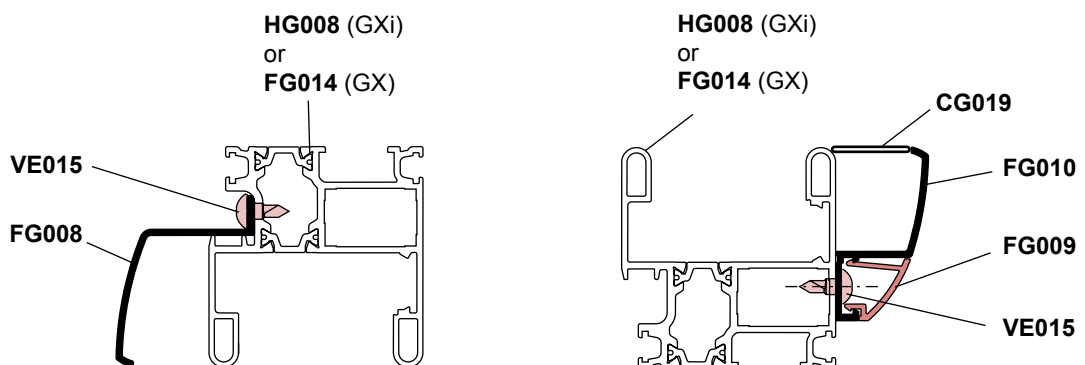
GXi022

## Options

### Additional rail

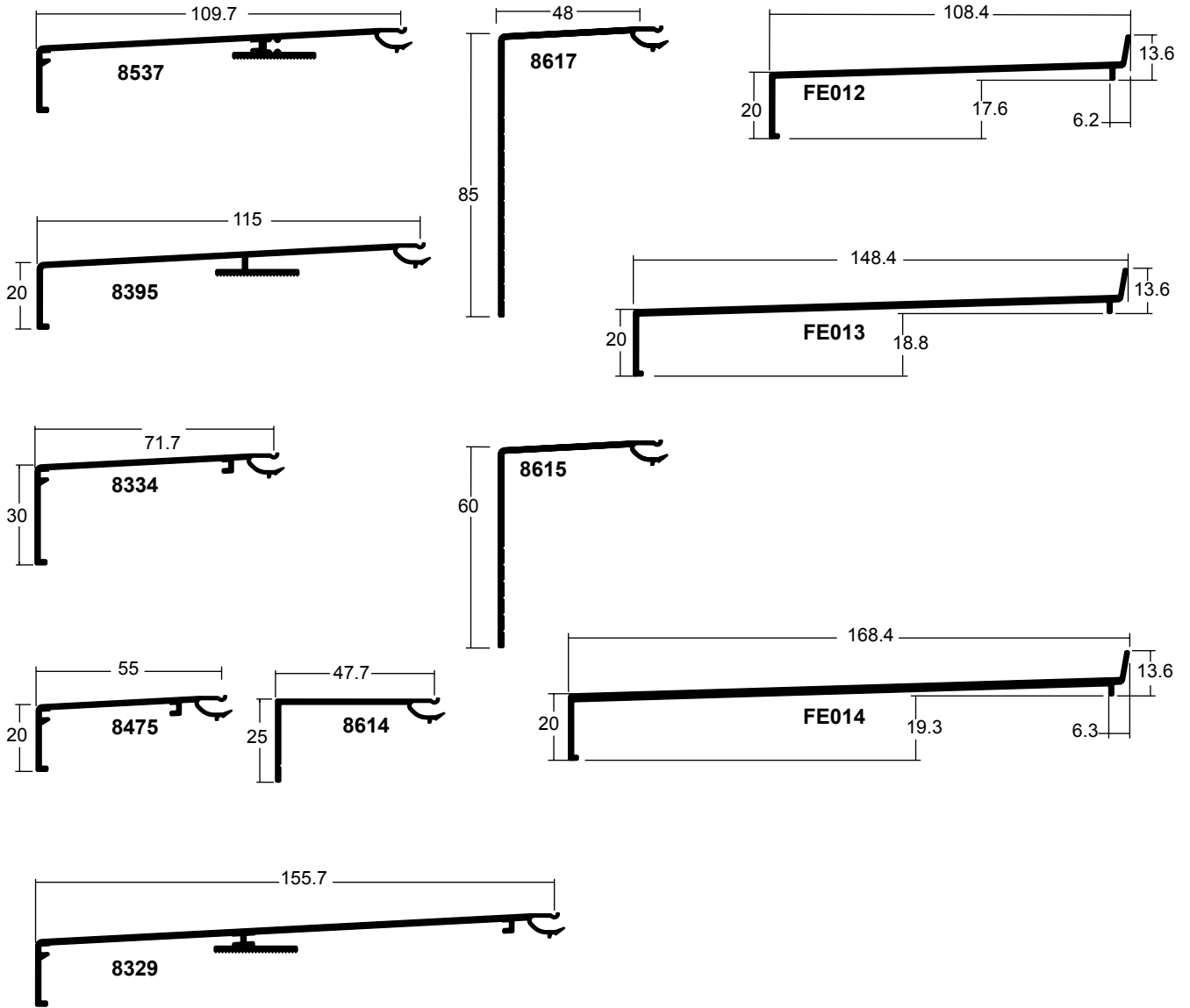


### Drip mould and additional gutter



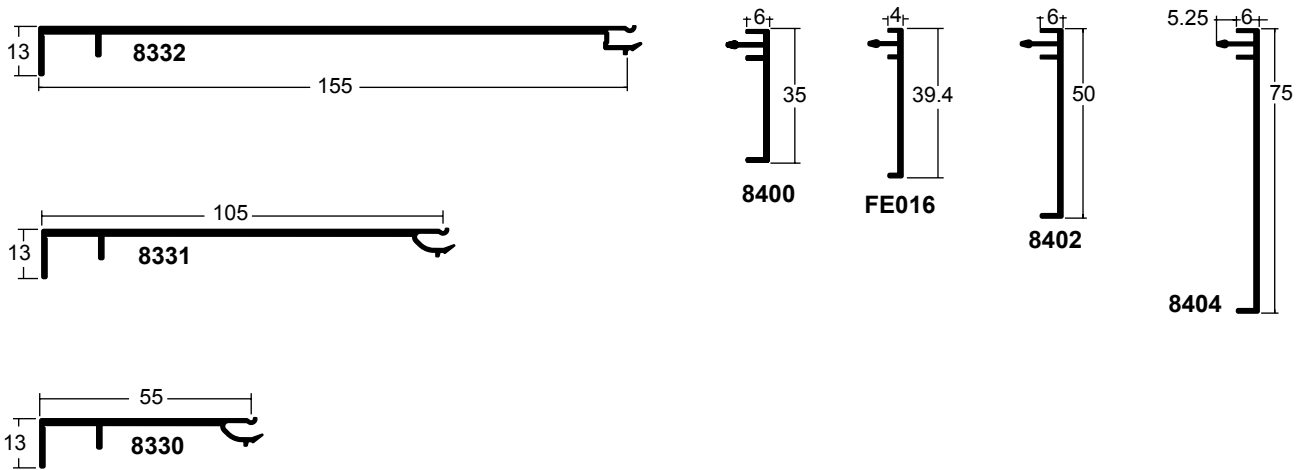
Options

Sills

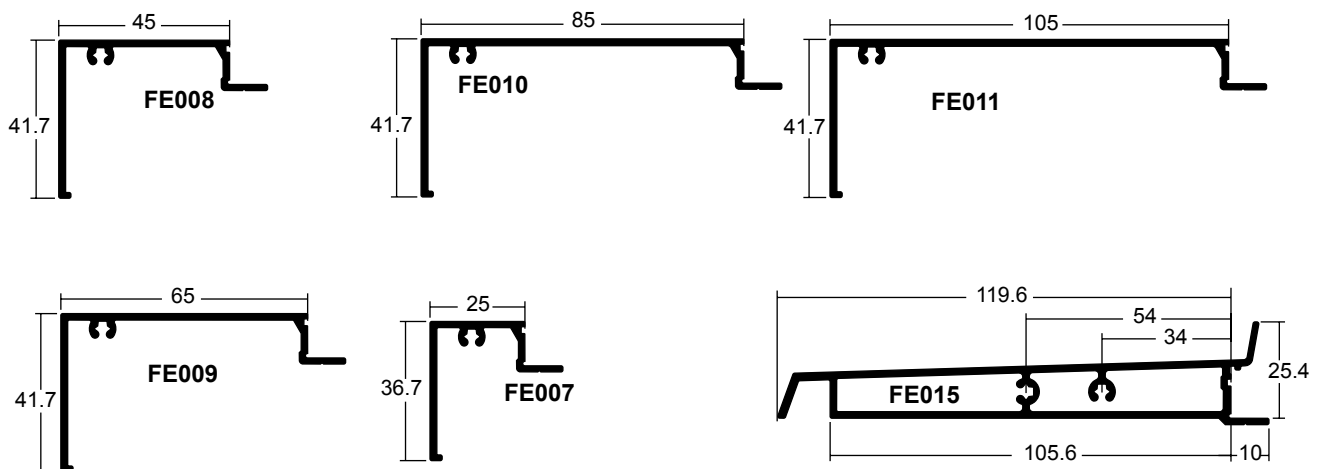


## Options

# Cladding flashing and architraves



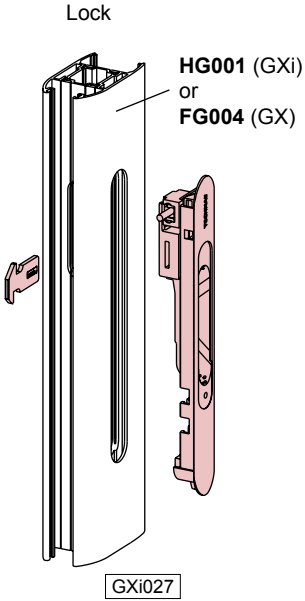
## Sub-frame and sill



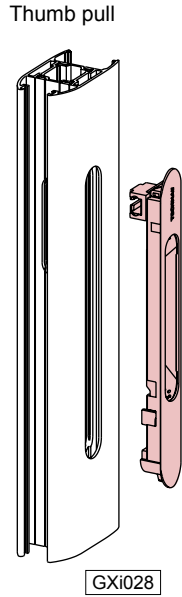
Options

**Closing mechanism selection**

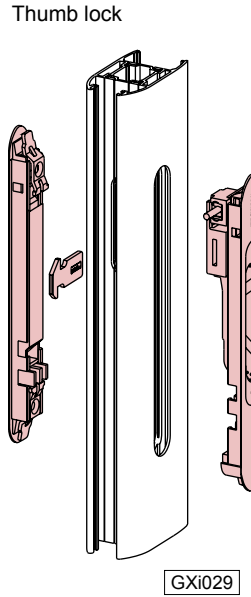
■ **KG001**



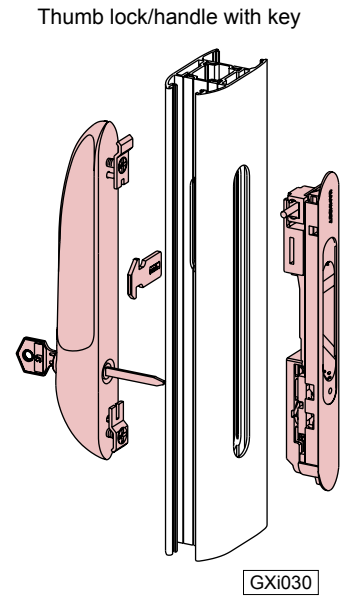
■ **KG002**



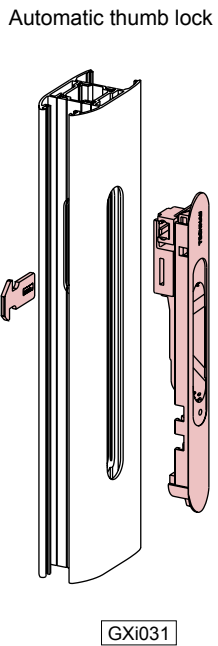
■ **KG003**



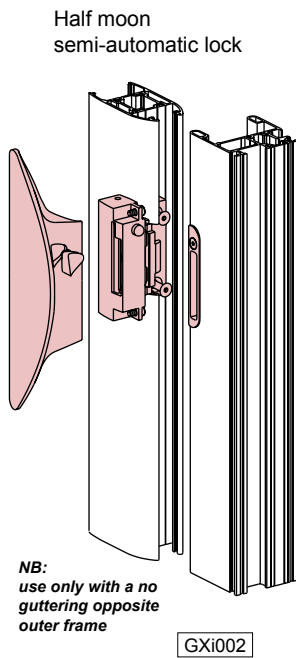
■ **KG004 or KG006**



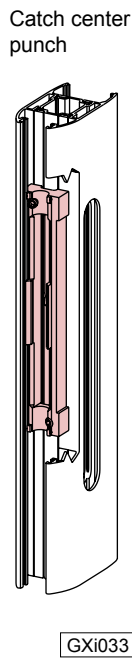
■ **KG007**



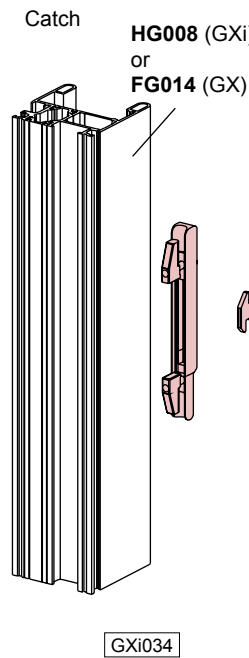
■ **CG004**



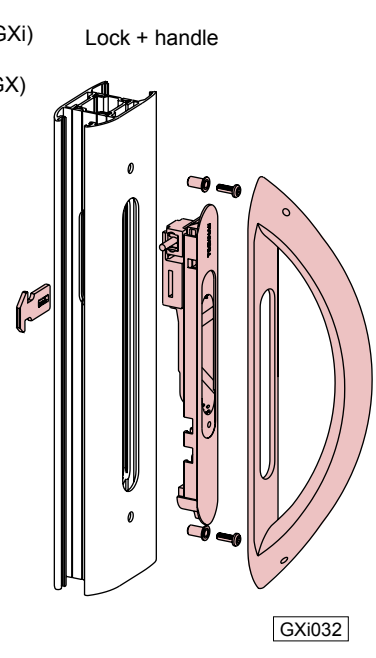
■ **CG013**



■ **CG012**



■ **KG001 + CG017**





## Options

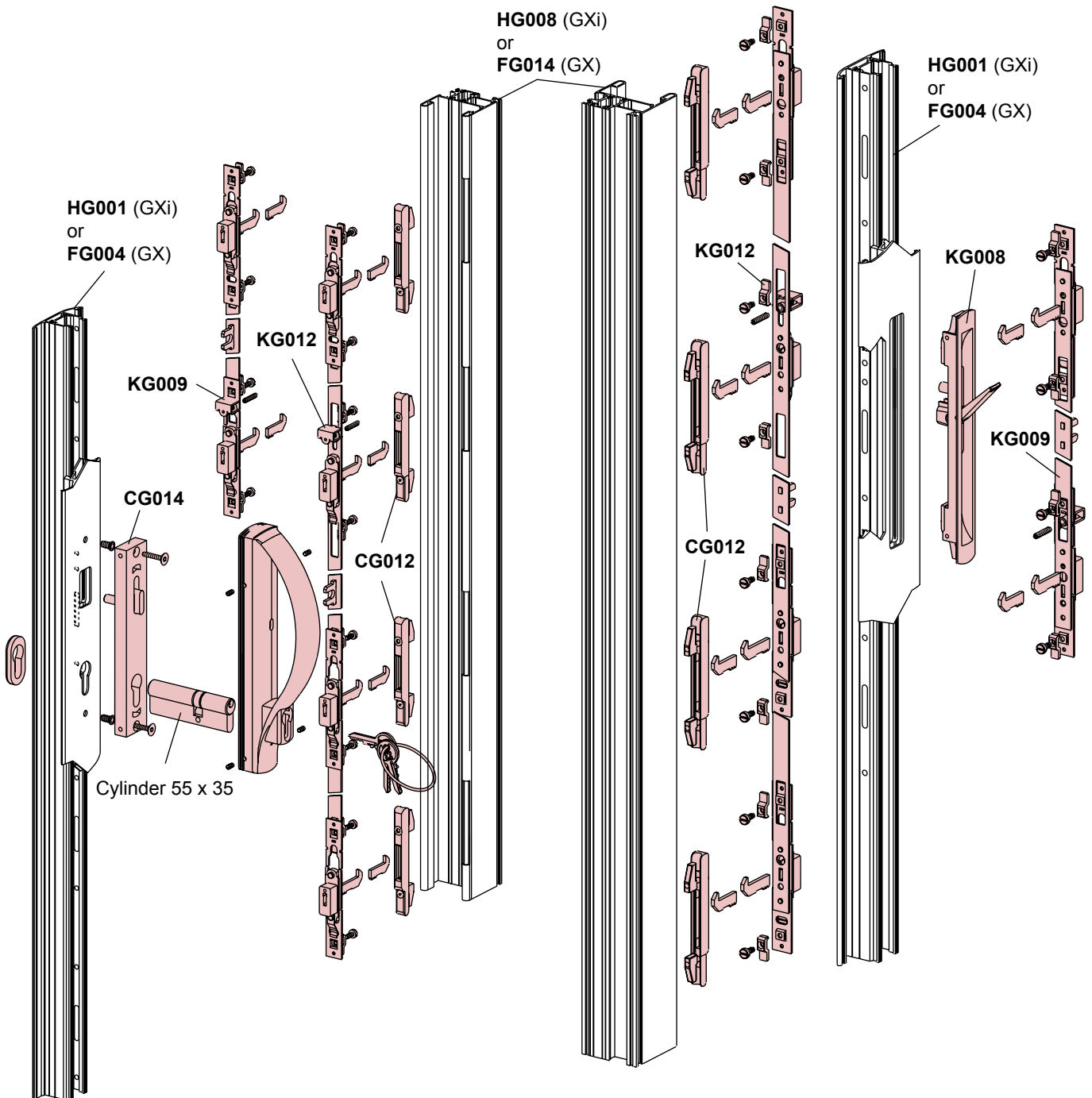
# 2 or 4 point closing mechanism selection

### ■ CG014 + KG009 or KG012

Multipoint handle lock + 2 or 4 points long plate to embed (service leaf)

### ■ KG008 + KG009 or KG012

Lock + 2 or 4 points long plate (semi fixed leaf)

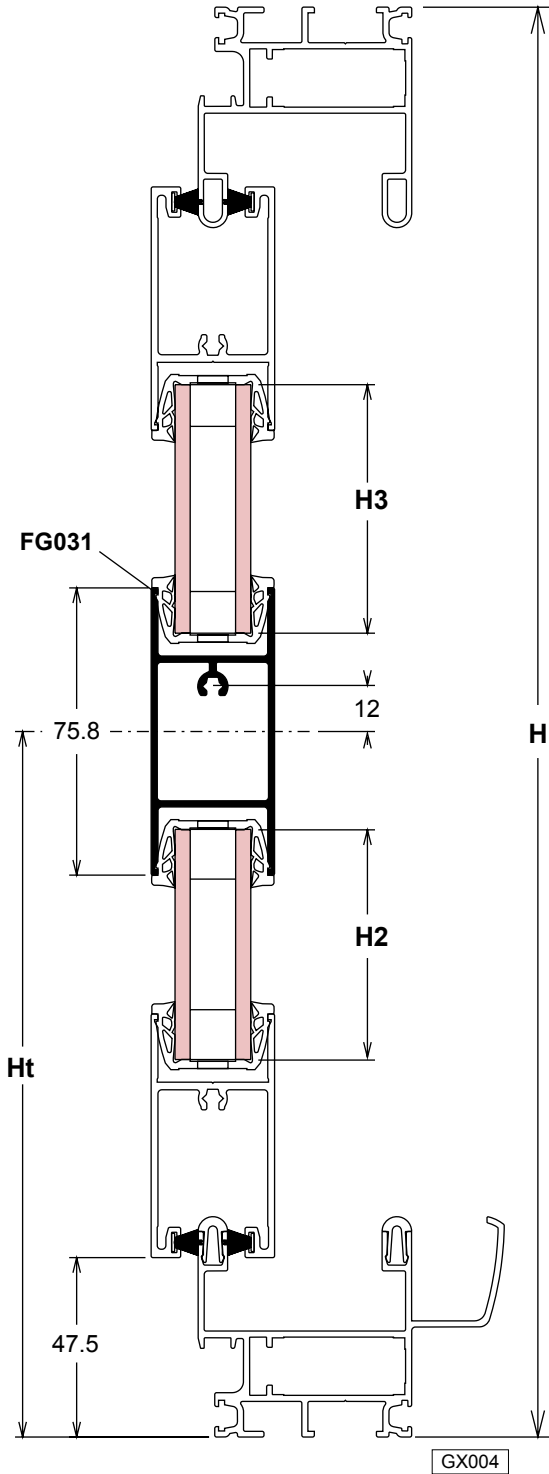


Opening frame : H mini = 1100 mm for 2 points lock  
 = 1950 mm for 4 points lock

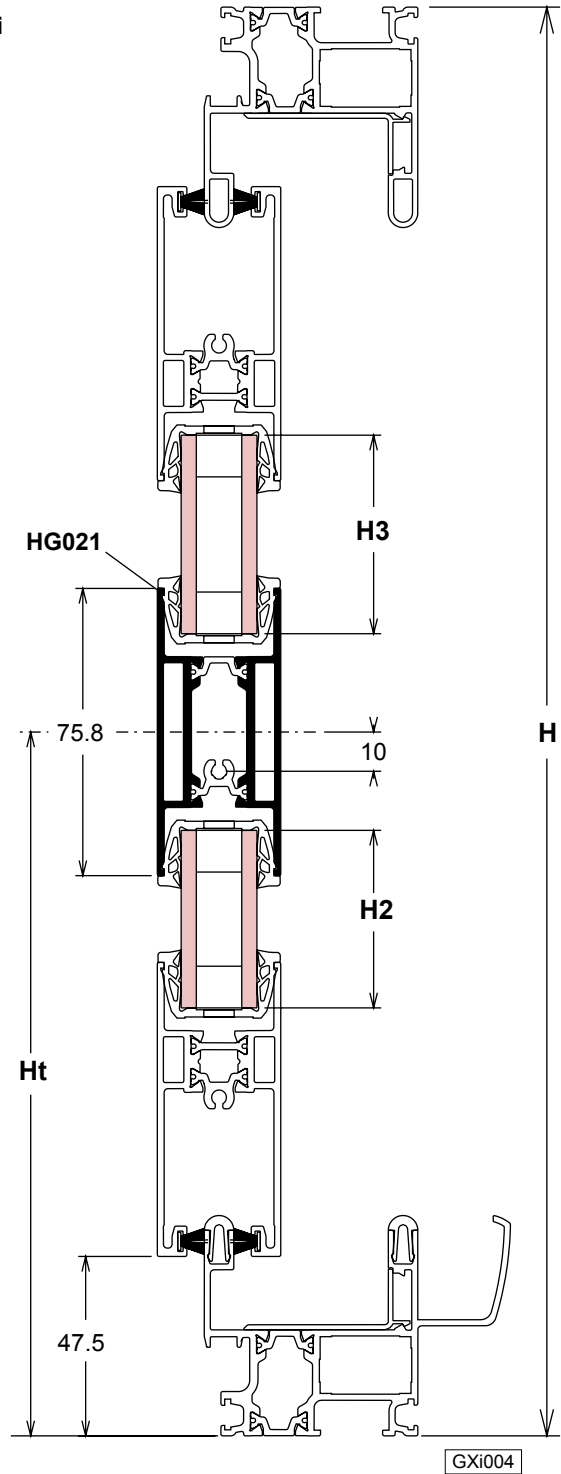
Options

Intermediate transom

■ GX



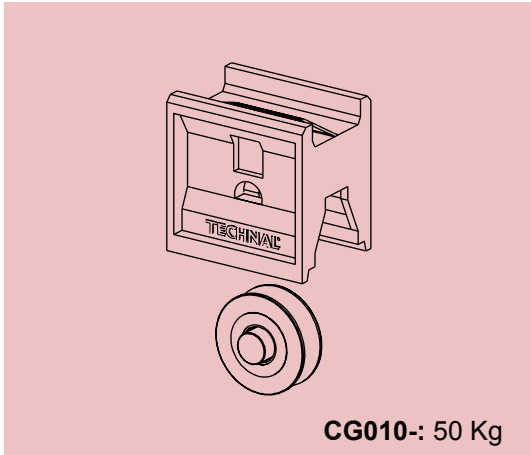
■ GXi



## Options

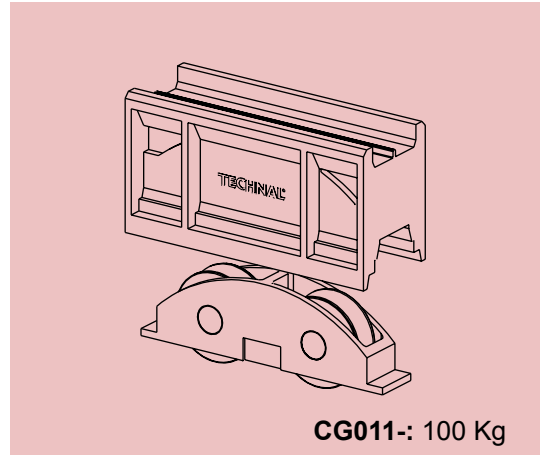
# Roller selection

### ■ Window

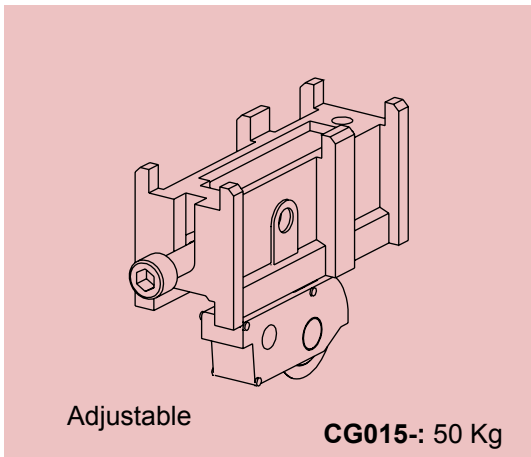


*(30kg on polyamide rail)*

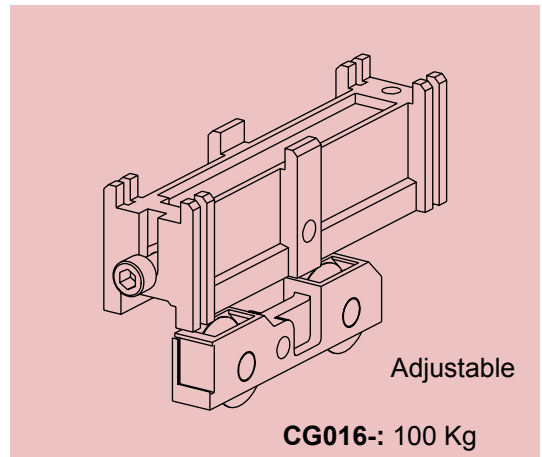
### ■ Patio-door



*(60kg on polyamide rail)*



*(30kg on polyamide rail)*

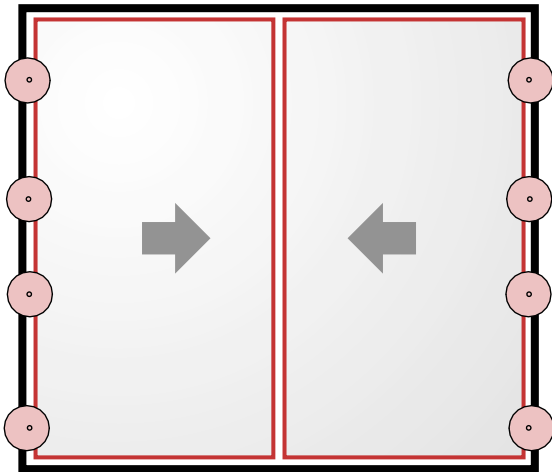


*(60kg on polyamide rail)*

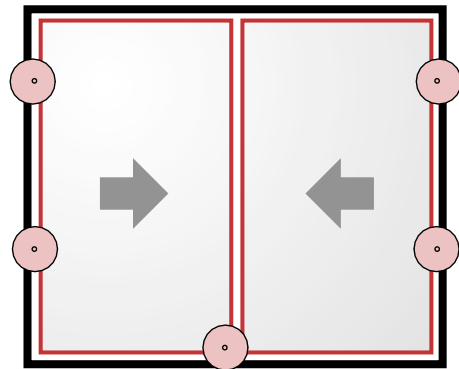
Options

**Security accessories**

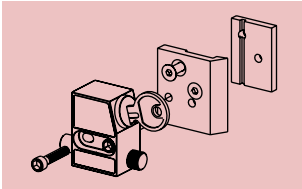
Possible fixing points on 2-leaf patio door



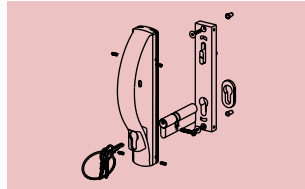
Possible fixing points on 2-leaf window



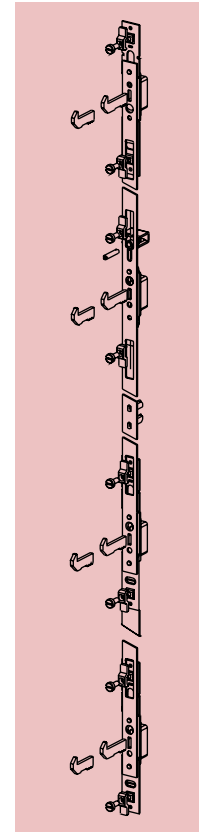
**KG011**  
Lock set with key



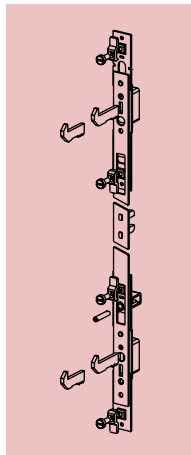
**CG014**  
Reinforced



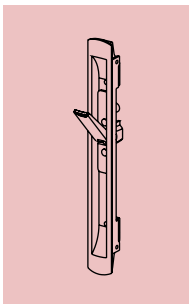
**KG012**  
4 points end section to embed



**KG009**  
2 points lock plate to embed



**KG008**  
Lock



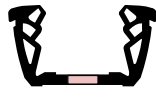
## Infill volumes

### Pocket glazing

#### ■ Double glazing – pre-drained gaskets



JE006 :  
14 mm



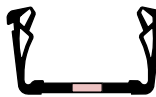
JE001 :  
20 mm



JE007 :  
16 mm



JE009 :  
22 mm



JE010 :  
24 mm

#### ■ Single glazing



JE002 : 6 mm



JE003 : 8 mm



JE004 : 10 mm

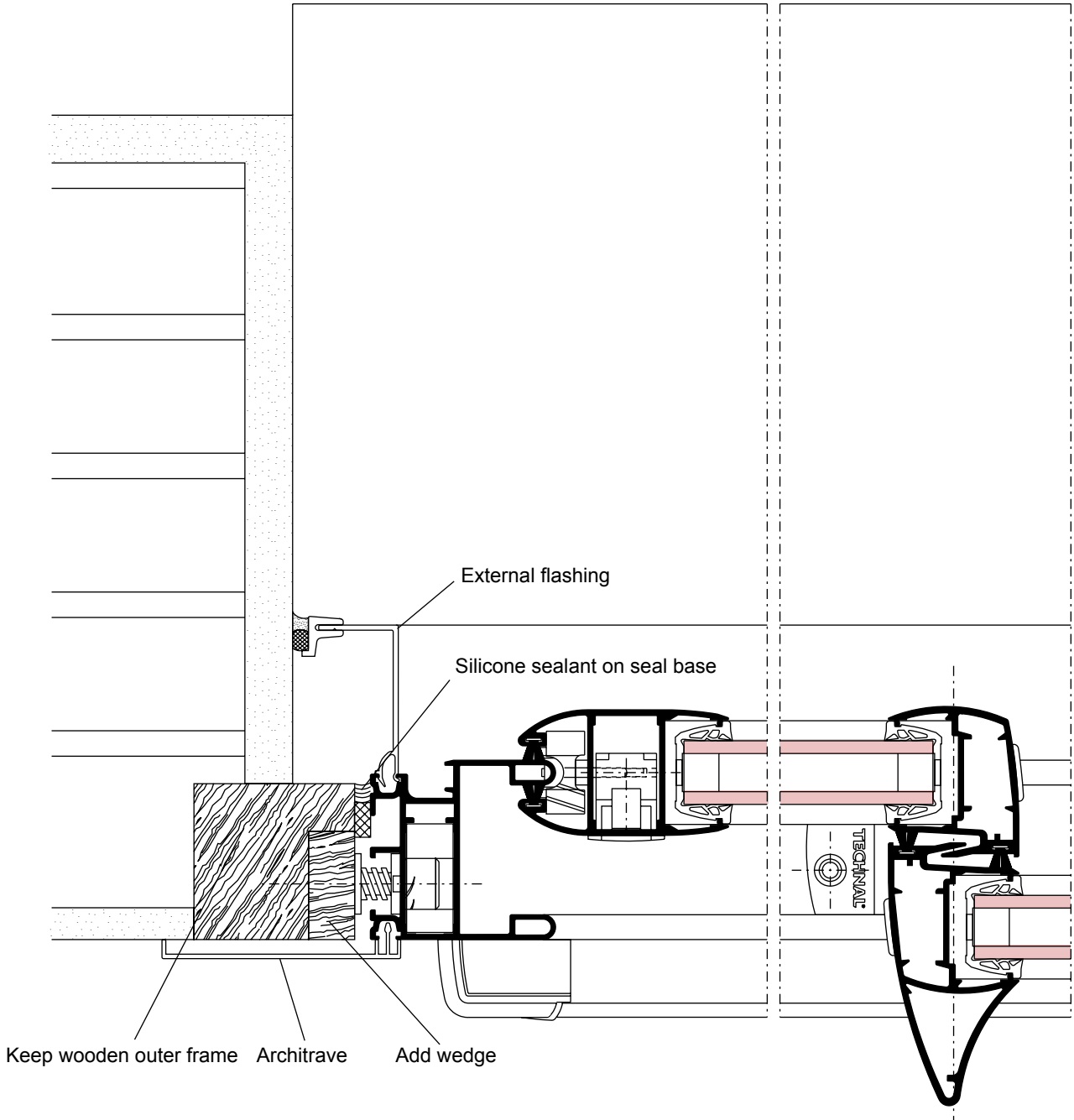


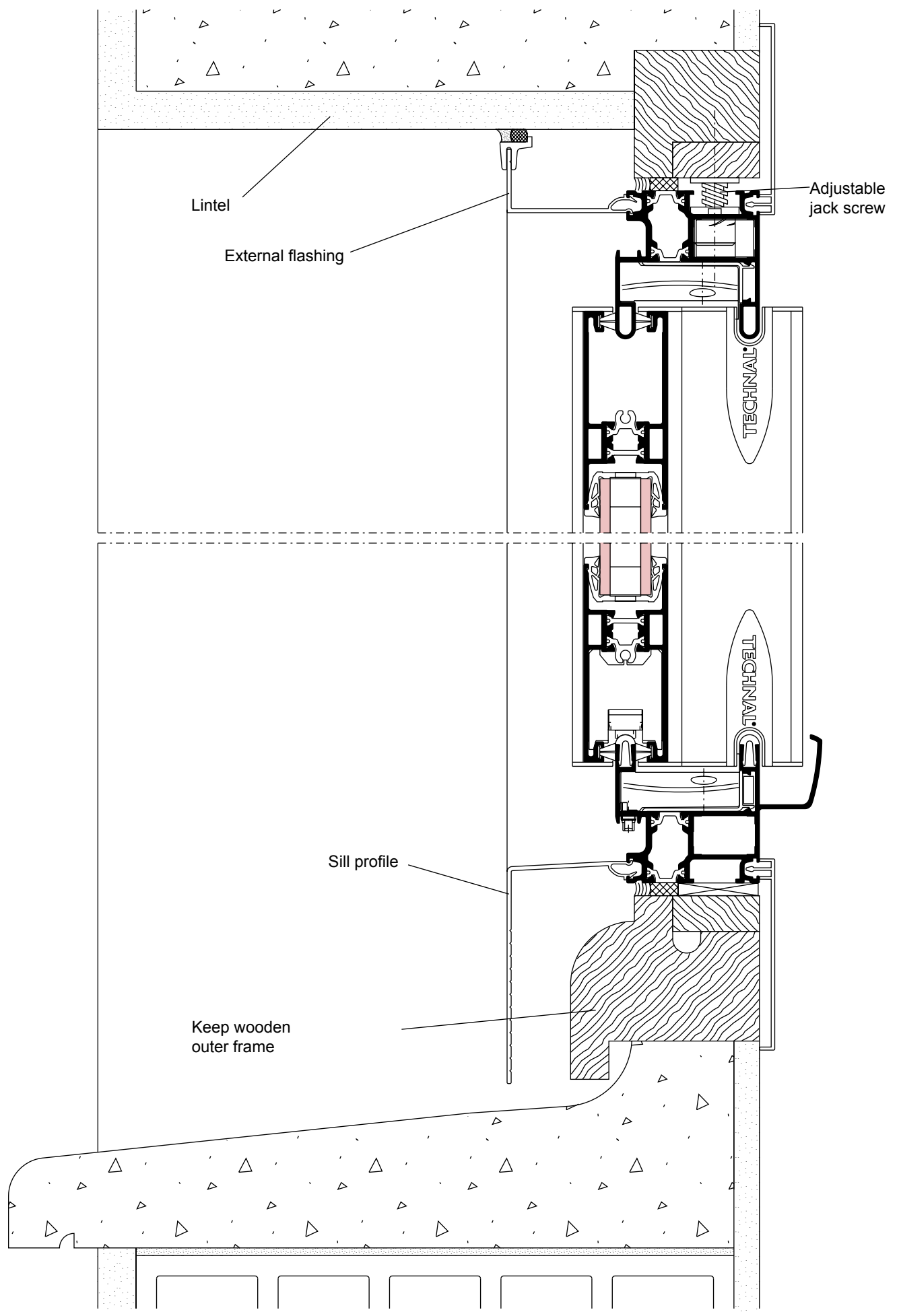
JE005 : 12 mm

**Installation examples**

**Renovation installation**

Horizontal and vertical scale 1/2



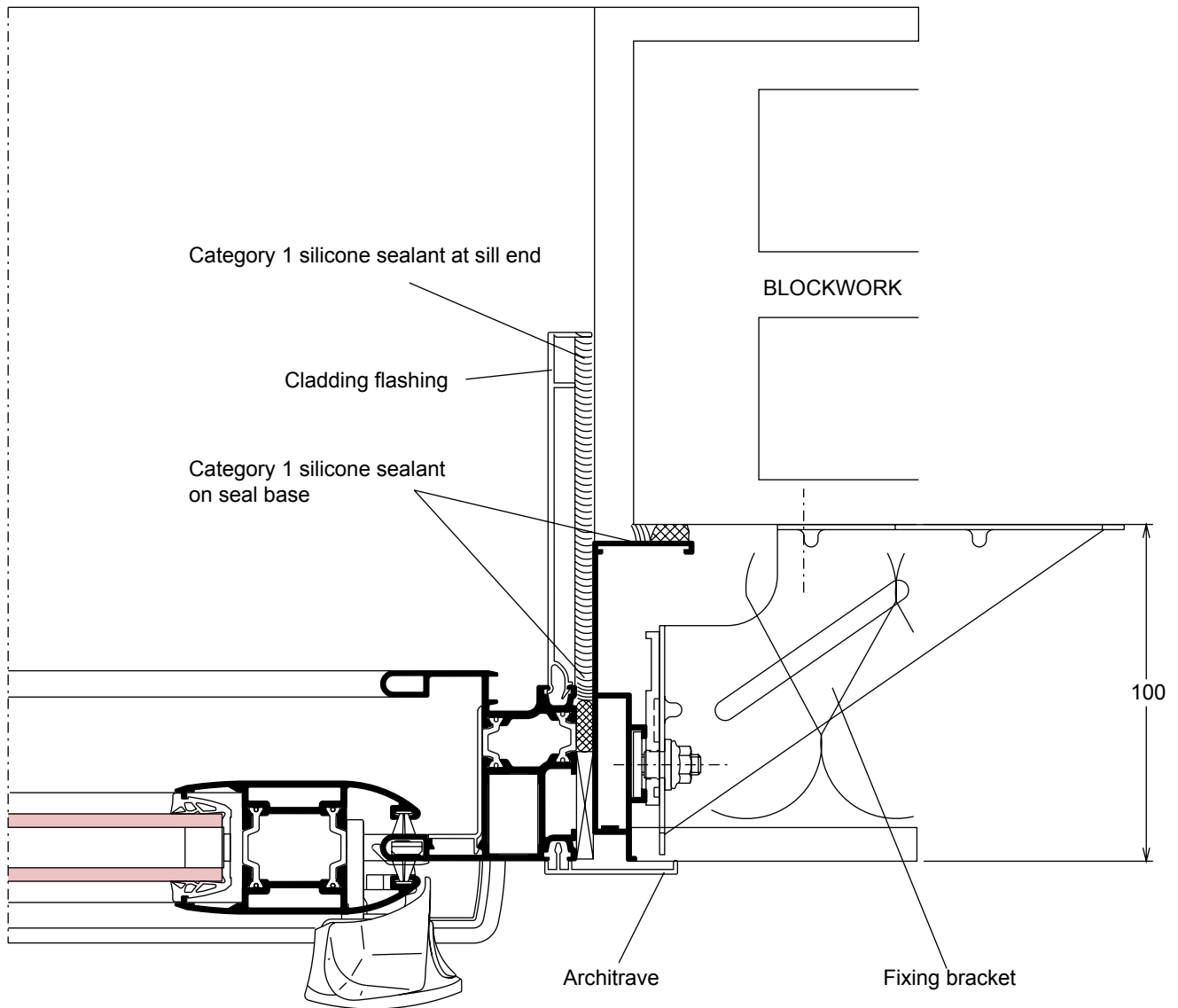


GX108

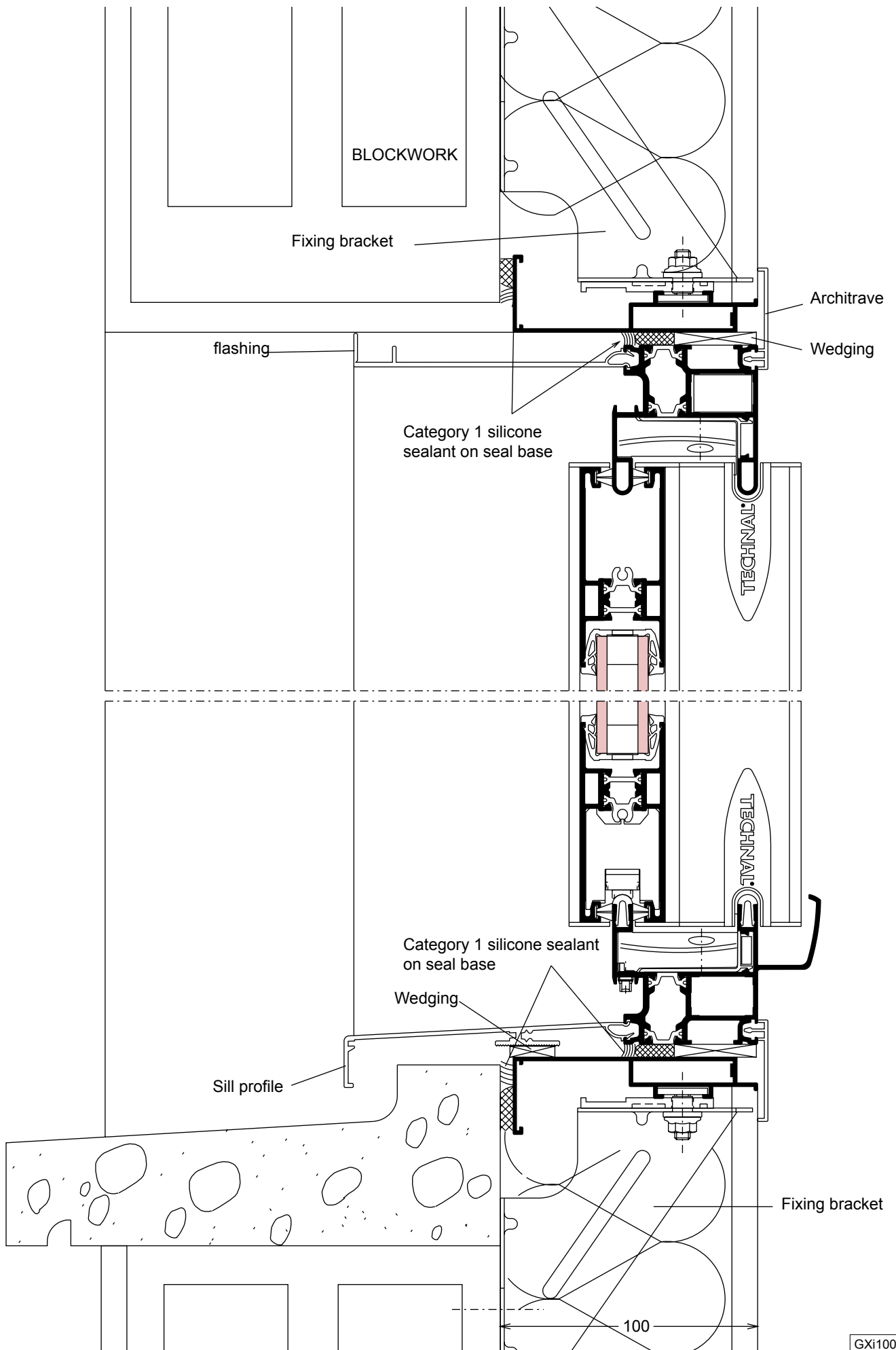
### Installation examples

## Installation on Technal aluminium pre-frame

Horizontal and vertical scale 1/2



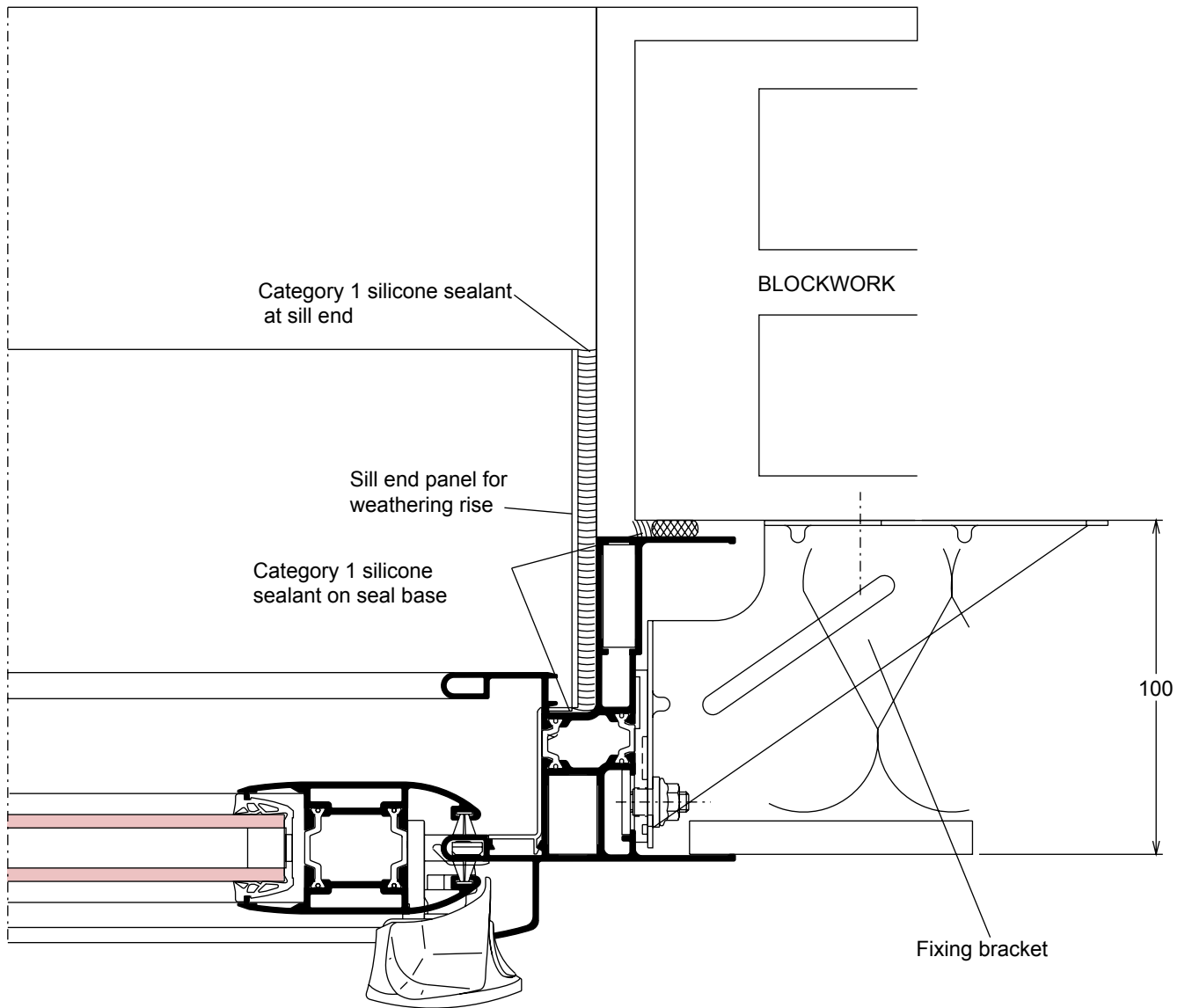


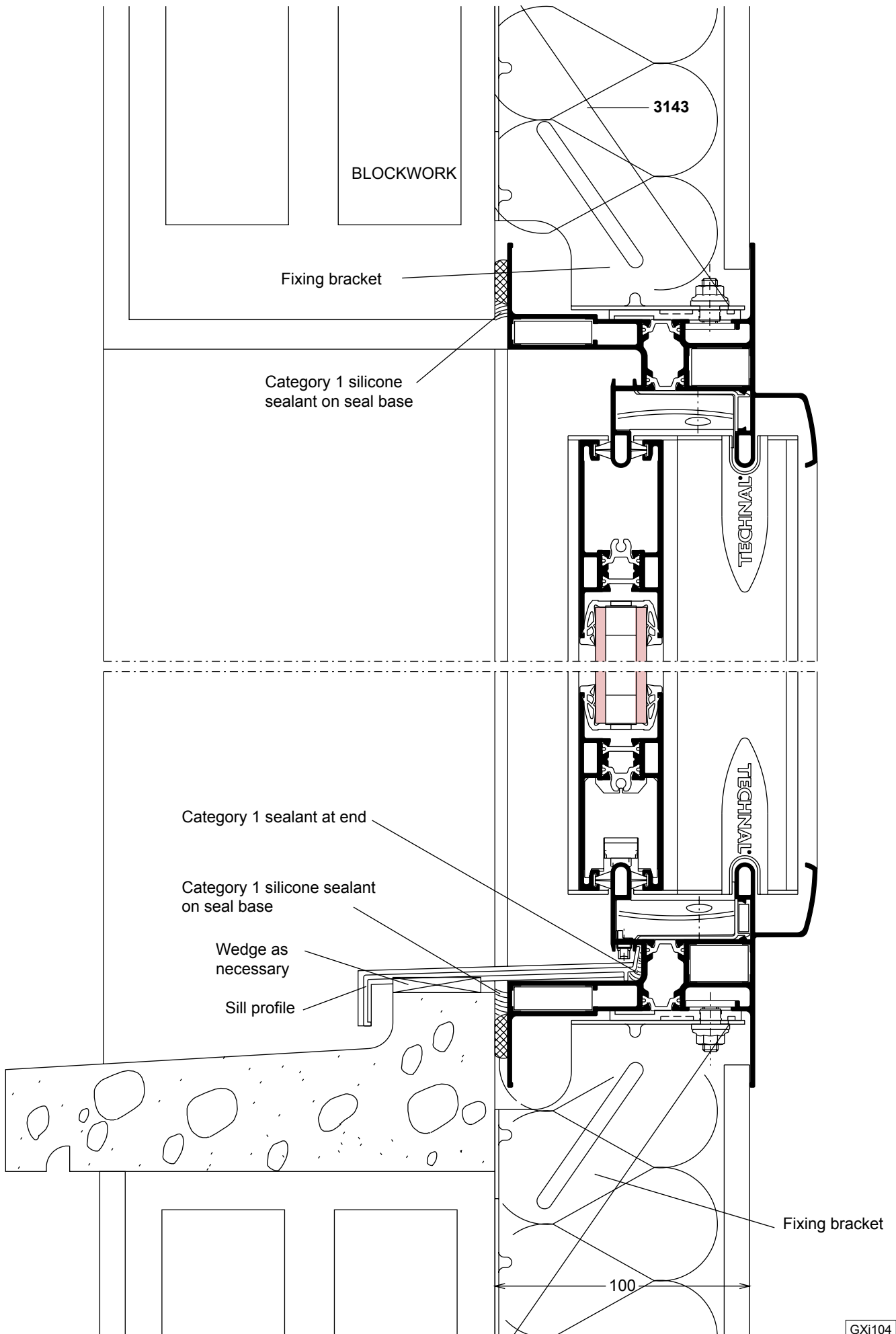


### Installation examples

## Installation on outer frame with pre-frame

Horizontal and vertical scale 1/2

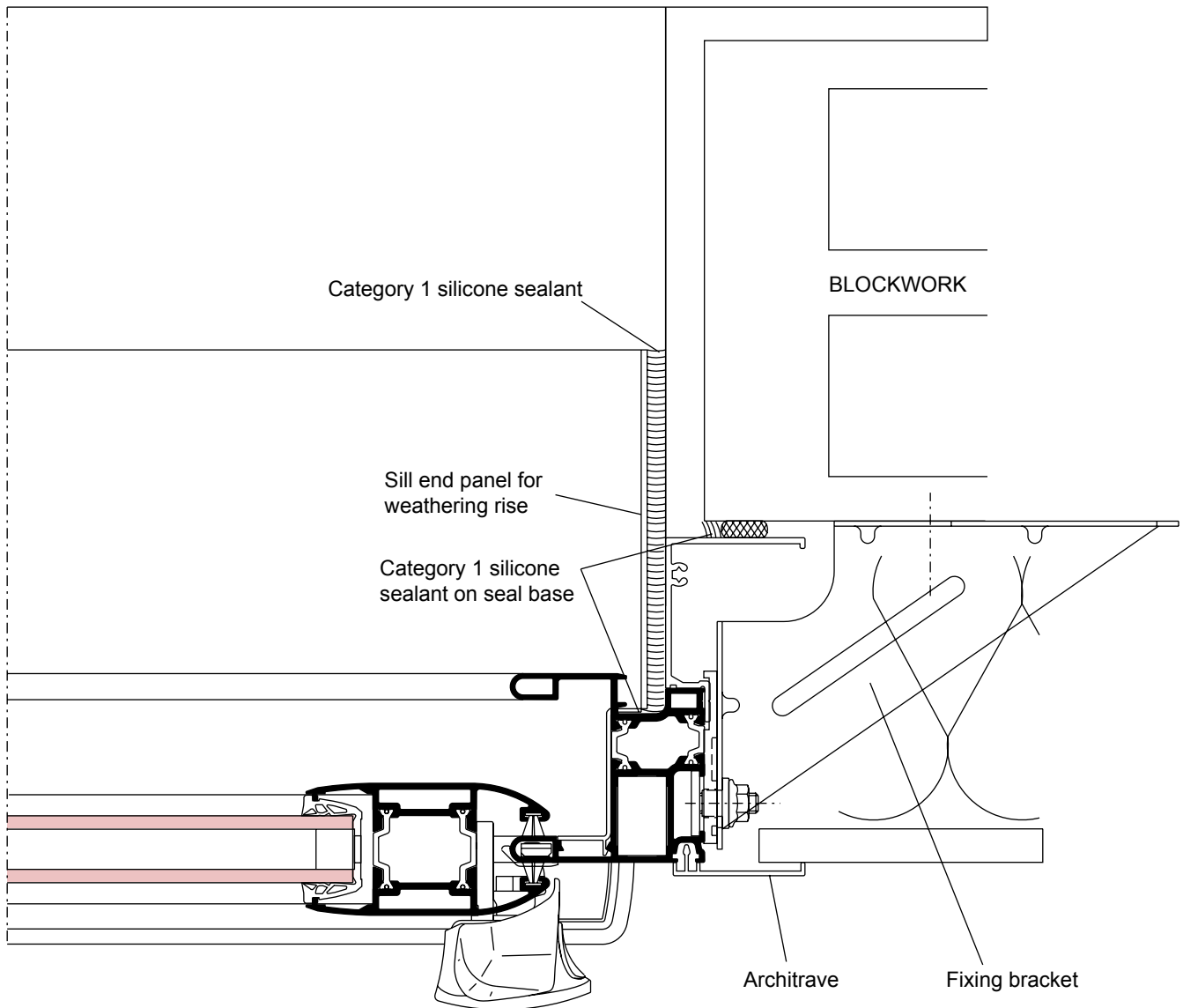


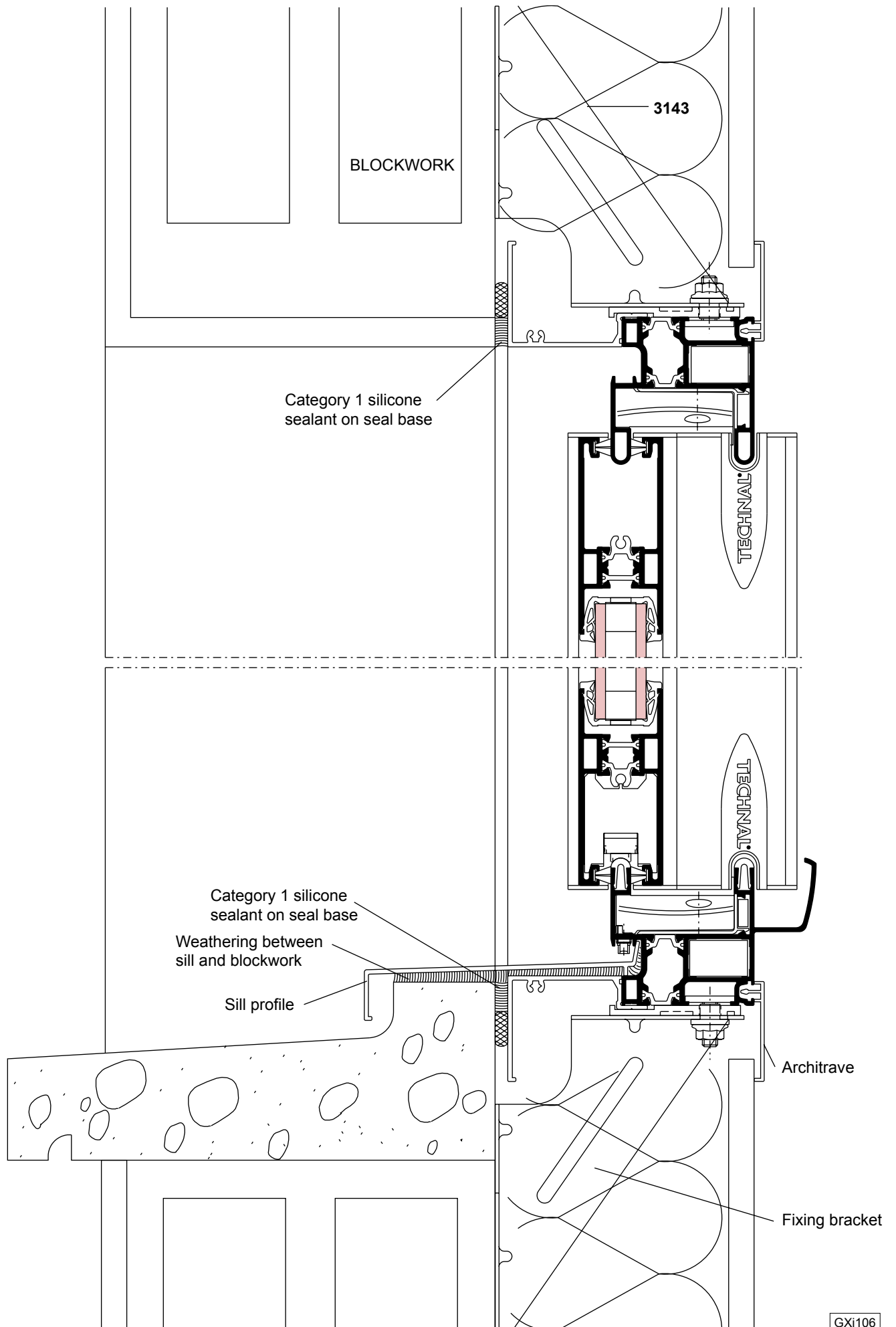


Installation examples

**Installation on outer frame with reconstituted pre-frame and additional flashing**

Horizontal and vertical scale 1/2



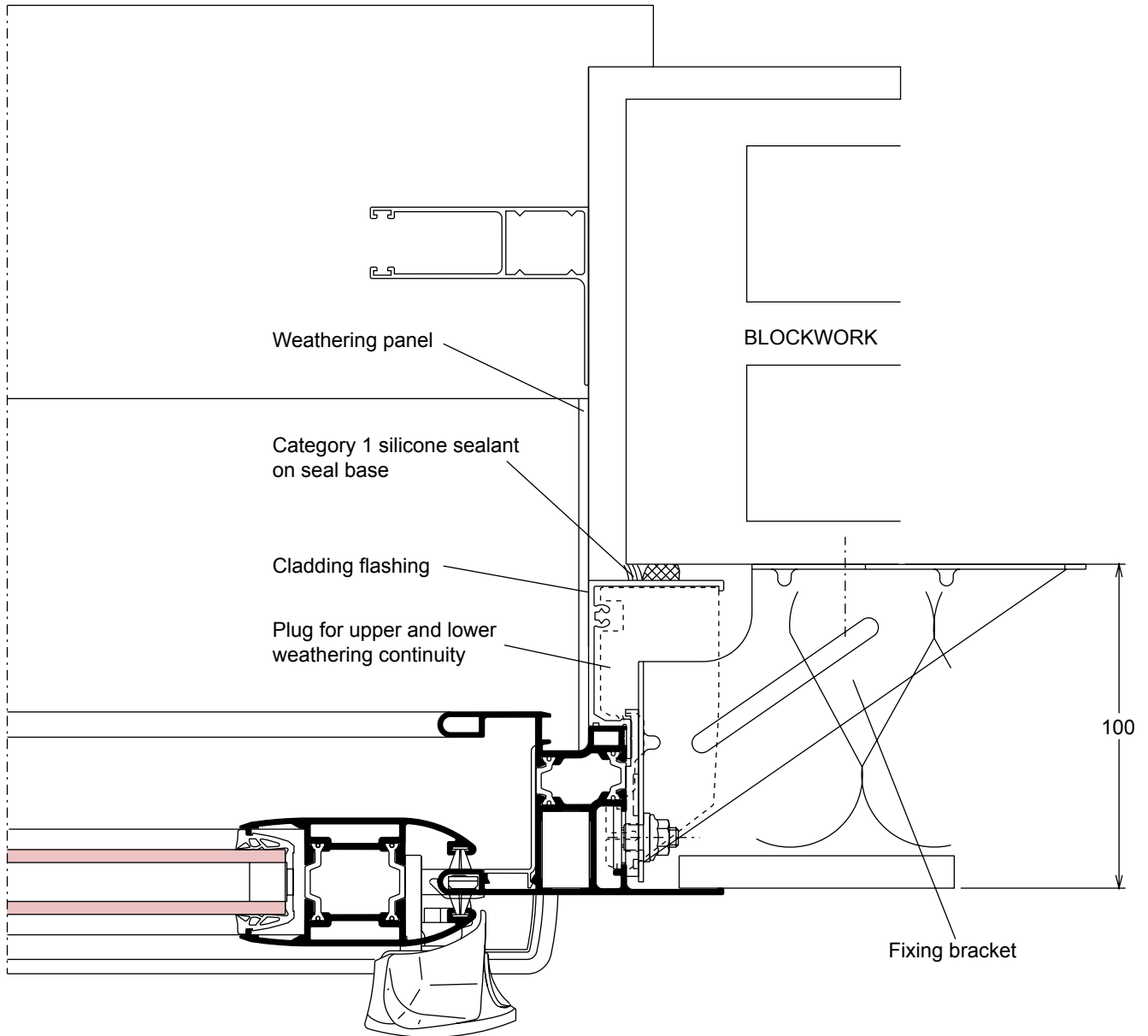


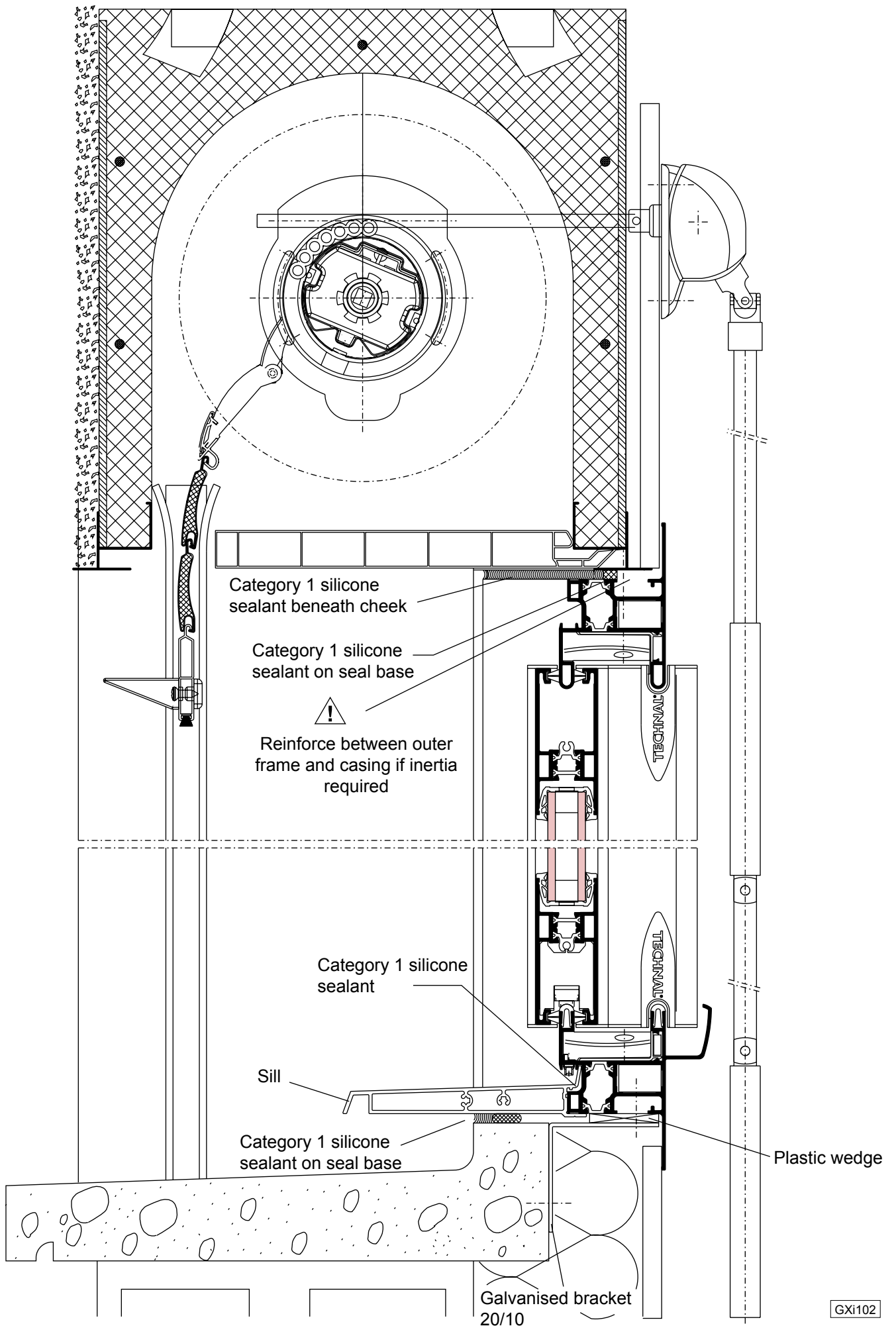
GXi106

Installation examples

Installation beneath tunnel casing with additional flashing

Horizontal and vertical scale 1/2



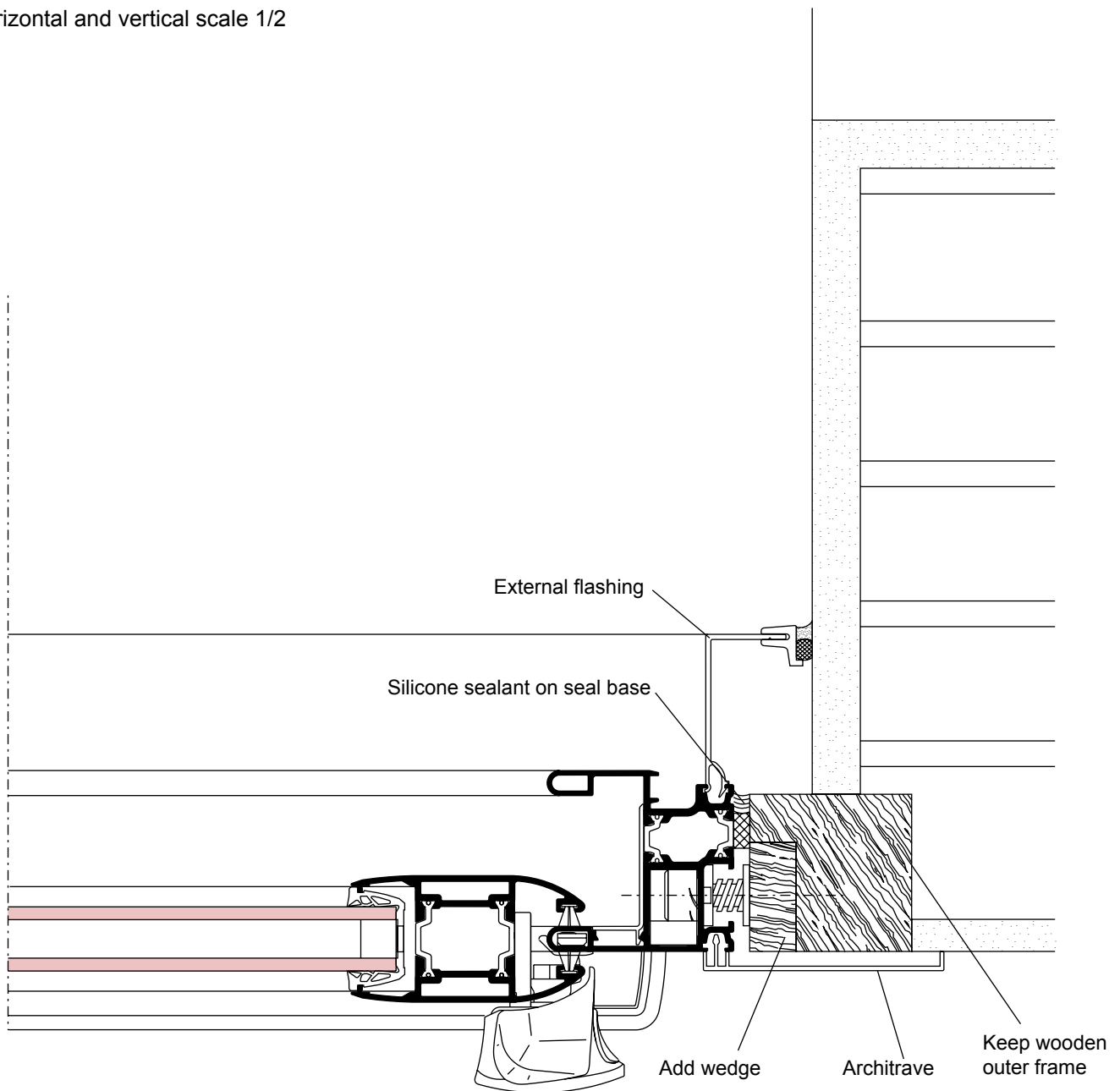


GXi102

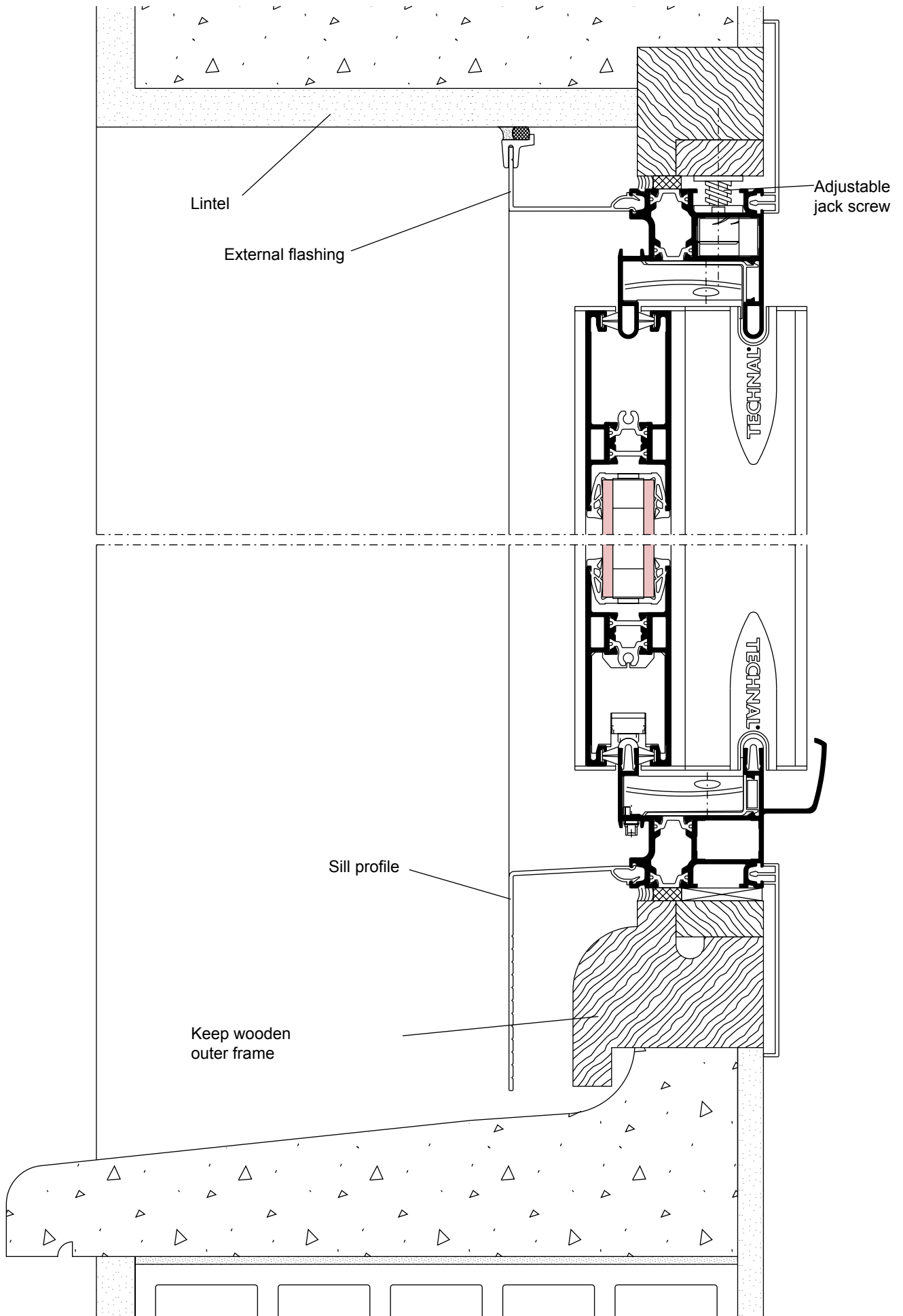
Installation examples

Renovation installation

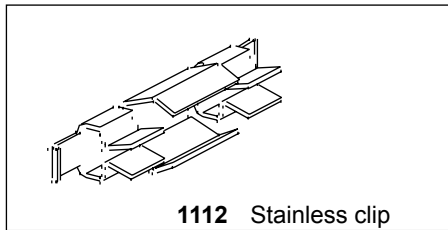
Horizontal and vertical scale 1/2



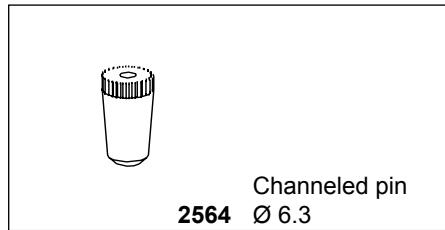




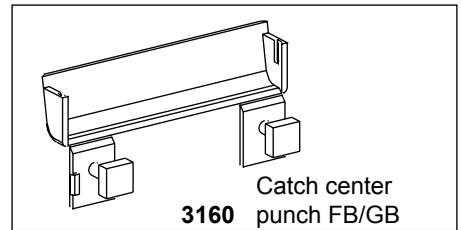
GXi108



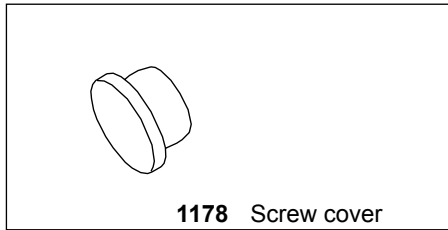
**1112** Stainless clip



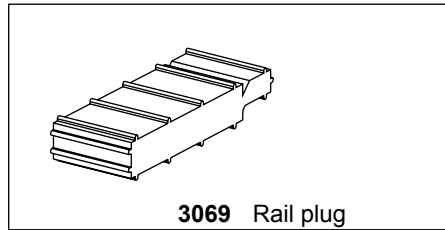
**2564** Channeled pin  
Ø 6.3



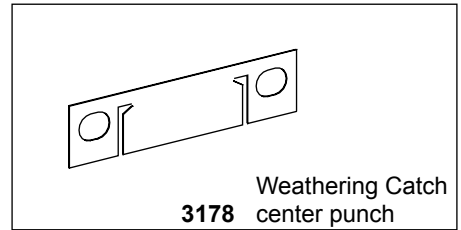
**3160** Catch center punch FB/GB



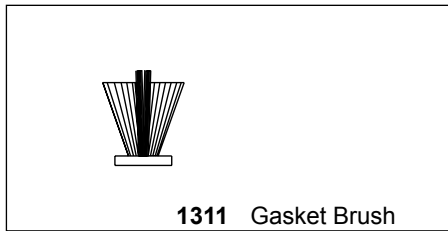
**1178** Screw cover



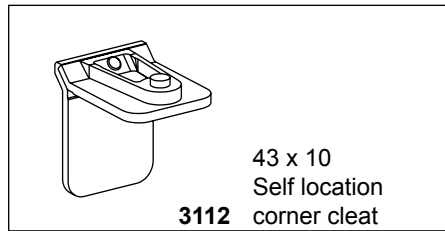
**3069** Rail plug



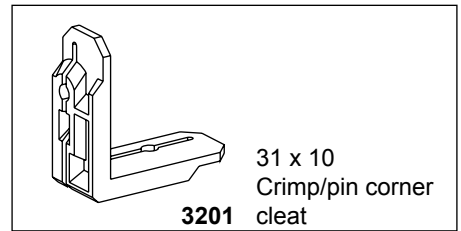
**3178** Weathering Catch center punch



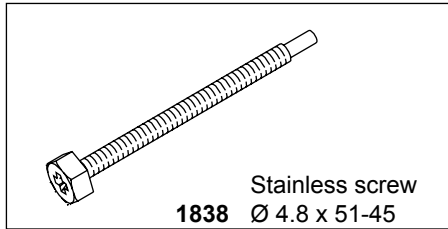
**1311** Gasket Brush



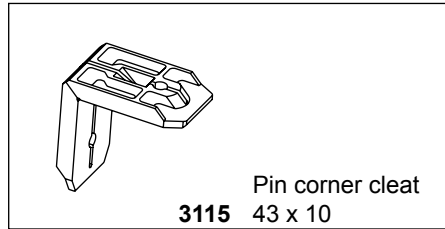
**3112** 43 x 10 Self location corner cleat



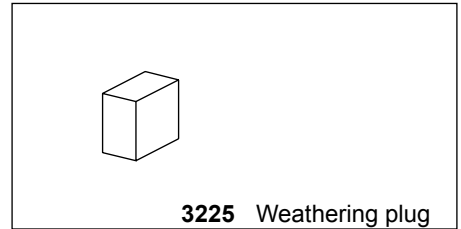
**3201** 31 x 10 Crimp/pin corner cleat



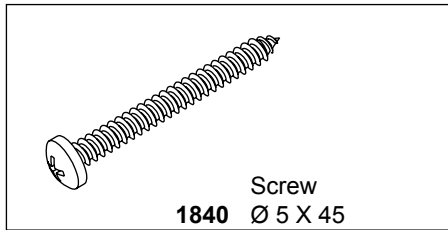
**1838** Stainless screw  
Ø 4.8 x 51-45



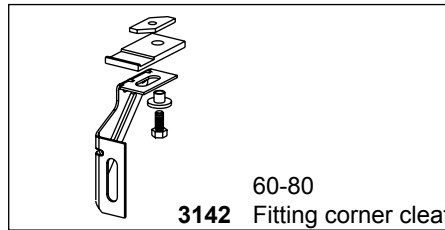
**3115** Pin corner cleat  
43 x 10



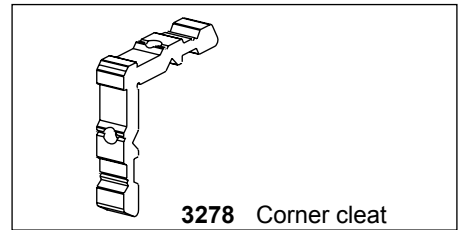
**3225** Weathering plug



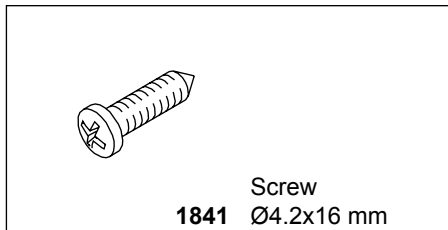
**1840** Screw  
Ø 5 X 45



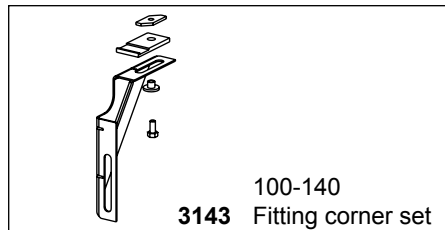
**3142** 60-80 Fitting corner cleat



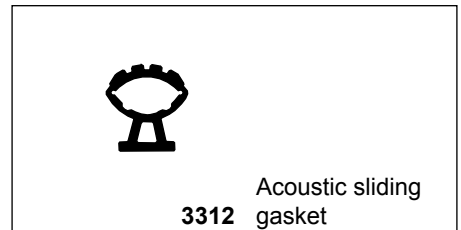
**3278** Corner cleat



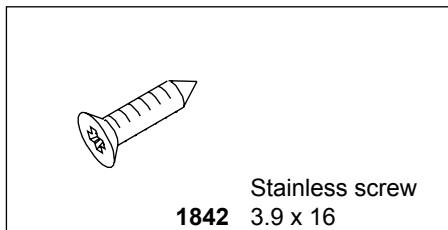
**1841** Screw  
Ø4.2x16 mm



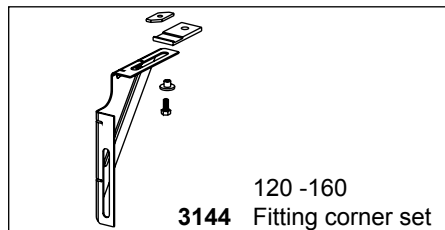
**3143** 100-140 Fitting corner set



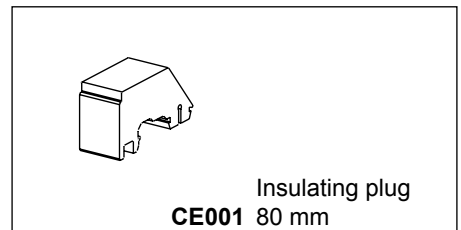
**3312** Acoustic sliding gasket



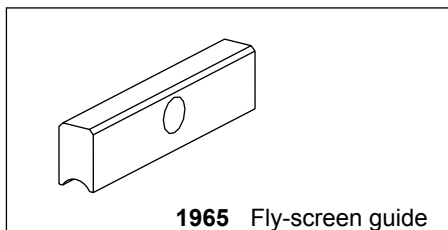
**1842** Stainless screw  
3.9 x 16



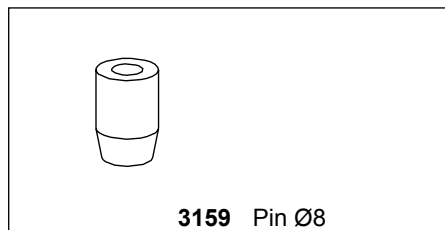
**3144** 120 -160 Fitting corner set



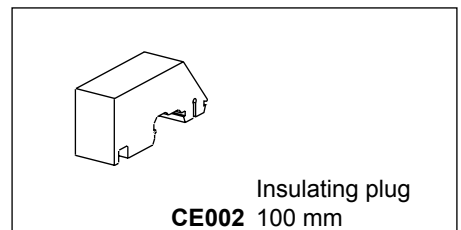
**CE001** Insulating plug  
80 mm



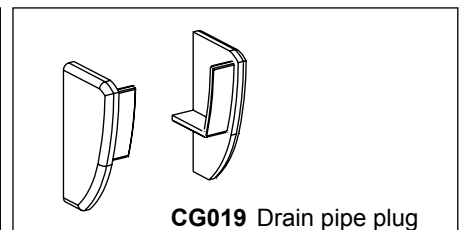
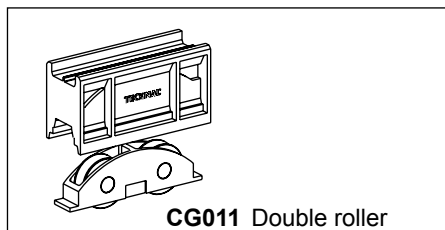
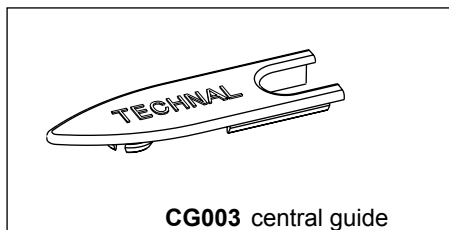
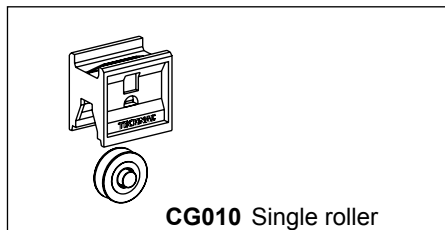
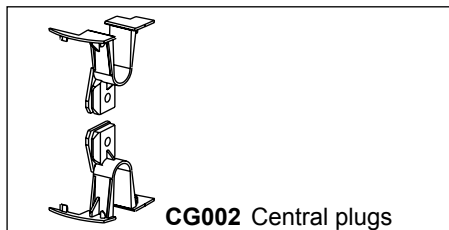
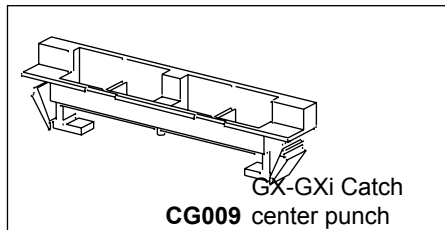
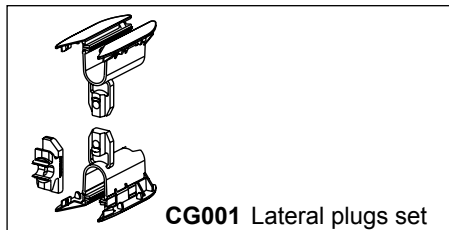
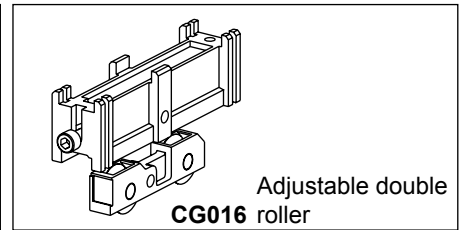
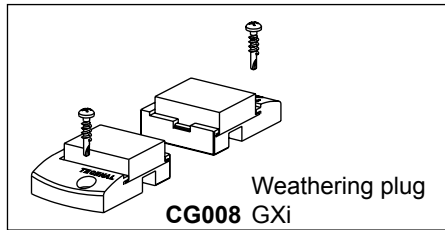
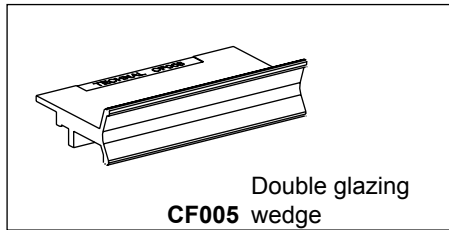
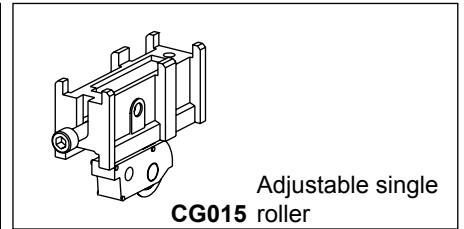
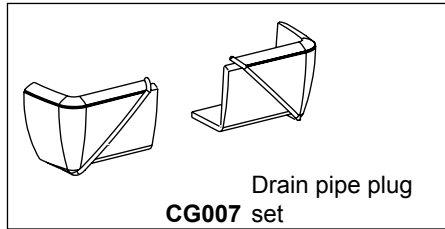
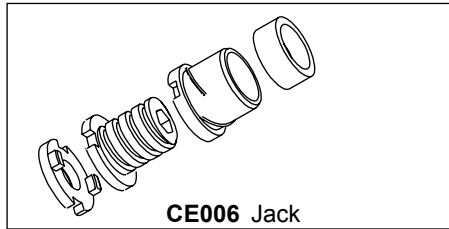
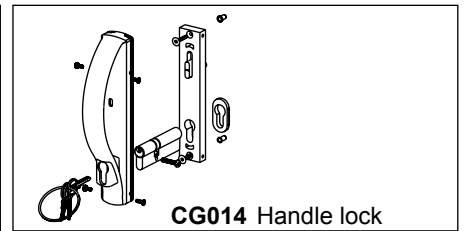
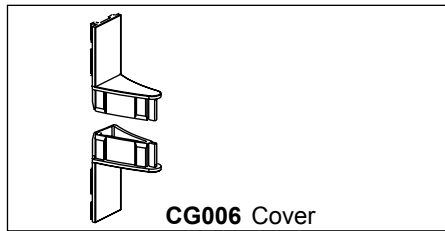
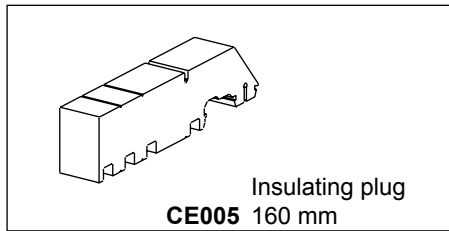
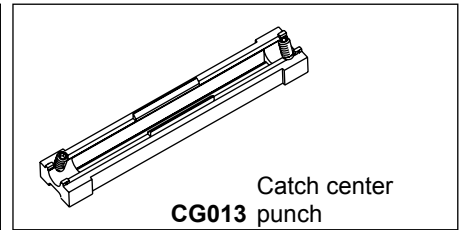
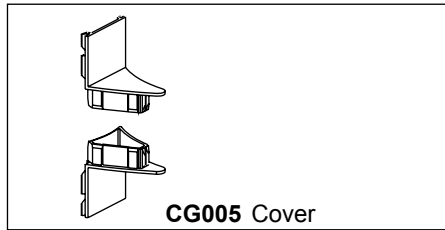
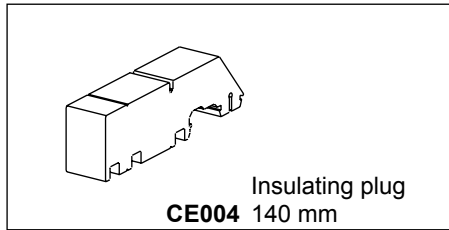
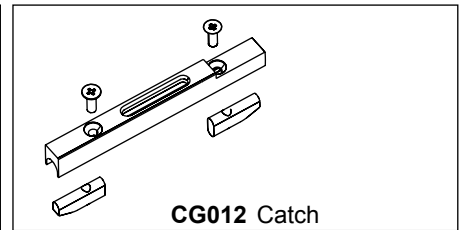
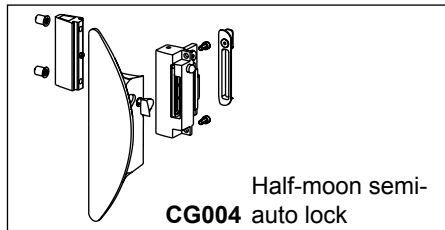
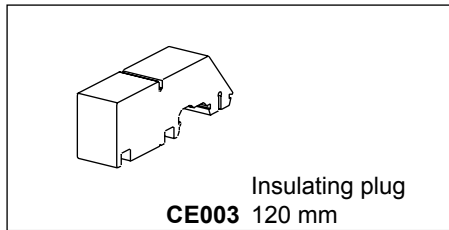
**1965** Fly-screen guide

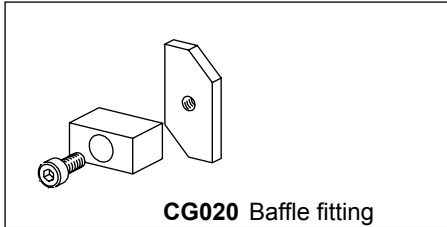


**3159** Pin Ø8

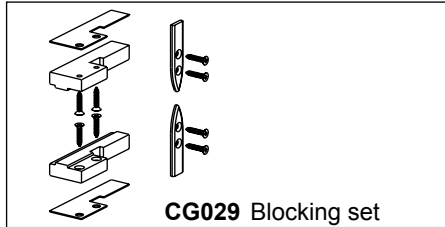


**CE002** Insulating plug  
100 mm

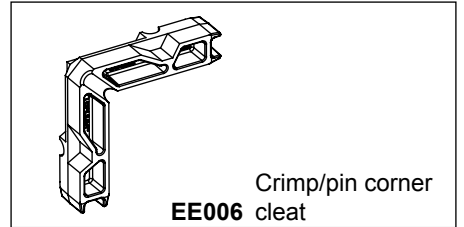




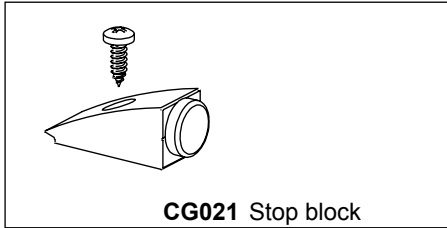
**CG020** Baffle fitting



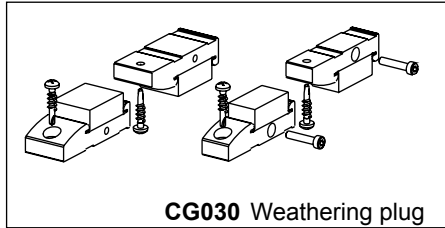
**CG029** Blocking set



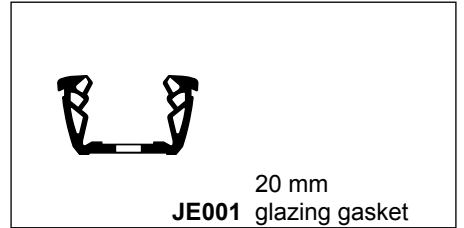
**EE006** Crimp/pin corner cleat



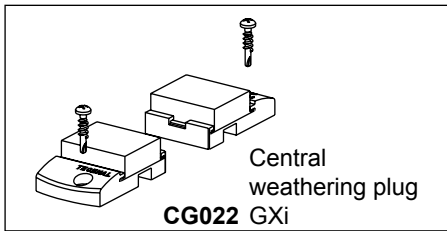
**CG021** Stop block



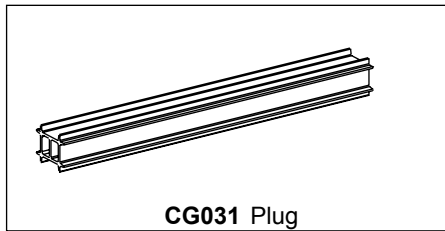
**CG030** Weathering plug



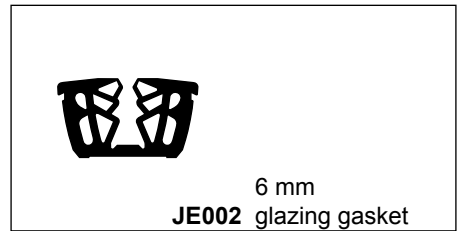
**JE001** 20 mm glazing gasket



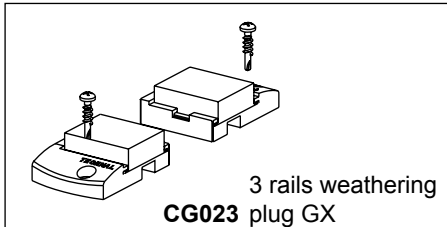
**CG022** GXi Central weathering plug



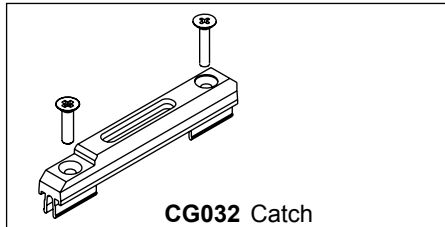
**CG031** Plug



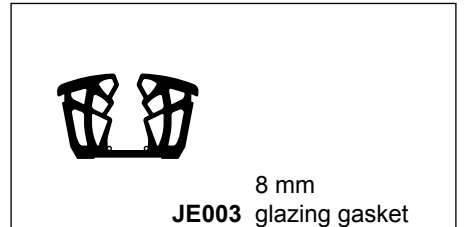
**JE002** 6 mm glazing gasket



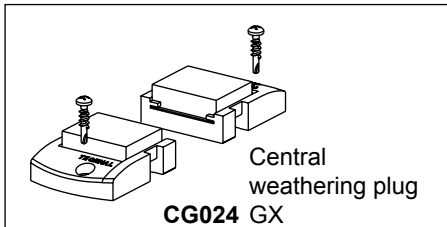
**CG023** 3 rails weathering plug GX



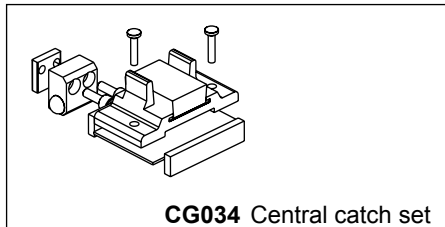
**CG032** Catch



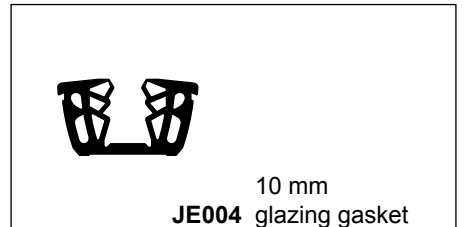
**JE003** 8 mm glazing gasket



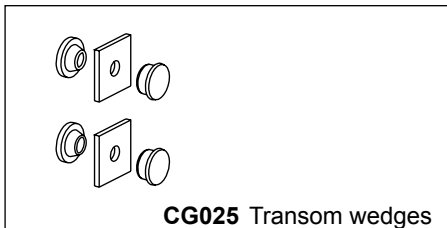
**CG024** GX Central weathering plug



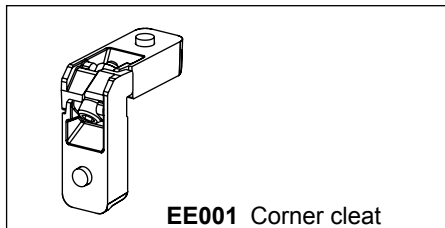
**CG034** Central catch set



**JE004** 10 mm glazing gasket



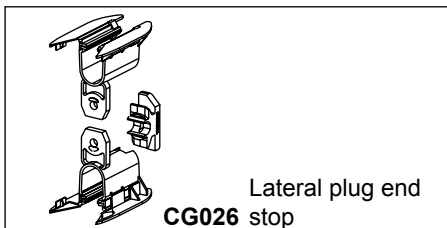
**CG025** Transom wedges



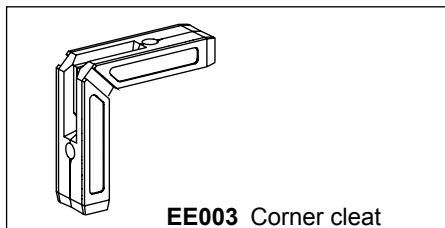
**EE001** Corner cleat



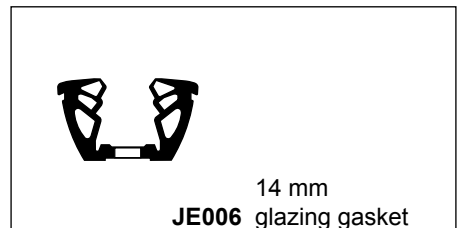
**JE005** 12 mm glazing gasket



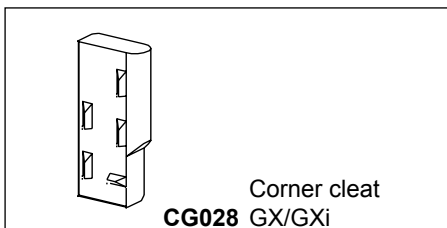
**CG026** Lateral plug end stop



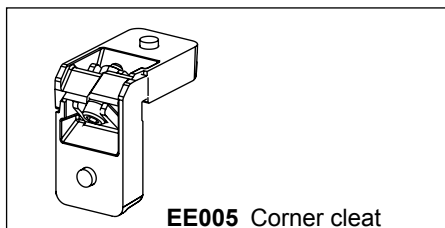
**EE003** Corner cleat



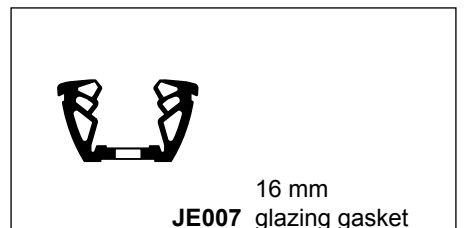
**JE006** 14 mm glazing gasket



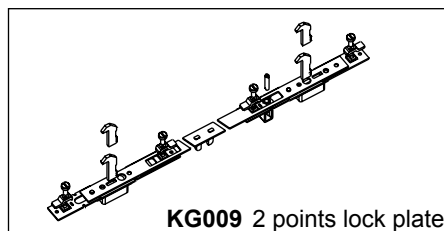
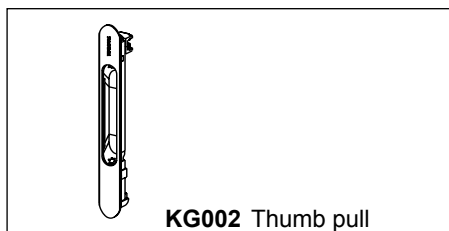
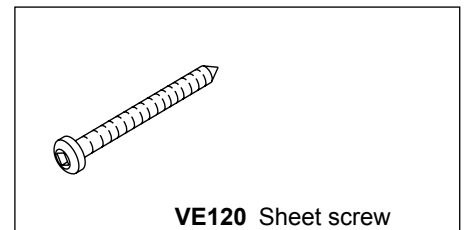
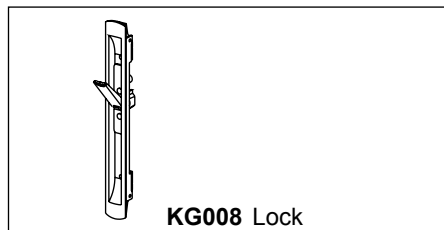
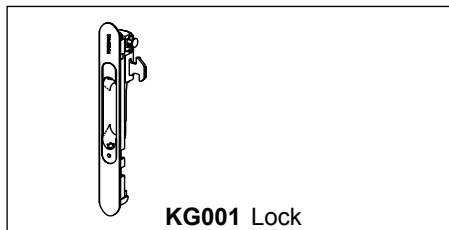
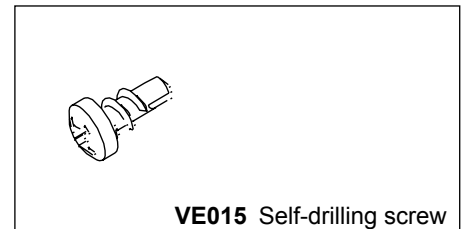
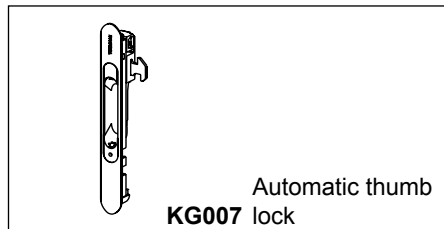
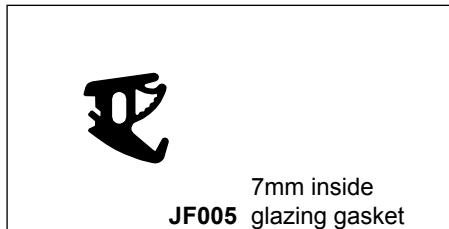
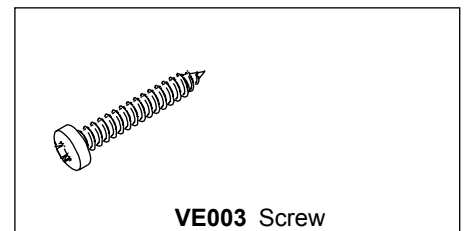
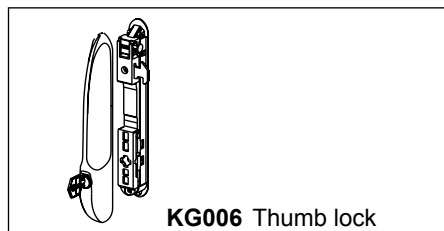
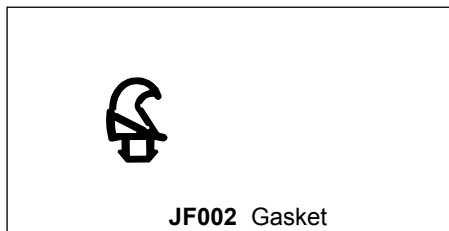
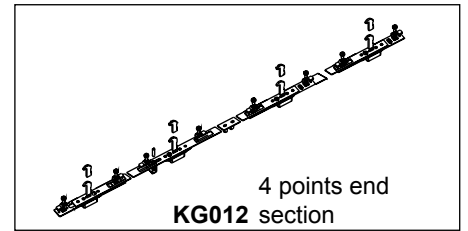
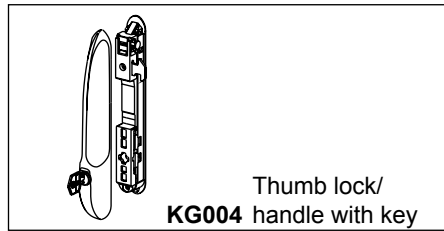
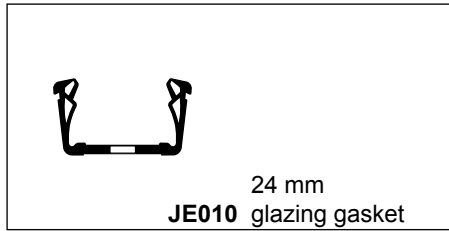
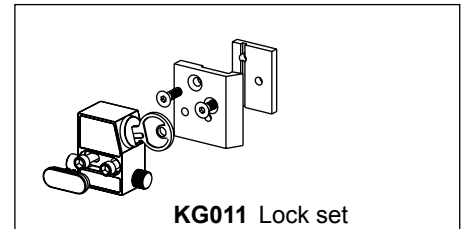
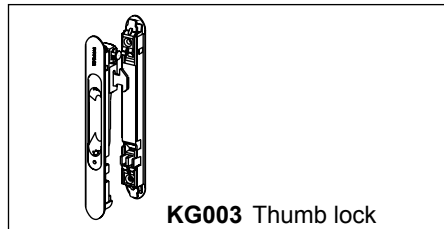
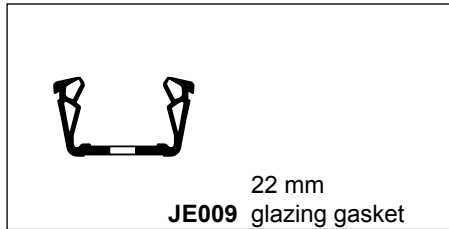
**CG028** GX/GXi Corner cleat

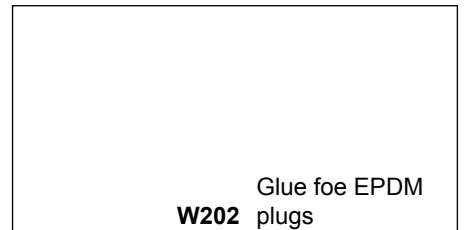
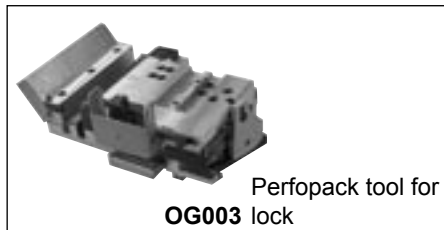
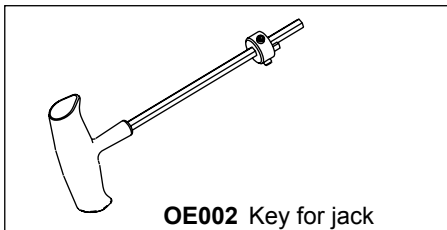
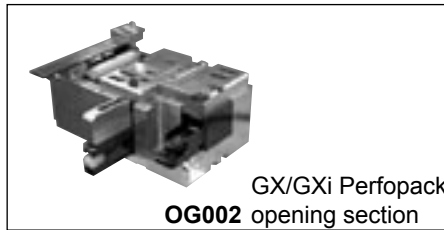
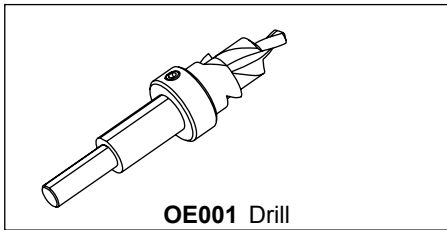
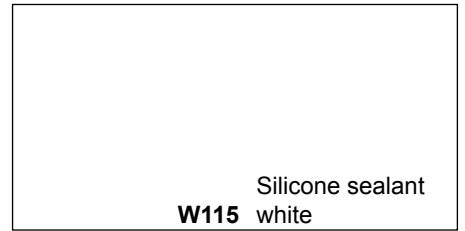
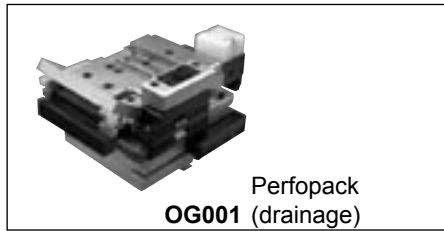
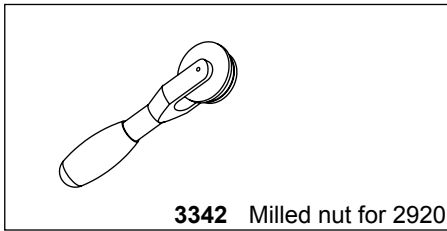
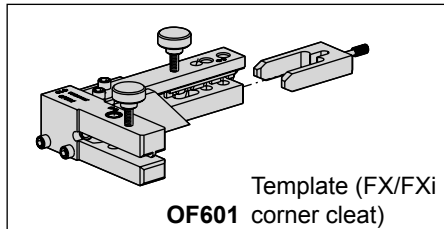
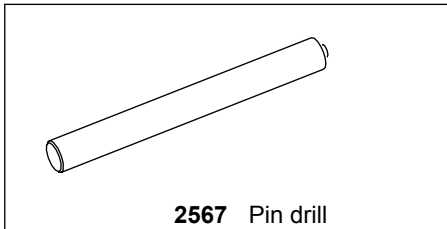
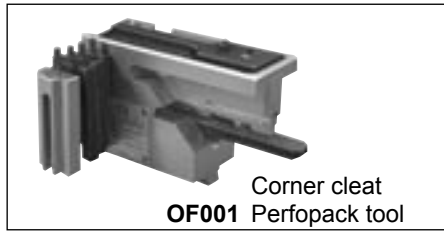
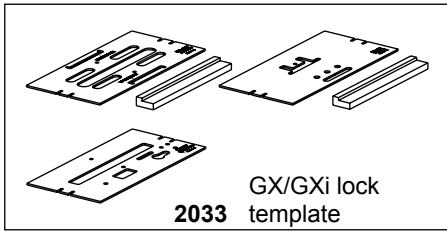


**EE005** Corner cleat

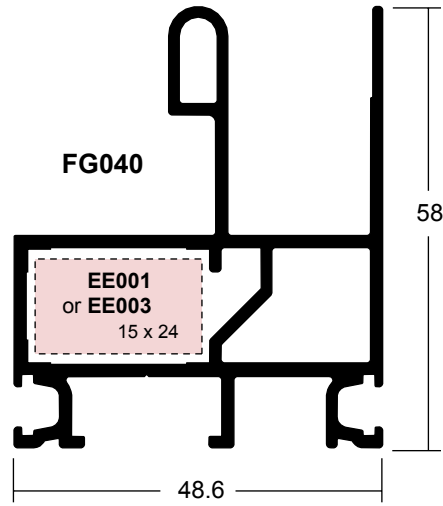
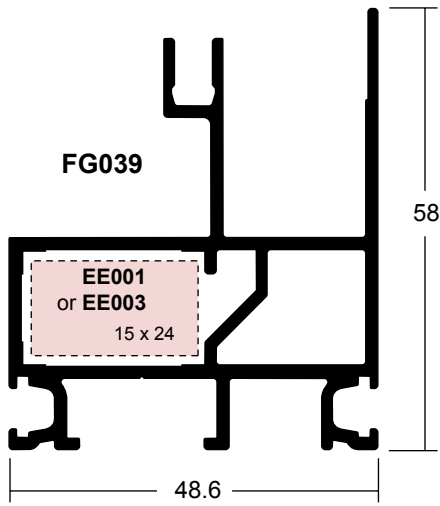
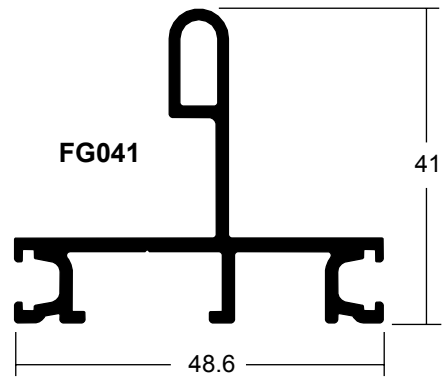


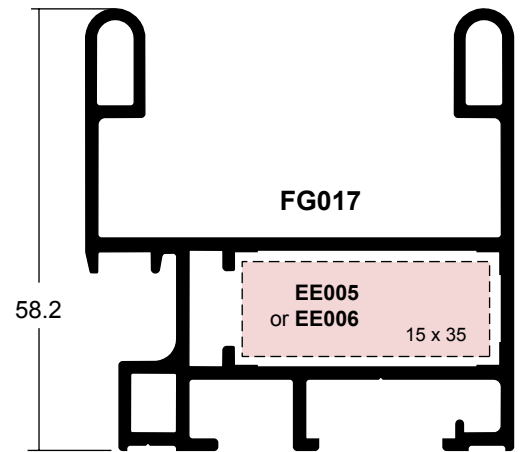
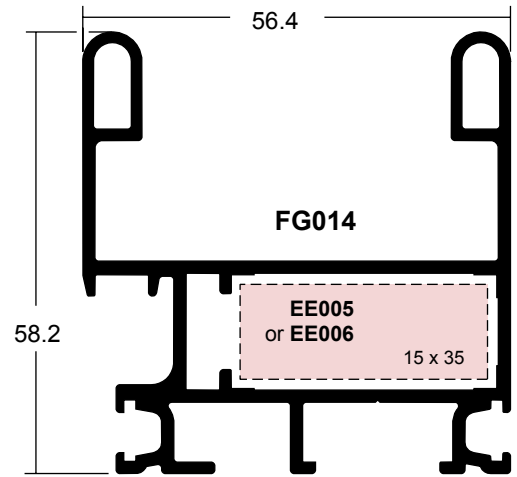
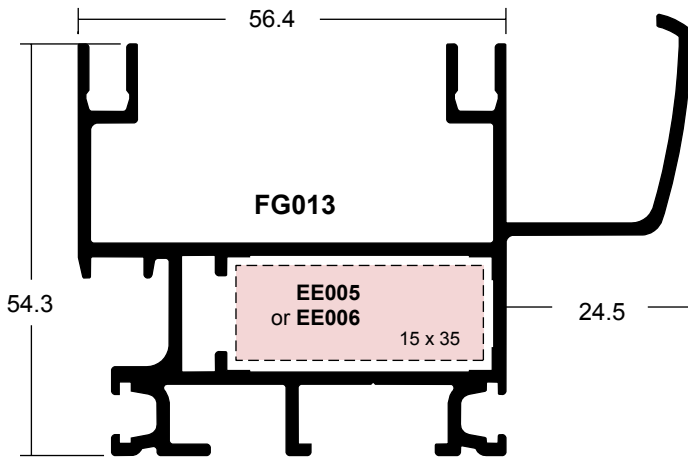
**JE007** 16 mm glazing gasket



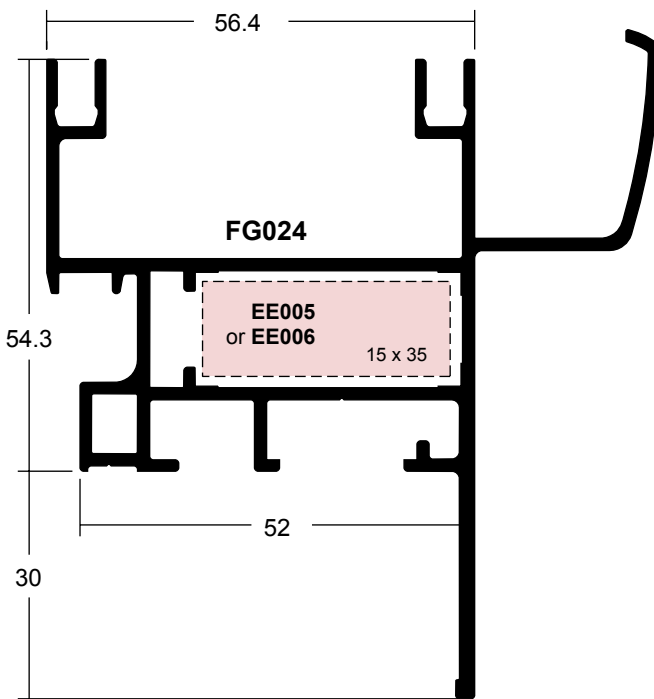
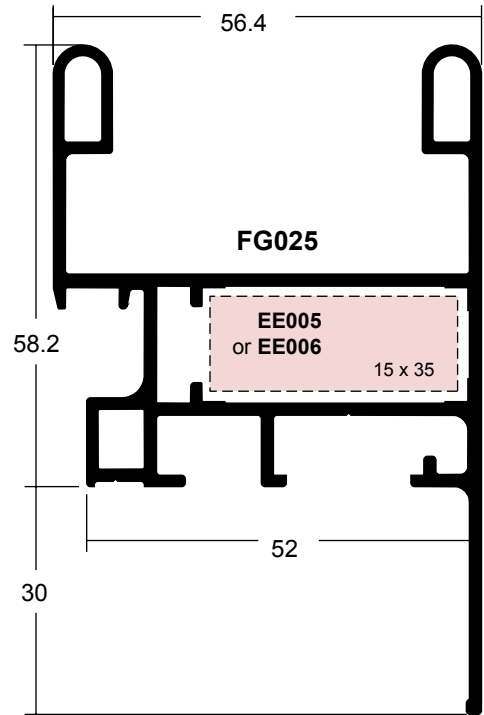
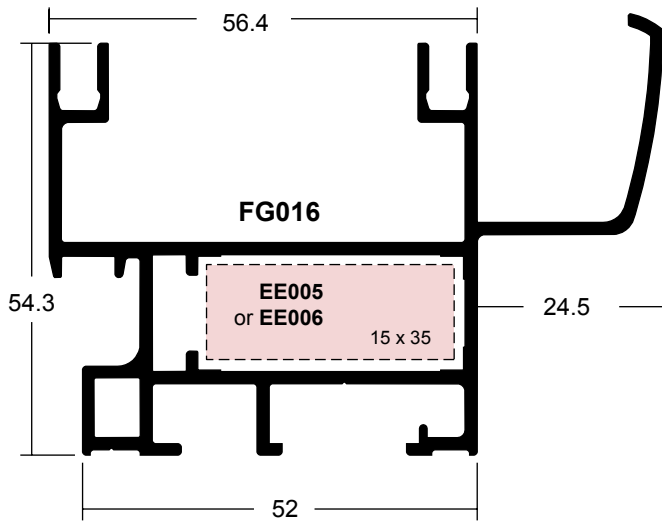


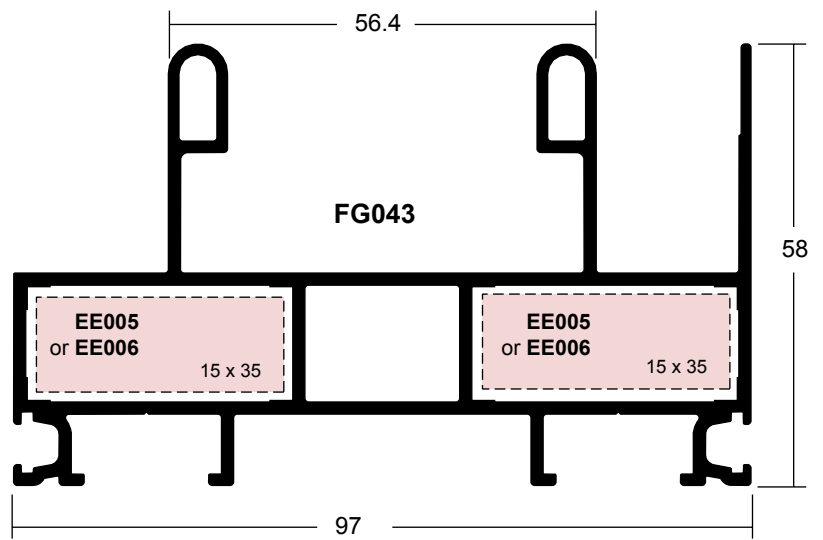
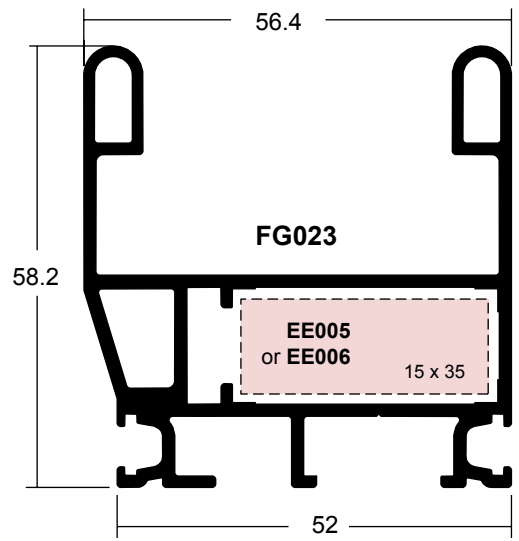
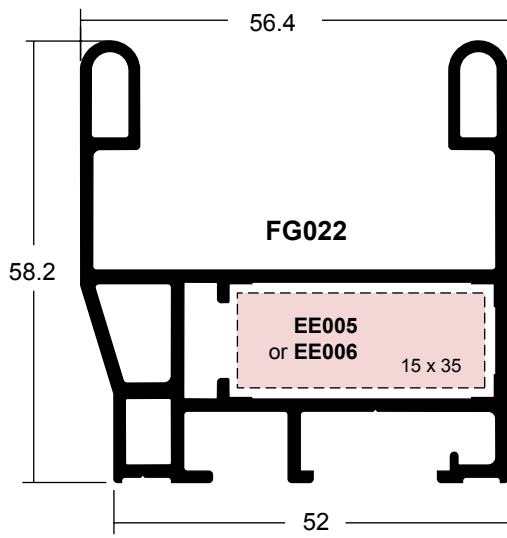
### Profile summary

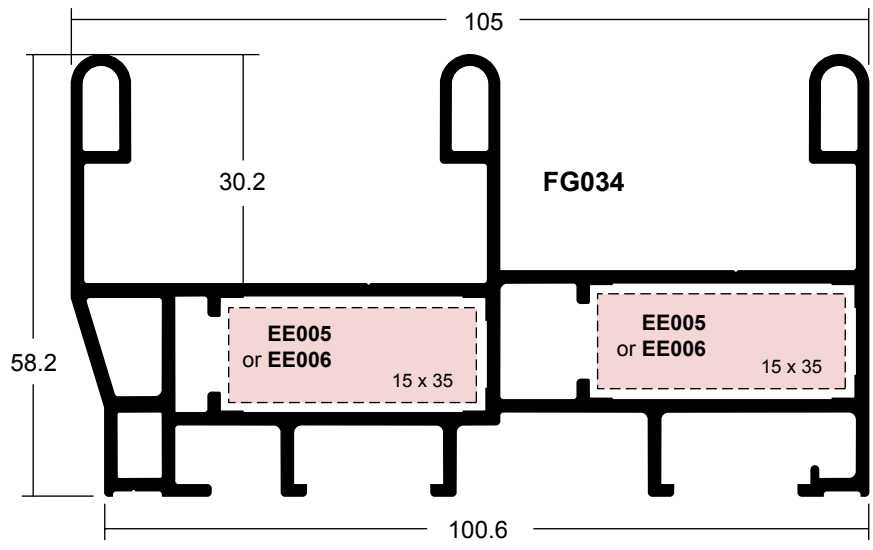
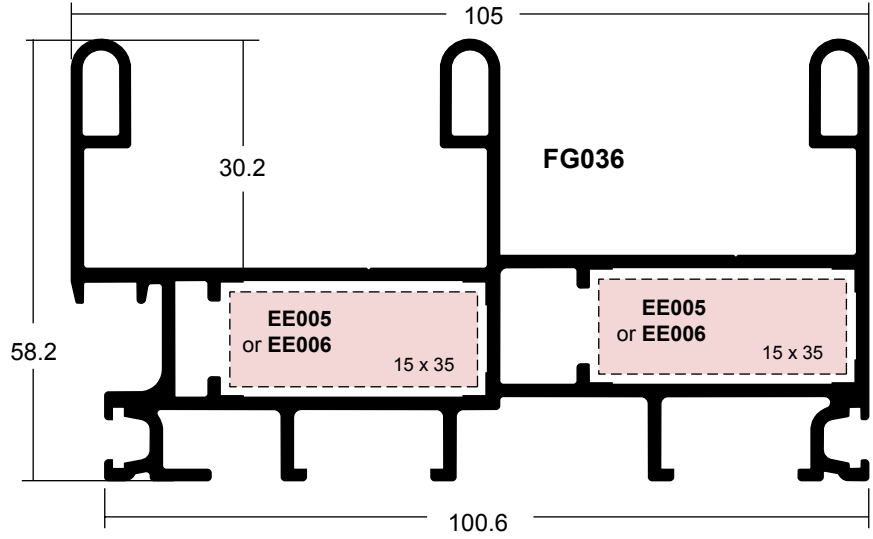


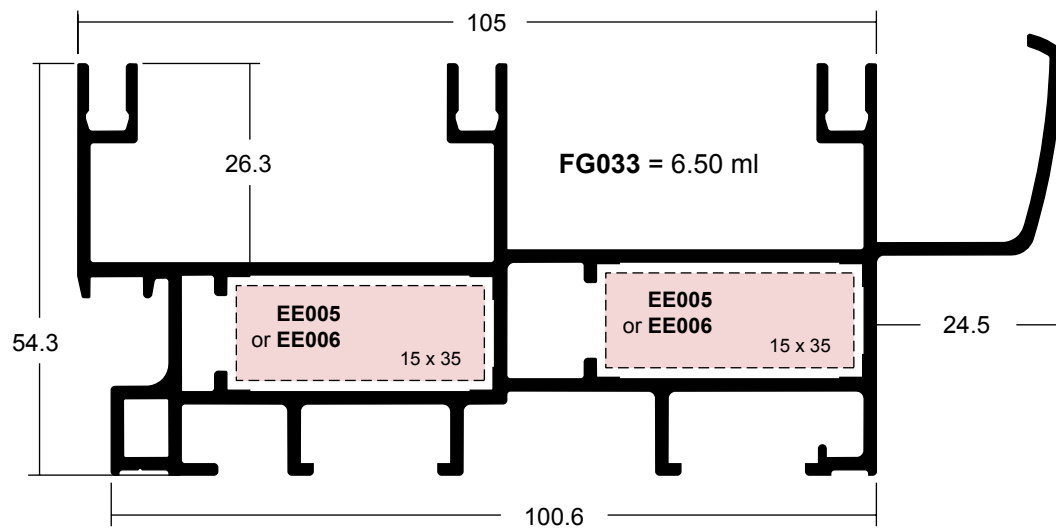
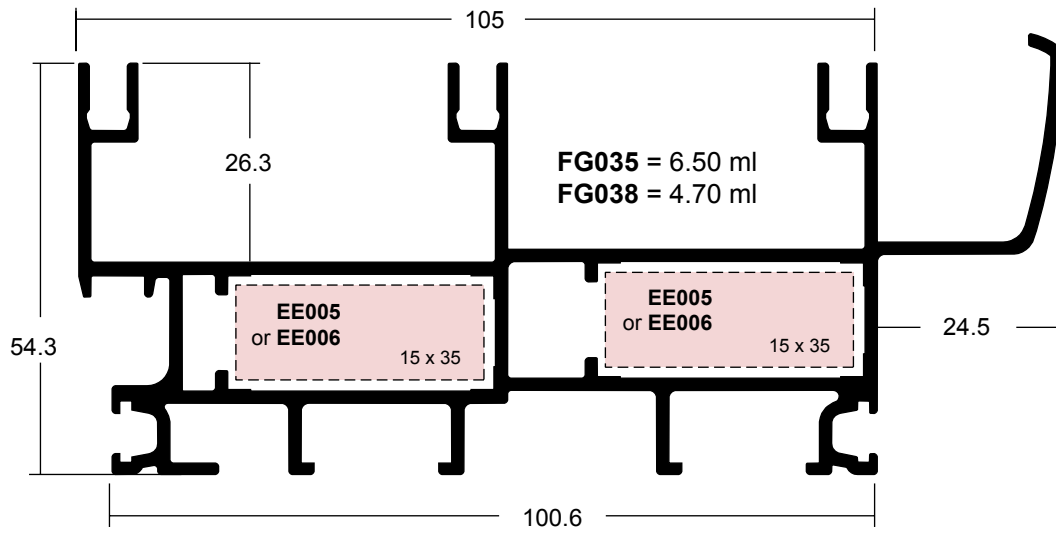


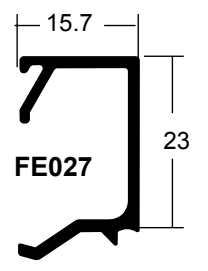
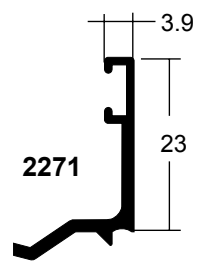
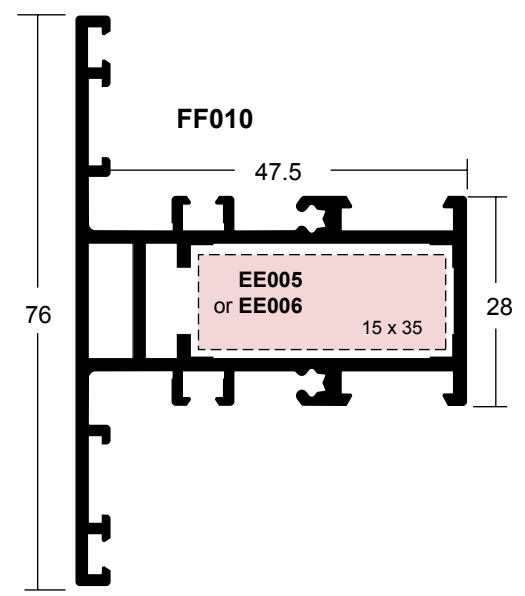
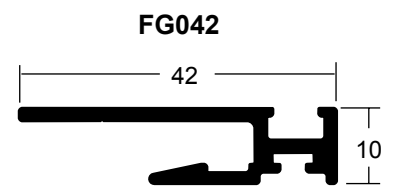
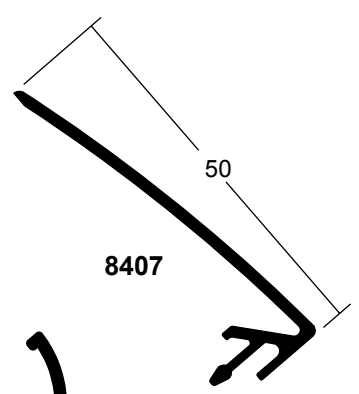
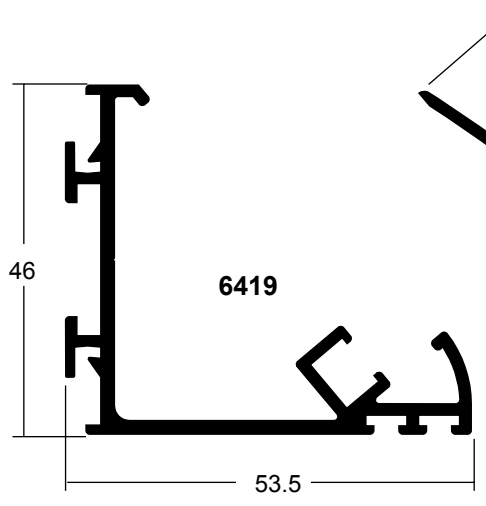
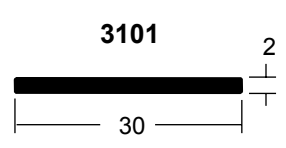
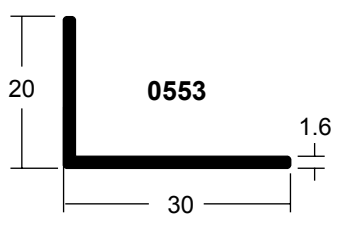




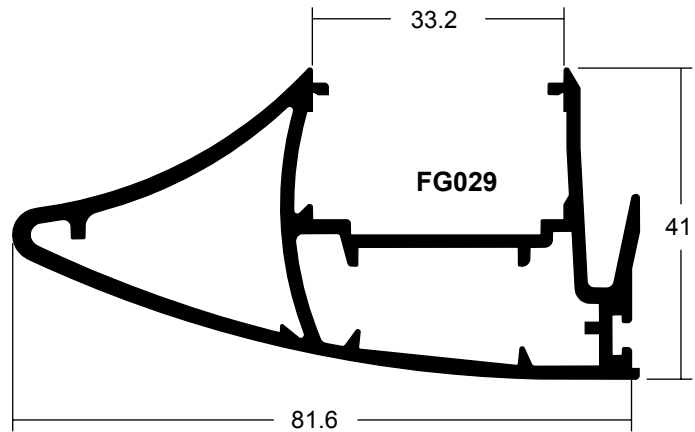
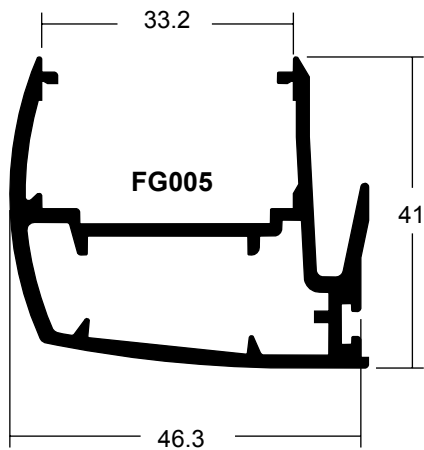
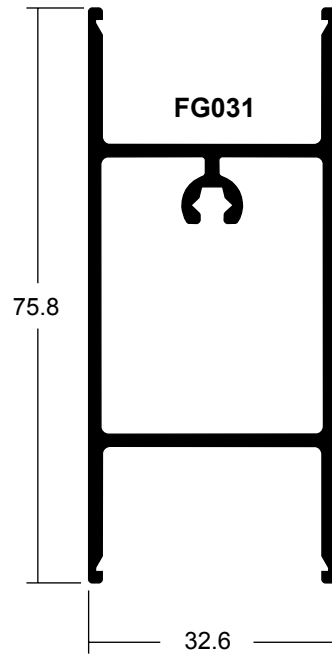
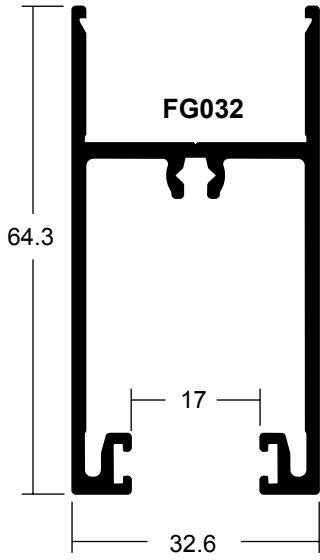
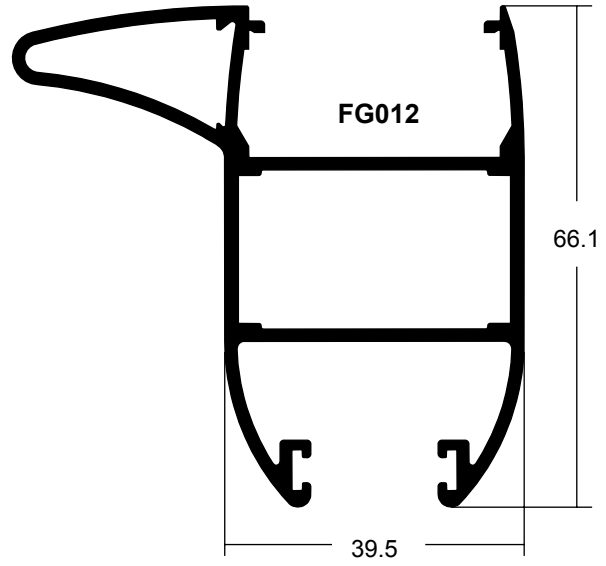
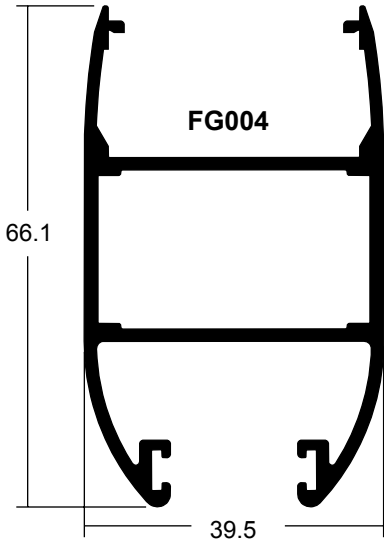


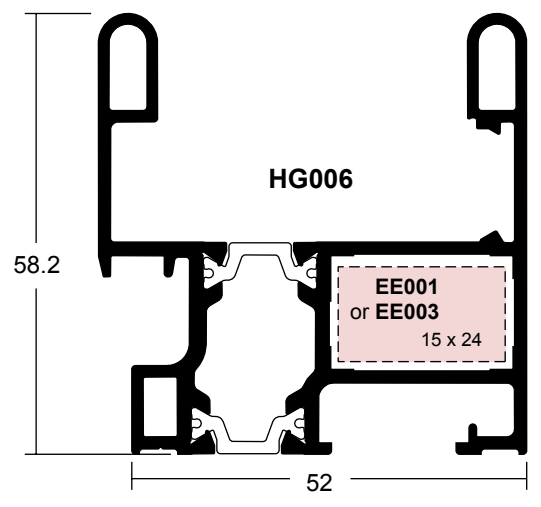
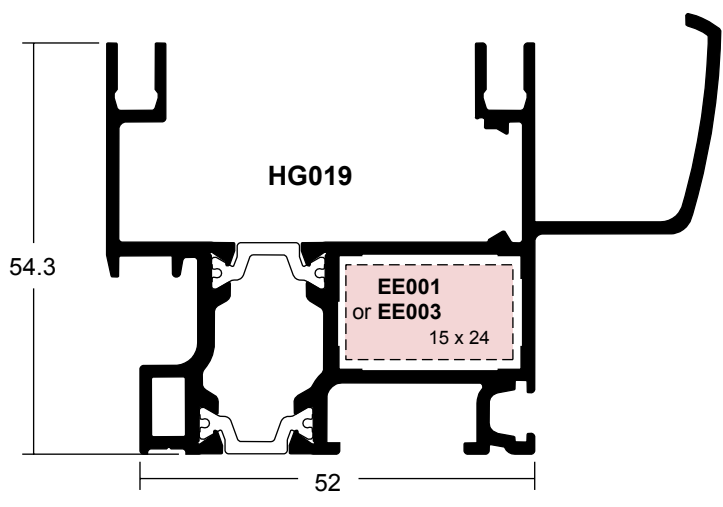
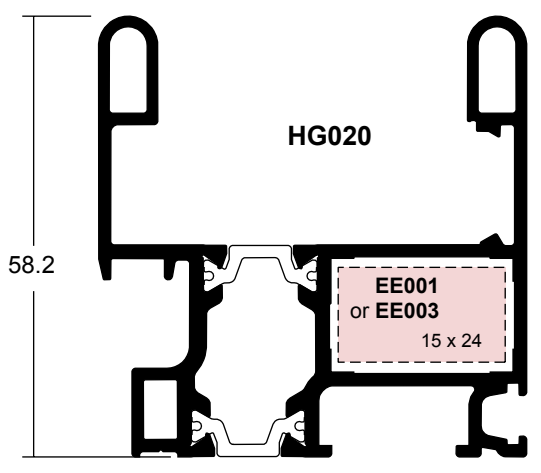
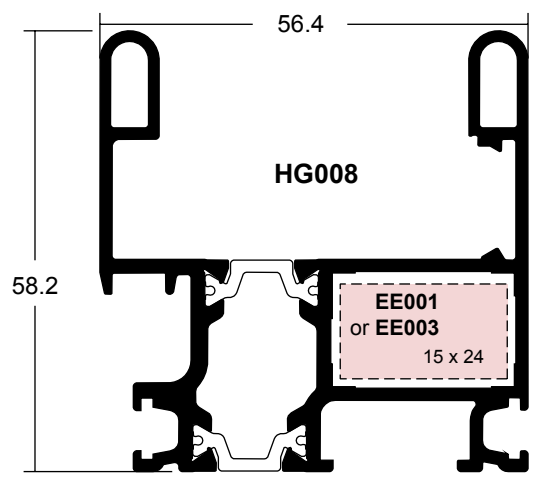
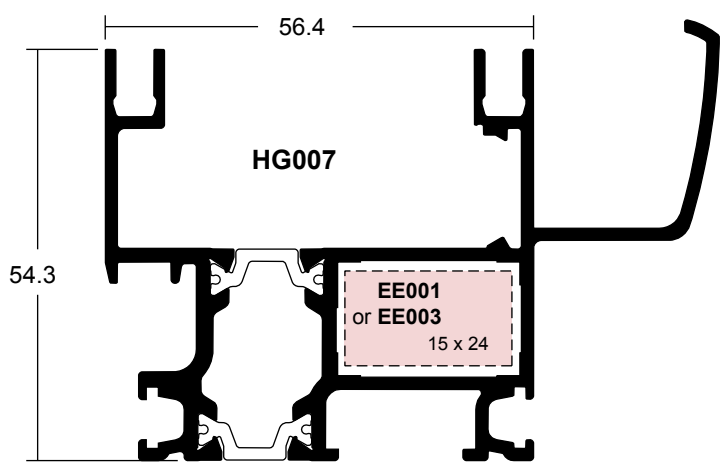


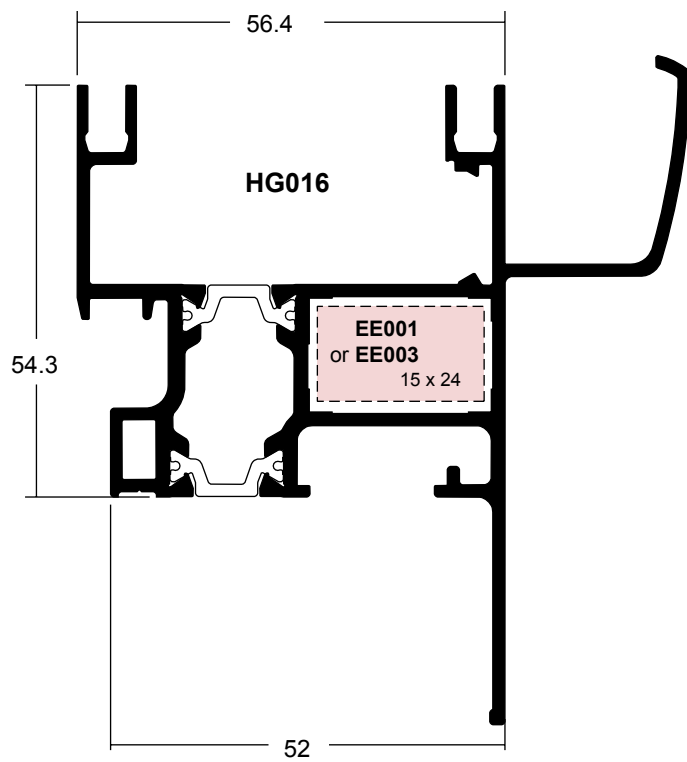
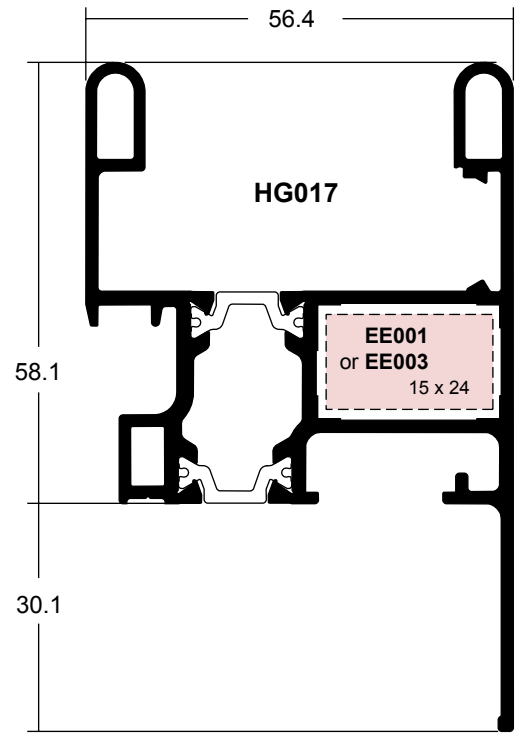
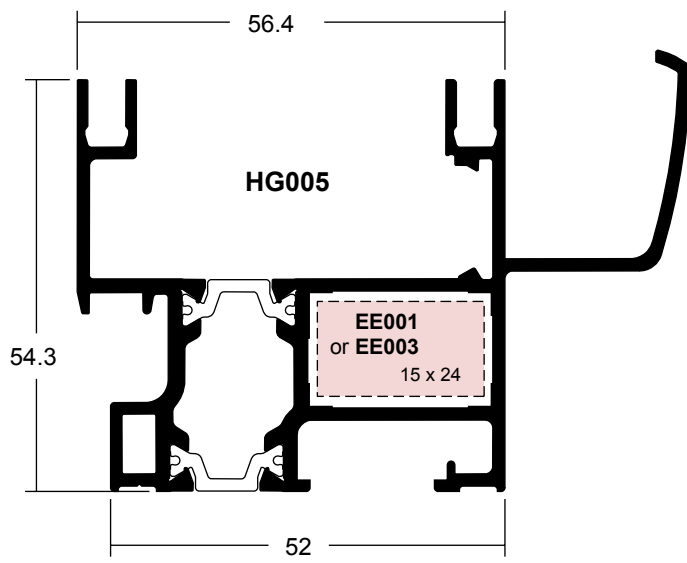




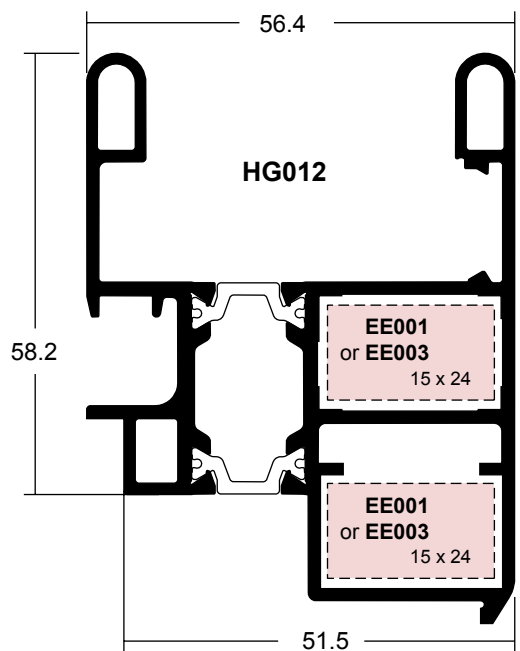
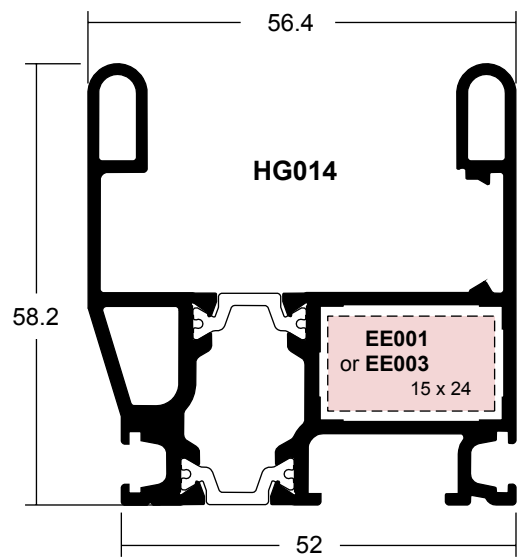
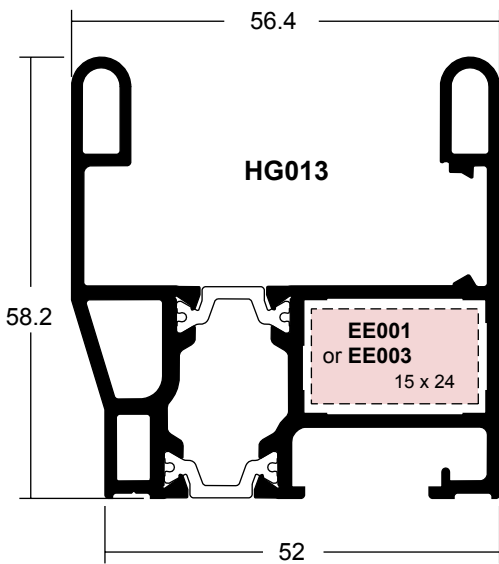
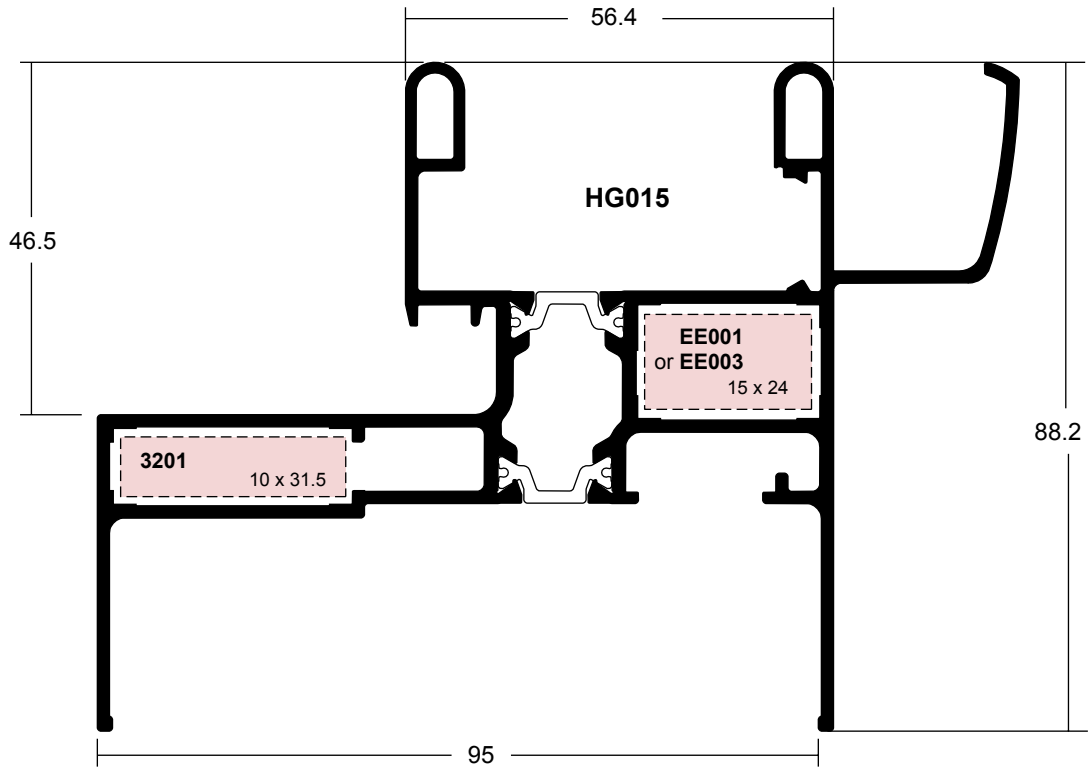
TECHNAL®

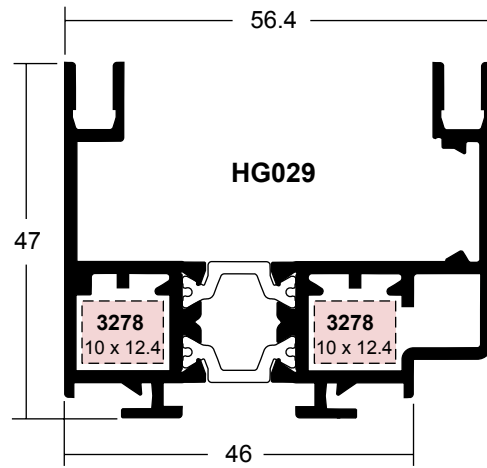
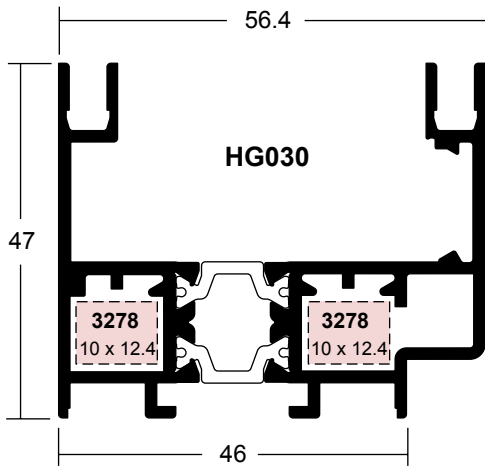
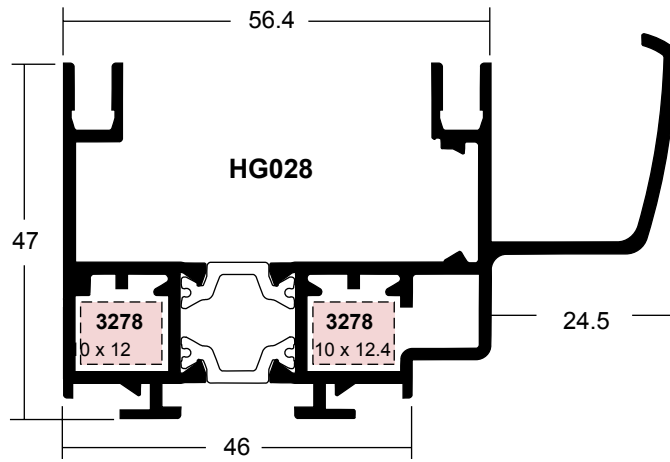


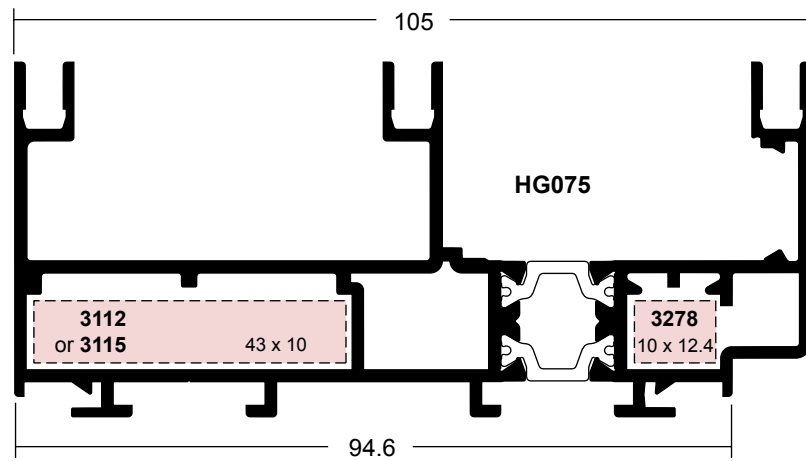
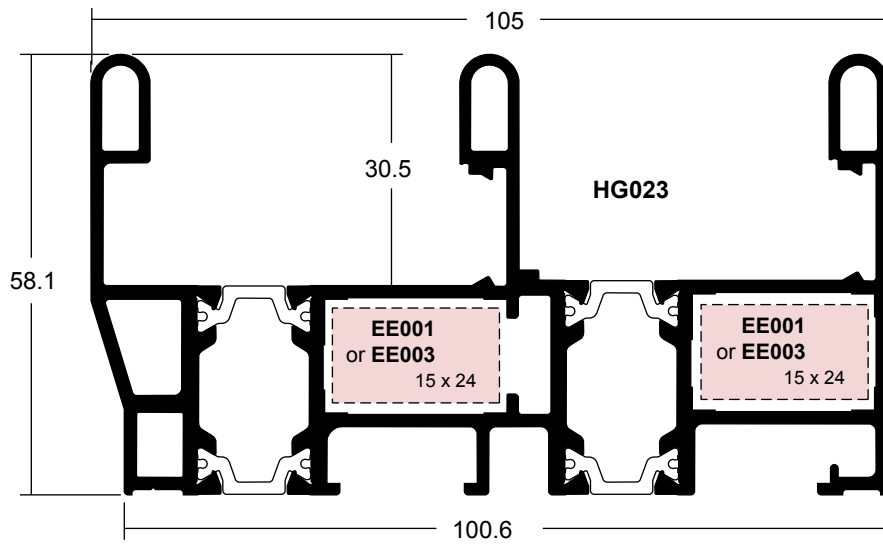
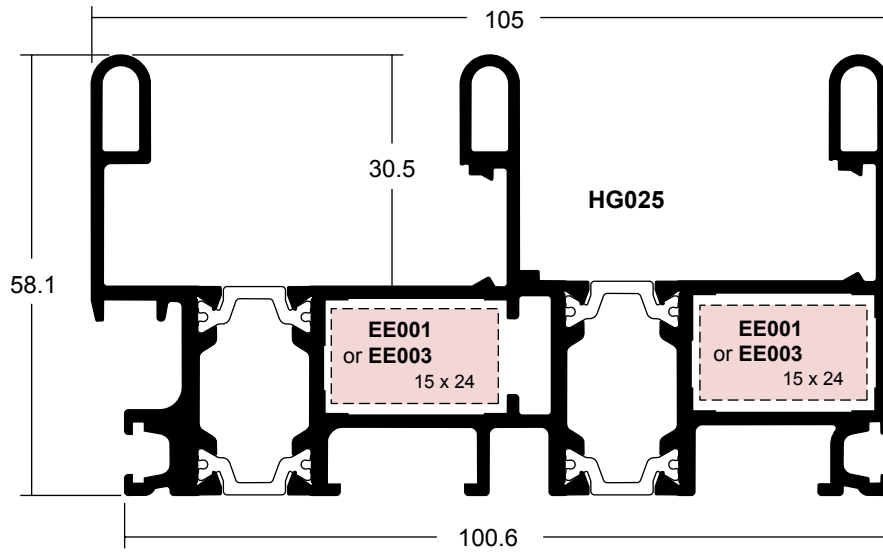


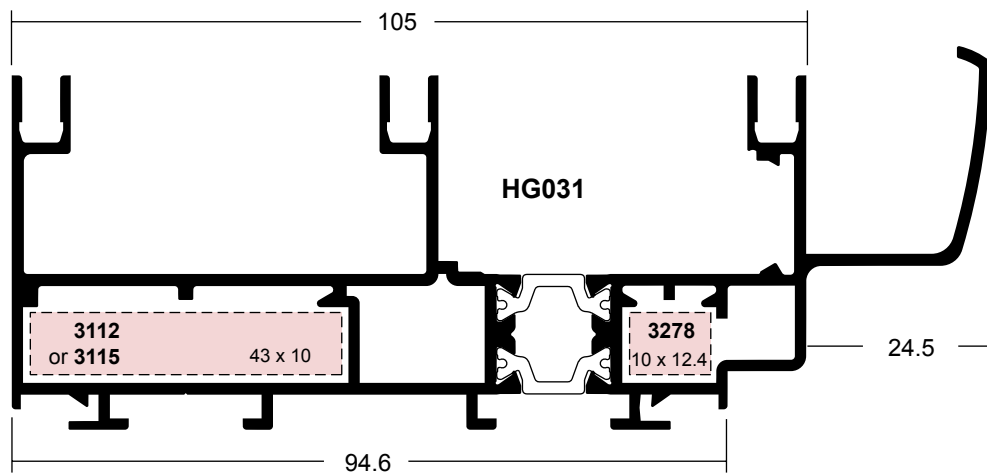
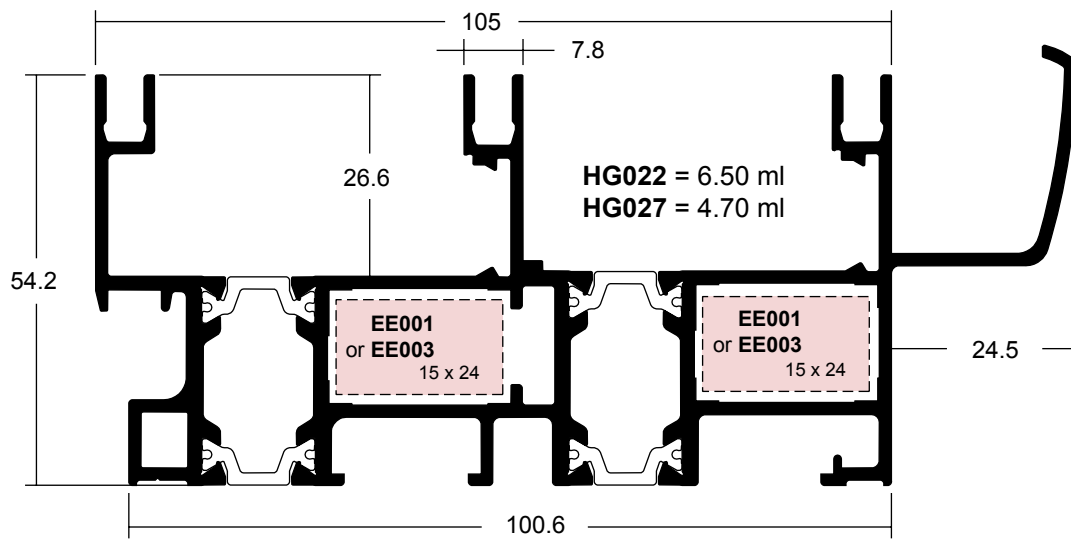
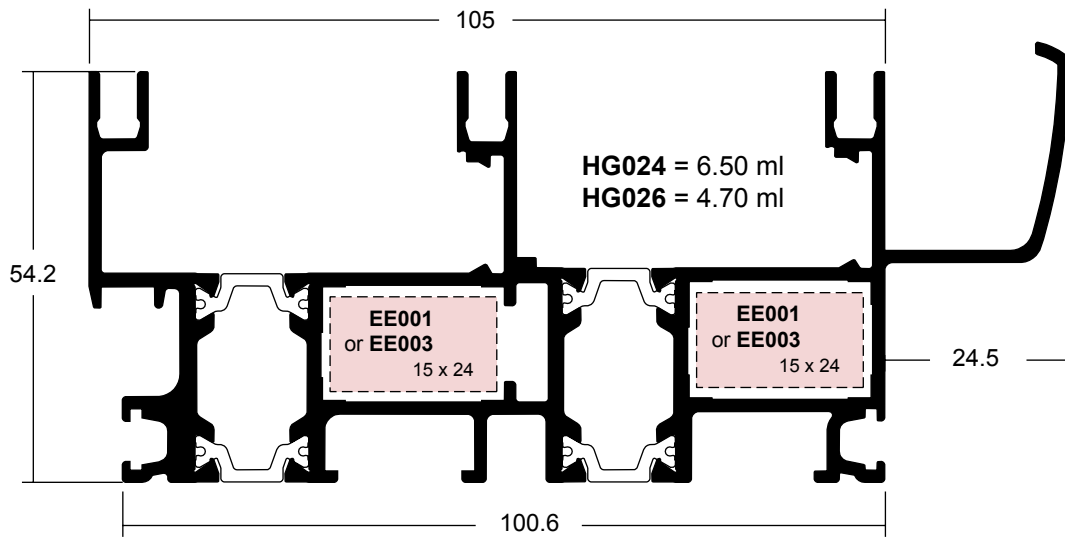


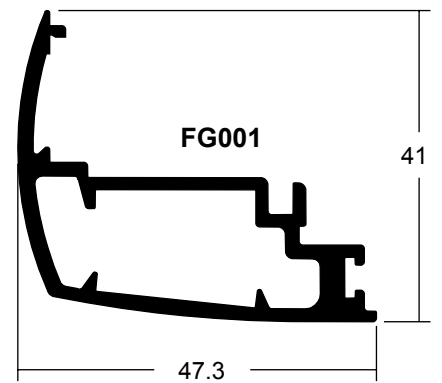
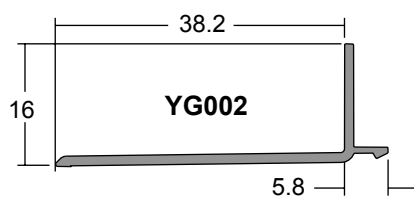
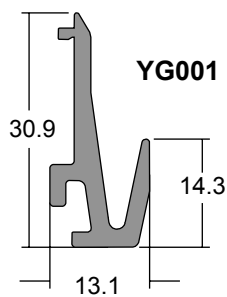
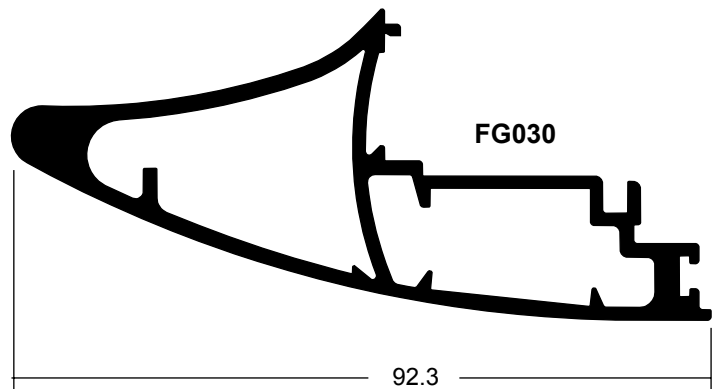
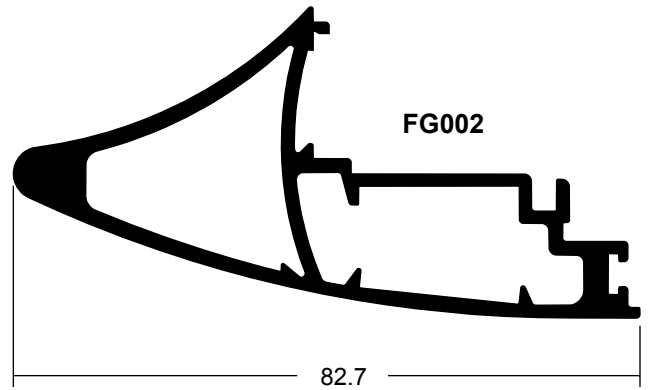
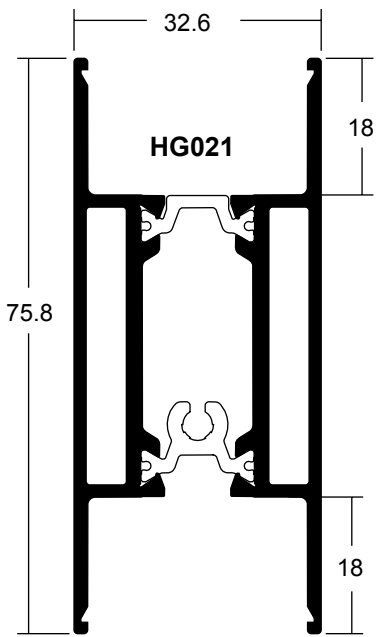
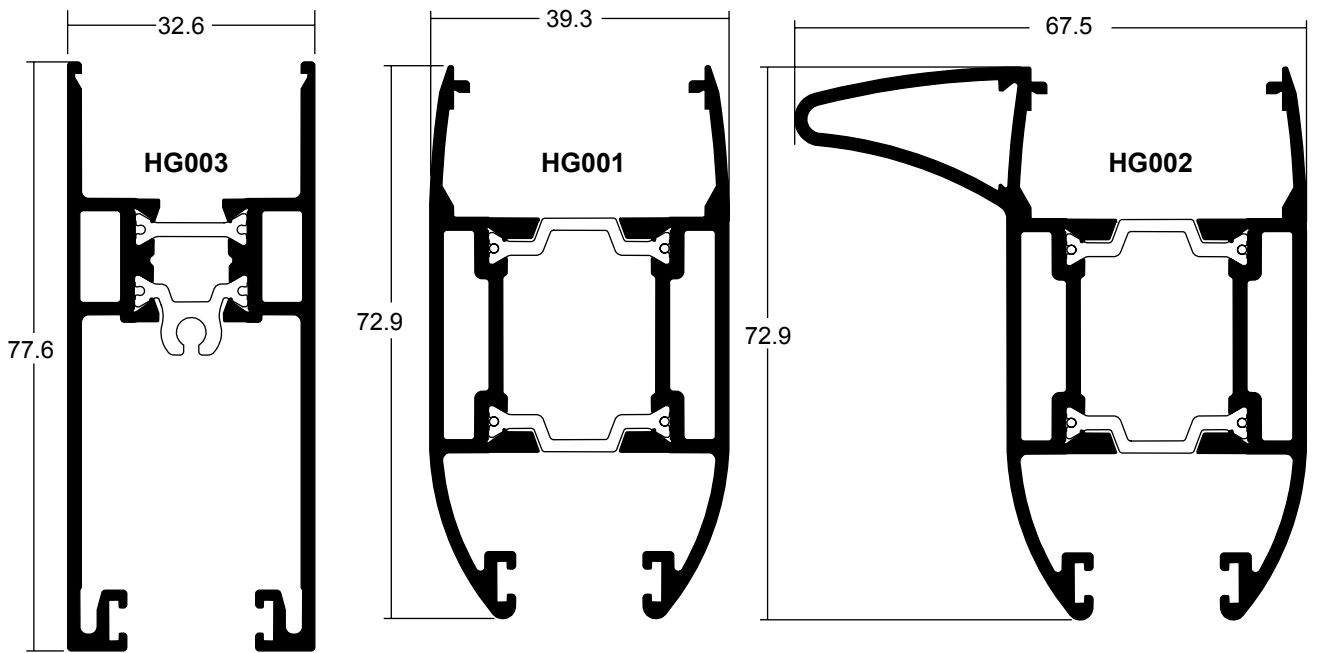




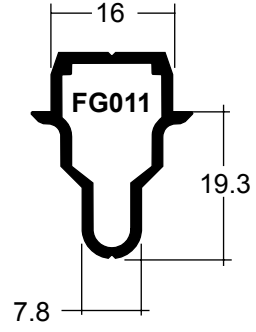
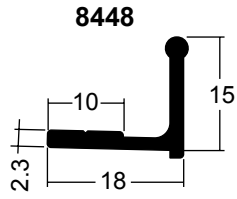




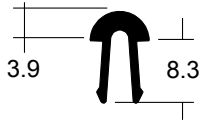




TECHNAL



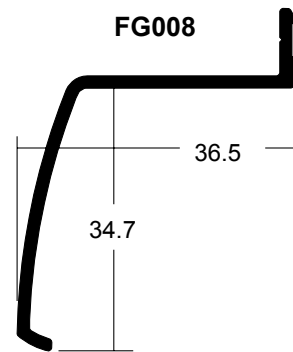
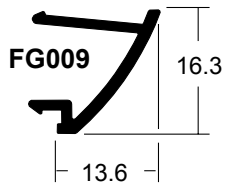
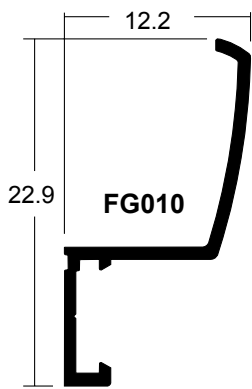
**FG003**  
aluminium

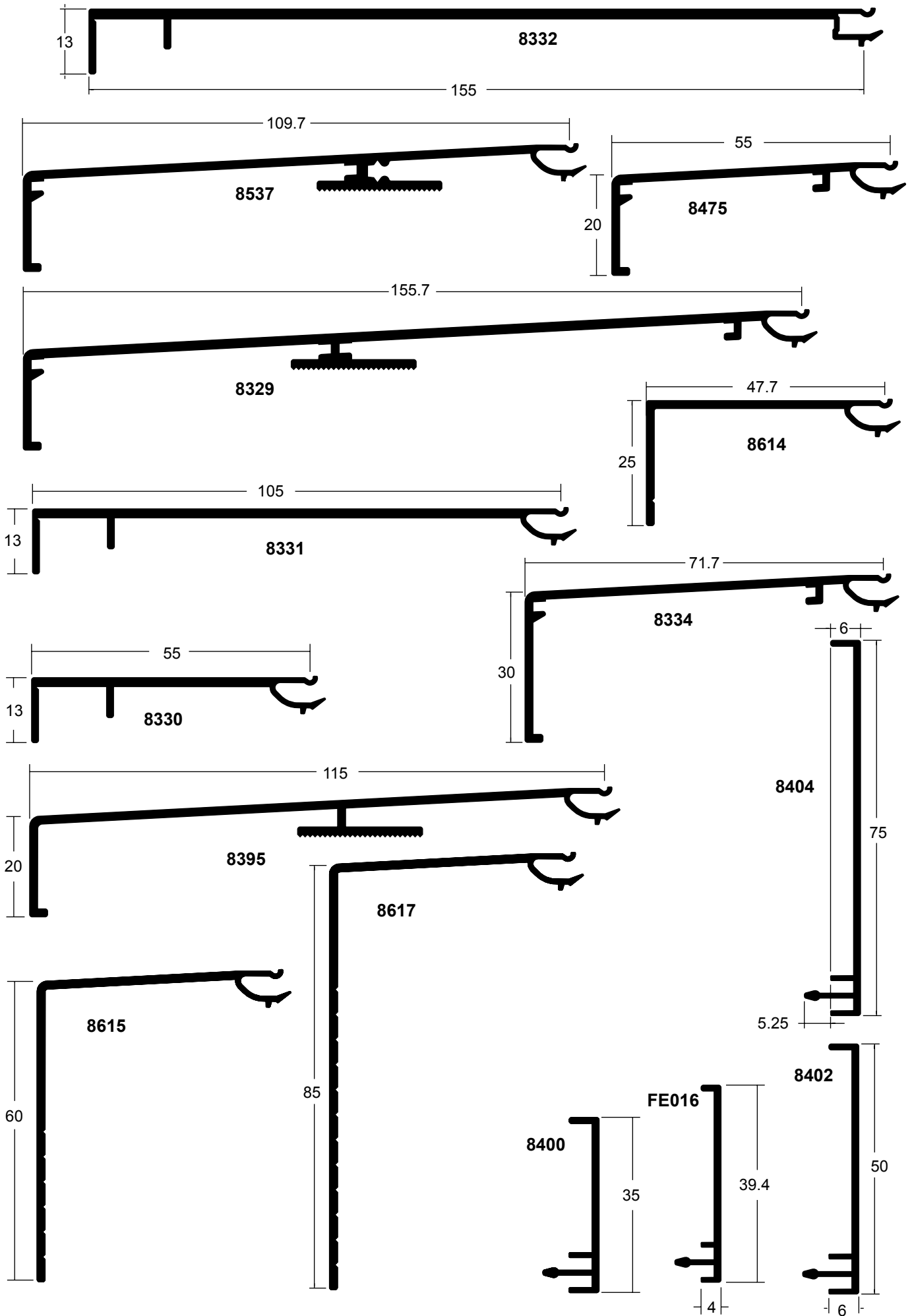


**FG007**  
polyamide

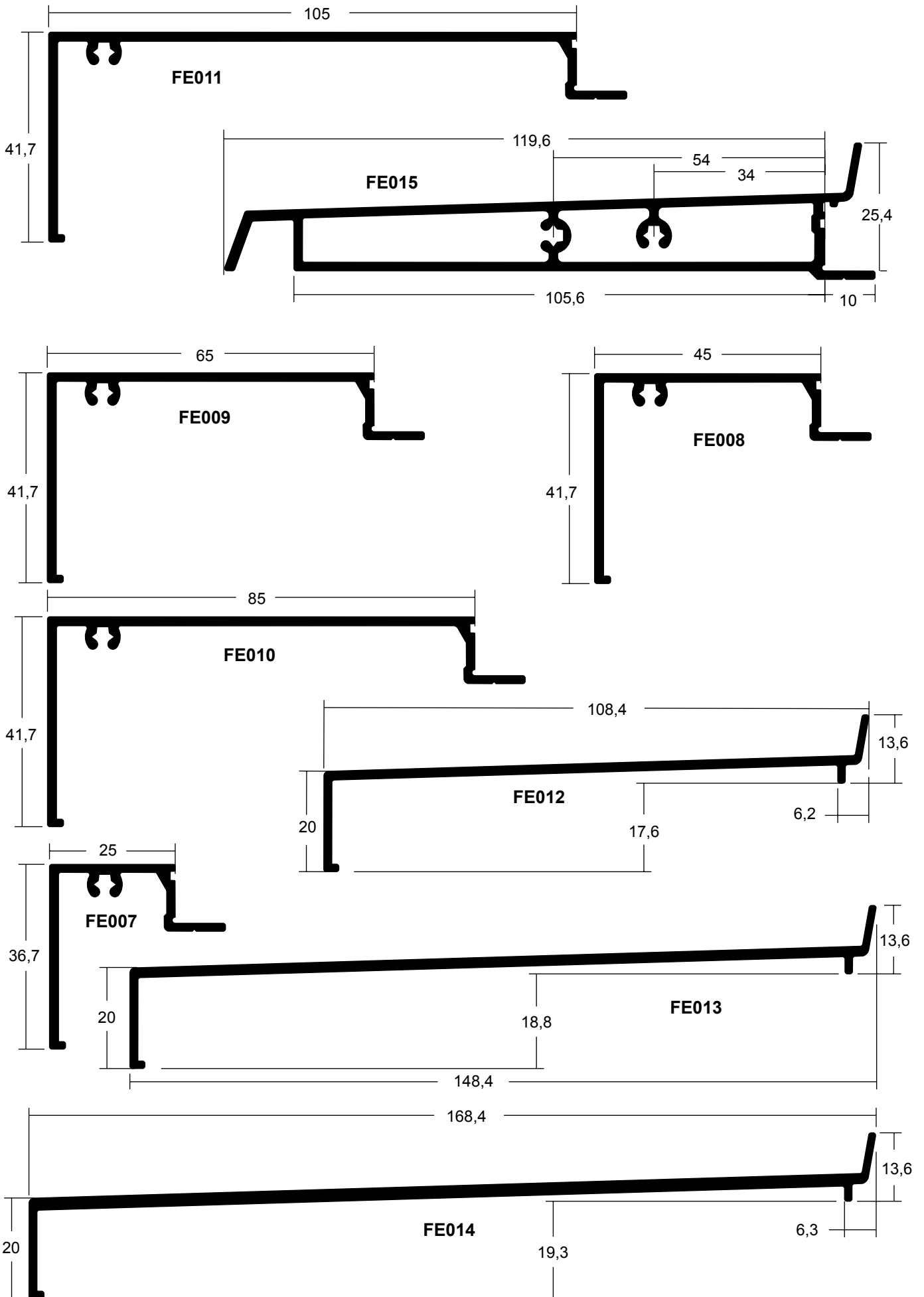


**FG006**  
stainless





TECHNAL®



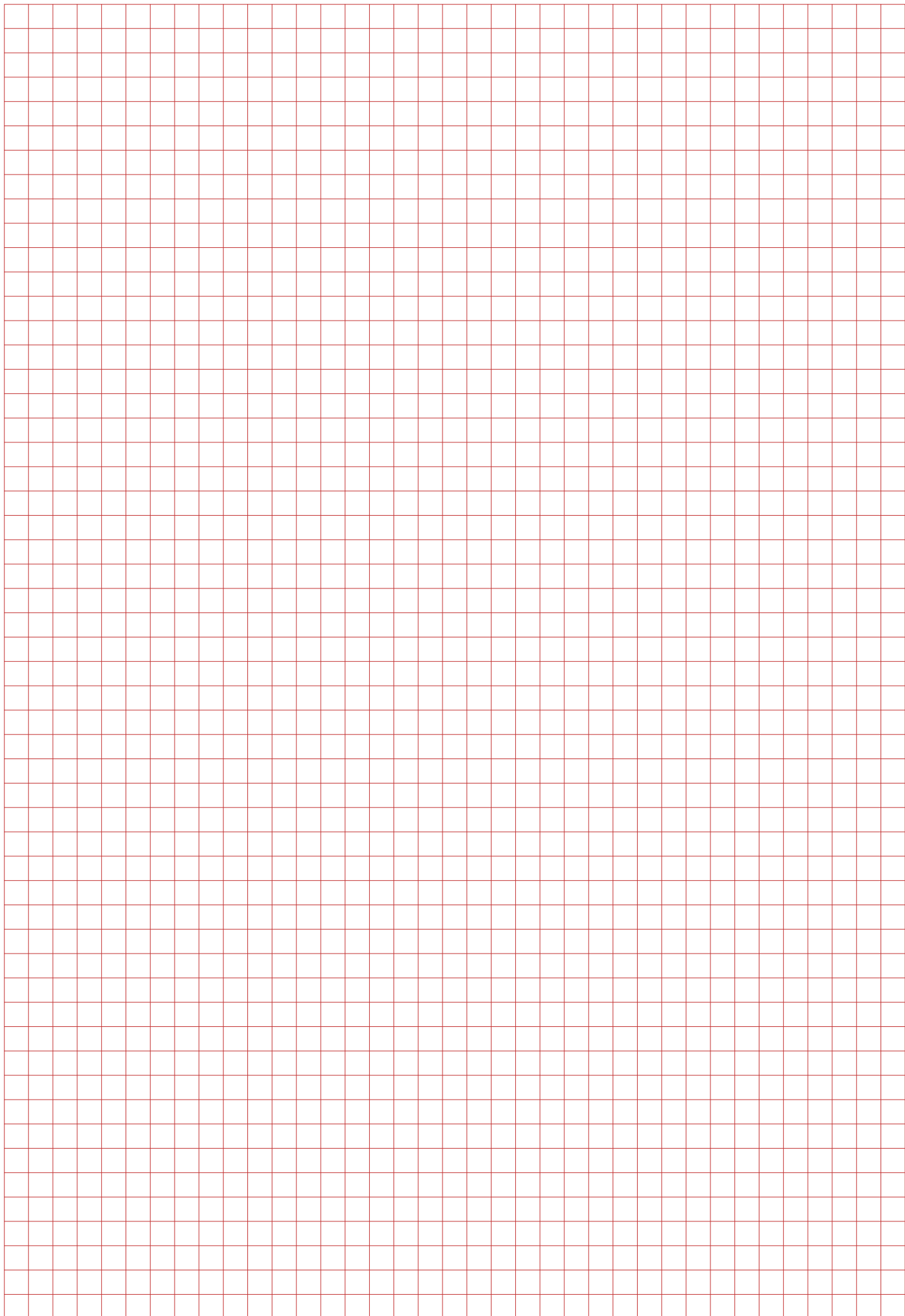


## Numerical Index

Ref.	Description	Length	Page	Ref.	Description	Length	Page
0553	Unequal I 30 x 20 x 1.6		107	CG013	Catch center punch		21-97
1112	Stainless clip		37-96	CG014	Handle lock		79-97
1168	Screw cover		96	CG015	Adjustable single roller		81-97
1311	Gasket brush		20-96	CG016	Adjustable double roller		81-97
1838	Stainless screw Ø 4.8 x 51-45 mm		21-96	CG017	Handle with thumb		78-97
1840	Screw Ø 5 x 45 mm		96	CG018	Handle		97
1841	Screw Ø 4.2 x 16 mm		37-96	CG019	Drain pipe plug		35-97
1842	Stainless screw Ø 3.9 x 16 mm		37-96	CG020	Baffle fitting		25-98
1965	Fly-screen guide		96	CG021	Stop block		47-98
2033	GX/GXi lock template		100	CG022	Central weathering plug GXi		57-98
2271	Glazing bead section		107	CG023	3 rails weathering plug GX		30-98
2564	Channeled pin Ø 6.3		96	CG024	Central weathering plug GX		21-98
2567	Pin drill		100	CG025	Transom wedges		98
3069	Rail plug		96	CG026	Lateral plug end stop		21-98
3101	Flat 30 x 2		36-107	CG028	Corner cleat GX/GXi		21-98
3111	43 x10 Self location corner cleat		96	CG029	Blocking set		98
3114	Pin corner cleat 43 x 10		96	CG030	Weathering plug		37-98
3142	60 - 80 fitting corner cleat		96	CG031	Plug		37-98
3143	100 - 140 fitting corner cleat		96	CG032	Catch		98
3144	119 - 160 fitting corner cleat		96	CG034	Central catch set		25-98
3159	Pin Ø 8		66-96	EE001	Corner cleat		35-98
3160	Catch center punch FB/GB		37-96	EE003	Corner cleat		74-98
3178	Weathering catch center punch		37-96	EE005	Corner cleat		21-98
3201	31 x 10 Crimp/pin corner cleat		96	EE006	Crimp/pin corner cleat		66-98
3225	Weathering plug		35-96	FE007	23 mm flashing		77-118
3278	Corner cleat		68-96	FE008	43 mm flashing		77-118
3312	Acoustic sliding gasket		96	FE009	63 mm flashing		77-118
3342	Milled nut for 2920		100	FE010	83 mm flashing		77-118
6419	Central rebate section		36-107	FE011	103 mm flashing		77-118
8329	Clip on sill		76-117	FE012	80-100 mm sill section		76-118
8330	Flashing section		77-117	FE013	119-140 mm sill section		76-118
8331	Flashing section		77-117	FE014	160 mm sill section		76-118
8332	Flashing section		77-117	FE015	Inside sill section		77-118
8334	71 mm sill section		76-117	FE016	39 mm architrave		77-117
8395	114 mm flashing section		76-117	FE027	Glazing bead		107
8400	Architrave 35 mm		77-117	FF010	Mullion section		107
8402	Architrave 50 mm		77-117	FG001	Central upright		48-115
8404	Architrave 75 mm		77-117	FG002	Reinforced central upright		48-115
8448	Track for fly screen		116	FG003	GX-GXi track		20-116
8475	55 mm flashing section		76-117	FG004	Lateral upright		20-108
8537	FX 108 mm sill		76-117	FG005	Central upright		20-108
8614	Clip-on cover section 25 mm		76-117	FG006	Stainless roller track		75-116
8615	Clip-on cover section 60 mm		76-117	FG007	Plastic track		116
8617	Sill section 85 mm		76-117	FG008	Weather bar		67-116
CE001	Insulating plug 80 mm		96	FG009	Drain pipe clip section		75-116
CE002	Insulating plug 100 mm		96	FG010	Drain pipe		116
CE003	Insulating plug 119 mm		97	FG011	Baffle section		24-116
CE004	Insulating plug 140 mm		97	FG012	Reinforced lateral stile		22-108
CE005	Insulating plug 160 mm		97	FG013	Fixed frame		20-102
CE006	Jack		97	FG014	Fixed frame		20-102
CF005	Double glazing wedge		97	FG016	Fixed frame w/o groove		63-103
CG001	Lateral plug set		48-97	FG017	Fixed frame w/o groove		63-102
CG002	Central plugs		21-97	FG022	Design fixed frame w/o groove		62-104
CG003	Central guide		21-97	FG023	Design fixed frame		63-104
CG004	Half-moon semi-auto lock		21-97	FG024	Opened fixed frame with architrave		63-103
CG005	Cover		49-97	FG025	Frame section		63-103
CG006	Cover		97	FG029	Fixed frame for compositions		22-108
CG007	Drain pipe plug set		21-97	FG030	Central upright		115
CG008	Weathering plug GXi		35-97	FG031	Transom		80-108
CG009	GX-GXi catch center plunch		21-97	FG032	Transom		20-108
CG010	Single roller		21-97	FG033	3 tracks fixed frame section		64-106
CG011	Double roller		23-97	FG034	3 tracks fixed frame w/o groove		62-105
CG012	Catch		21-97	FG035	3 tracks fixed frame section		30-106

Ref.	Description	Page
8407	50 mm Architrave	36-105
FG036	3 tracks fixed frame	30-105
FG038	3 tracks fixed frame	64-106
FG039	1 track section	65-101
FG040	1 track section	36-101
FG041	1 track section	36-101
FG042	Baffle section	36-107
FG043	2 tracks section	46-104
HG001	Lateral upright	48-115
HG002	Reinforced lateral up right	48-115
HG003	GXi transom	54-115
HG005	GXi fixed frame section	70-110
HG006	GXi fixed frame section	70-109
HG007	Opened fixed frame	48-109
HG008	Fixed frame section	48-109
HG012	GXi-FXi opened fixed frame	34-111
HG013	Design fixed frame	69-111
HG014	Design fixed frame	70-111
HG015	100 mm peripheral suframe section	71-111
HG016	Opened fixed frame	71-110
HG017	Fixed frame	71-110
HG019	Opened fixed frame for flashing	70-109
HG020	Fixed frame for flashing	70-109
HG021	Intermediate transom	80-115
HG022	3tracks fixed frame	72-114
HG023	3 tracks fixed frame	72-113
HG024	3 tracks fixed frame	56-114
HG025	3 tracks fixed frame	56-113
HG026	3 tracks fixed frame	72-114
HG027	3 tracks fixed frame	72-114
HG028	2 tracks section	70-112
HG029	2 opened tracks section	67-112
HG030	3 tracks section	70-112
HG031	3 tracks section	72-114
HG075	3 tracks GXi frame section	72-113
JE001	20 mm glazing gasket	20-98
JE002	6 mm glazing gasket	83-98
JE003	8 mm glazing gasket	83-98
JE004	10 mm glazing gasket	83-98
JE005	12 mm glazing gasket	83-98
JE006	14 mm glazing gasket	83-98
JE007	16 mm glazing gasket	83-98
JE009	22 mm glazing gasket	83-99
JE010	24 mm glazing gasket	83-99
JF002	Gasket	99
JF005	7 mm inside glazing gasket	99
KG001	Lock	21-99
KG002	Thumb pull	78-99
KG003	Thumb lock	78-99
KG004	Thumb lock/handle with key	78-99
KG006	Thumb lock	78-99
KG007	Automatic thumb lock	78-99
KG008	Lock	99
KG009	2 points lock plate	79-99
KG011	Lock set	82-99
KG012	4 points end section	79-99
OE001	Drill	100
OE002	Key for jack	100
OF001	Corner cleat Perfopack tool	100
OF601	Template (FX/FXi corner cleat)	100
OG001	Perfopack (drainage)	100
OG002	GX/GXi Perfopack opening section	100
OG003	Perfopack tool for lock	100

Ref.	Description	Page
VE003	Screw	99
VE015	Self drilling screw	35-99
VE119	Sheet screw	99
W109	Small joint sealant	100
W111	Silicone sealant bronze	100
W114	Silicone sealant white	100
W117	Silicone cartridge	100
W202	Glue for EPDM plugs	100
YG001	Baffle section	34-115
YG002	GXi fixed frame shield	48-115





© - 3<sup>rd</sup> Quarter 2005 - Document n° 4656.002

*All reproduction, translation and adaptation reserved for all countries. The law of March 11 1957 prohibits the copy or reproduction, for use other than limited to private use of the copier. Any reproduction made in whole or in part in any form without the agreement of the author is illegal and constitutes infringement of copyright sanctioned by clauses 425 onwards of the penal code.*